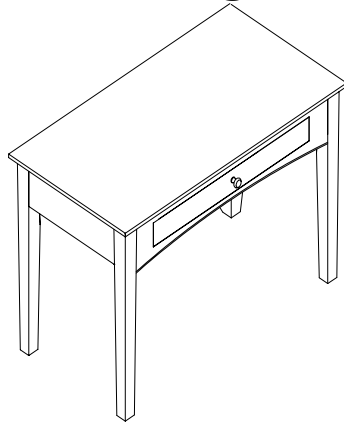


# Alaterre Furniture

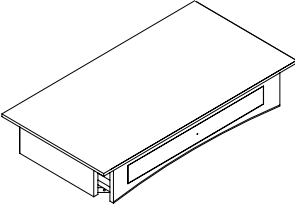
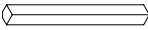
## Shaker Cottage Desk




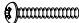
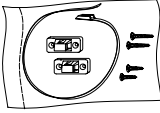


Thank you for purchasing our Shaker Cottage Desk. Assembly of this product requires a screwdriver. **We have found it helpful to have a second person present in at least one step of the assembly.**

### Desk Assembly Instructions

Lay out all parts on a "non-abrasive" surface to avoid scratching furniture.

NO.	DRAWING	DESCRIPTION	Q'TY
A		Top Unit	1
B		Legs	4

NO.	DRAWING	DESCRIPTION	Q'TY
C		Hexagonal Bolt	8
D		Allen Wrench	1
E		Knob	1
F		Knob Screw	1
G		Anti-Tip Bag	1

---

## PARTS

### Step 1

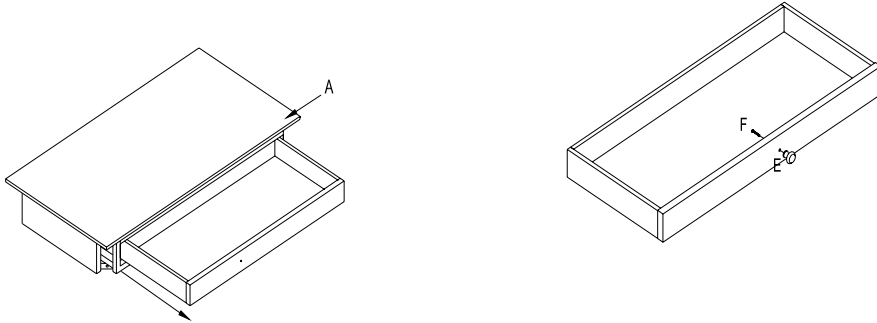
Read through these instructions thoroughly before beginning assembly. We have found this to be of great value when first assembling this product.

### Step 2

Remove all parts and hardware from packing material. Wooden pieces should be placed on a non-abrasive surface (like the carton or carpet) to prevent damage to the finish.

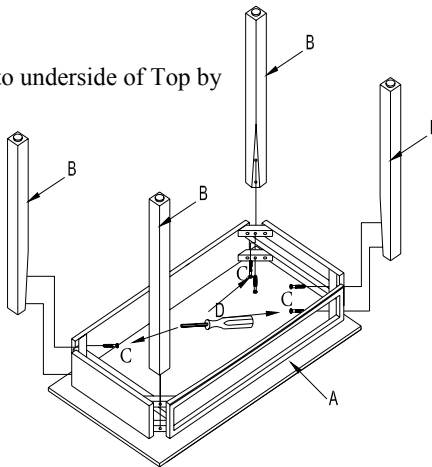
### Step 3

Remove drawer from Top Unit (A) and attach Knob (E) with Knob Screw (F).



### Step 4

Lay Top Unit (A) upside down and attach Posts (B) to underside of Top by using 8 Hexagonal Bolts (C), tighten thoroughly.



### Step 5

Turn table right-side up and insert drawer, level as needed.

---

## CARE

Clean with mild soap and wipe dry.

---

## REPLACEMENT PARTS

Please do not contact the company you purchased from as we can help you faster.

Order replacement parts and hardware at "[alaterrefurniture.com](http://alaterrefurniture.com)"