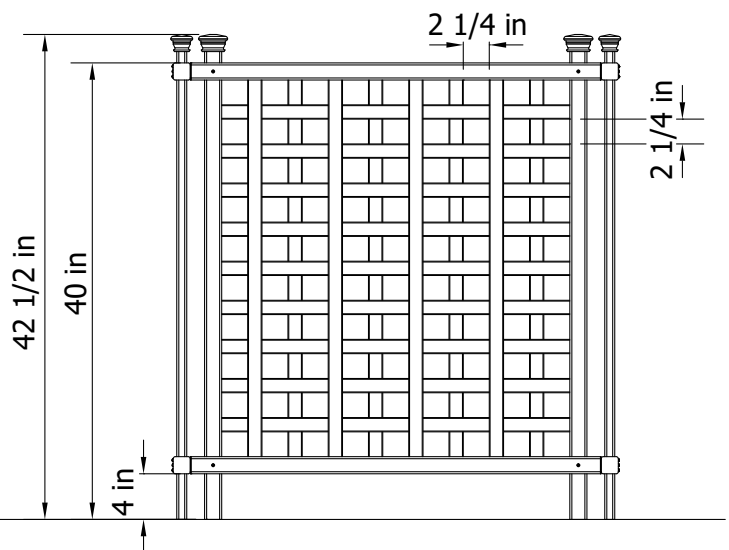
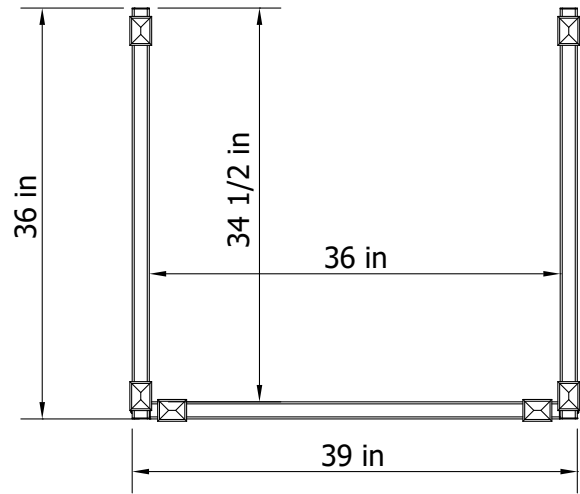
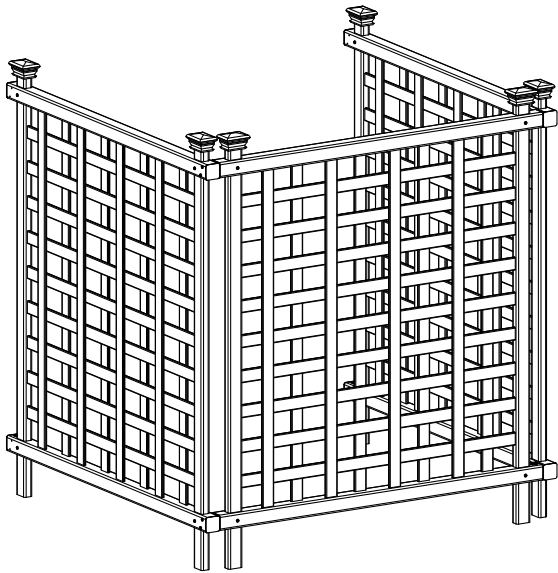


LINE DRAWINGS

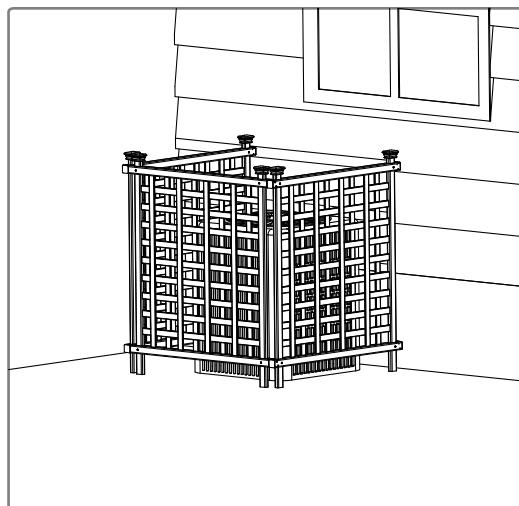
Liberty Lattice AC Screen Kit (36inW x 42inH)



ZIPPITY
Easy Does It!



**Carefully measure your AC unit's width prior to purchasing this unit*



** This screen is only to be installed in the U-shape configuration shown. The panels are not designed to be installed separate from each other.*