

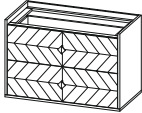
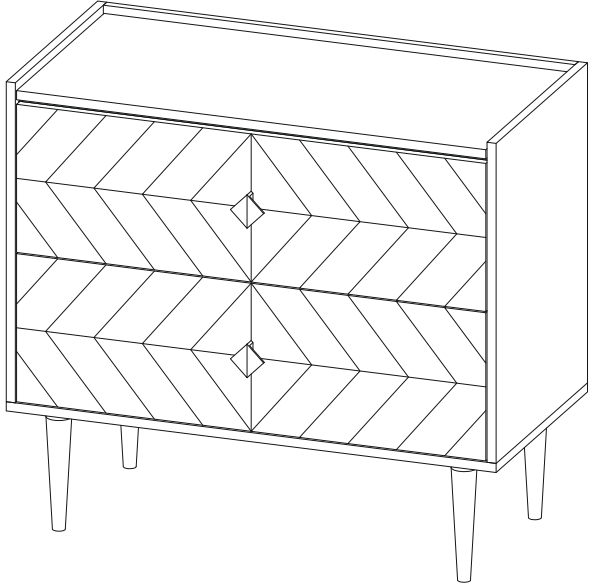





CARE AND MAINTENANCE

Spot clean using a mild water-free solvent. Only a professional cleaner should undertake a complete overall cleaning.
The use of steam or water-based cleaners may cause excessive shrinking or staining.

NOTICE

- * Please make sure that you have all parts indicated before you begin assembly of this item
- * This item should be assembled on a soft surface to prevent scratching the finish during assembly
- * This item may require periodic tightening

SAFAVIEH C O U T U R E

PIECE	DESCRIPTION	PICTURE	QUANTITY	
A	Cabinet		1X	<p>Item# SFV5739A Product dimensions: 31.8W* 15.7"D*29"H</p>  <p>⚠ WARNING ⚠ Weight Capacity - 220 LBS Warning : Do not stand on Chest Warning : Do not over torque bolts.</p>
B	Leg		2X	
C	Marble		1X	
HW1	Allen bolt 25x6 mm		6X	
HW2	Flat washer 16 mm		6X	
HW3	Allen key 4 mm		1X	

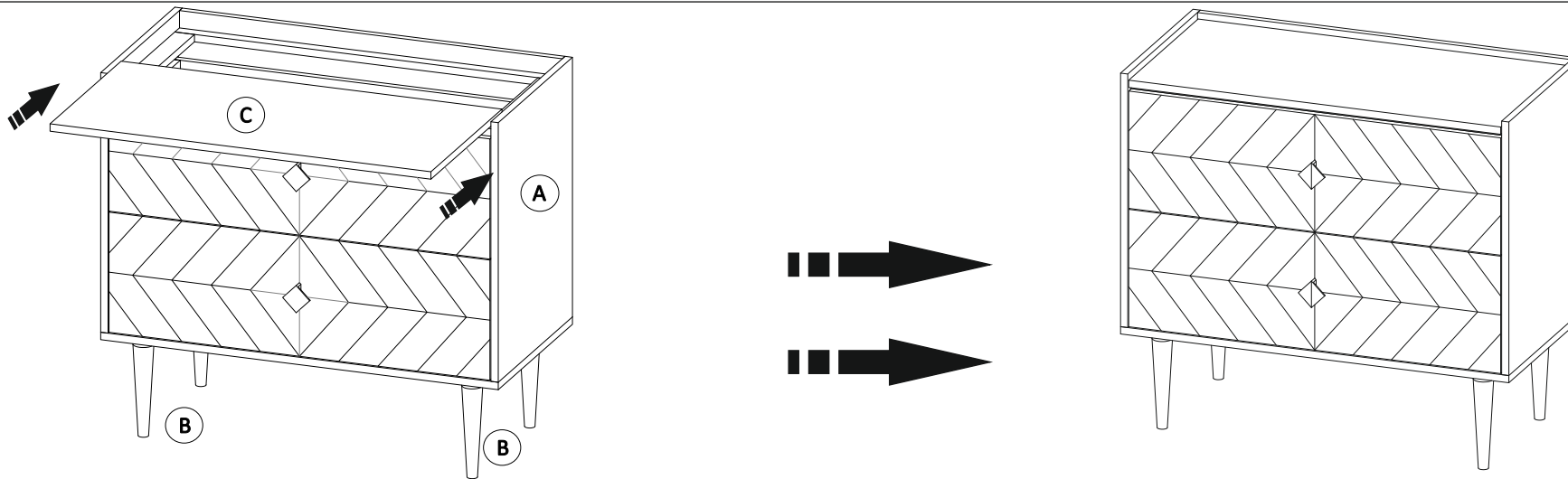
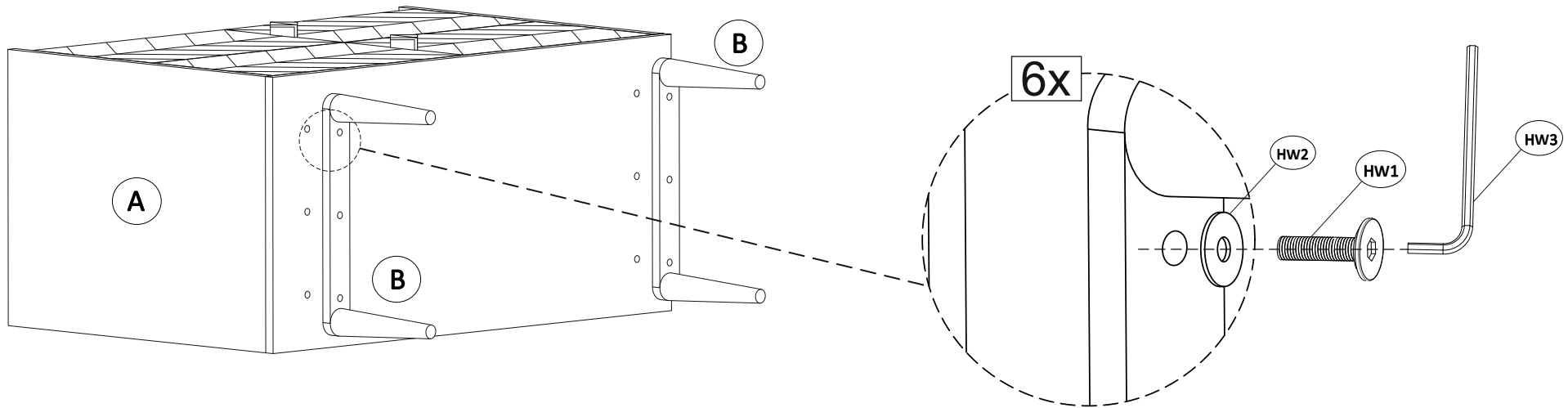
The legs and hardware are located inside the door

PREPARATION

Before beginning assembly of product, make sure all parts are present. Compare parts with package contents list and hardware contents list. If any part is missing or damaged, do not attempt to assemble the product.

Estimated Assembly Time: 15 minutes.

Tools Required for Assembly (included): Allen Key



STEP1 OPEN THE ZIPPER ON THE INSIDE OF THE DOOR AND TAKE OUT LEGS AND HARDWARE.

STEP2 PLACE THE CHEST (A) UPSIDE DOWN AS SHOWN.

STEP3 ALIGN THE LEGS (B) WITH THE POSITION ON THE BOTTOM OF CHEST (A).

STEP4 INSERT ALLEN BOLT (HW1) WITH WASHER (HW2) AND TIGHTEN WITH ALLEN KEY (HW3).

STEP5 FLIP THE CHEST UPSIDE.

STEP6 PLACE THE MARBLE GENTLY AS SHOWN.

The legs and hardware are located inside the door