

71"

Item Number:

202-V71-ENB-GB

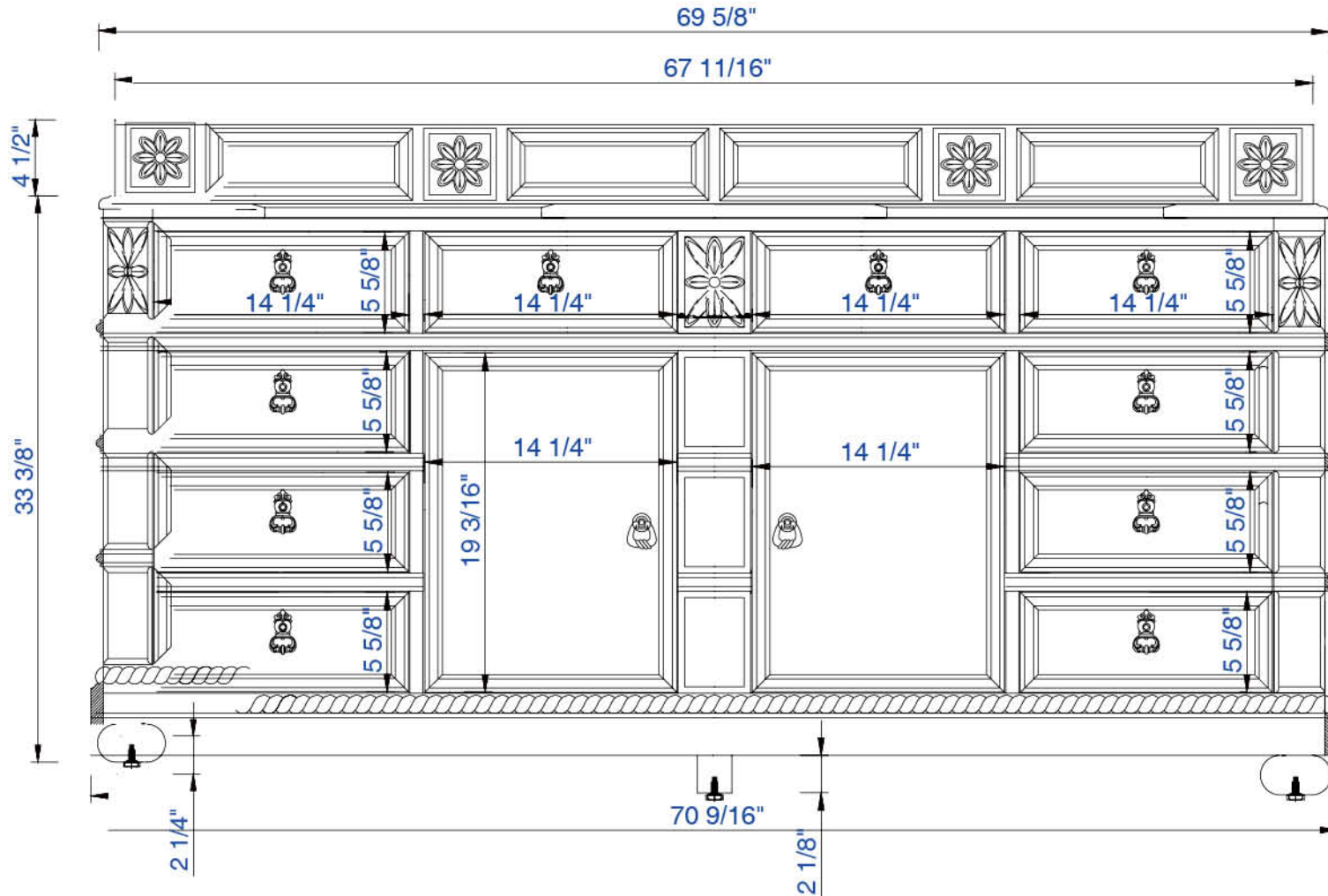
JAMES MARTIN



VANITIES

Regent 71" Cabinet

Diagrams with Dimensions
page 01 of 03



NOTE ONE: Married Countertop is standard for this cabinet

NOTE TWO: Wood Backsplash (Shown) is designed for the molding detail to align with sinks in James Martin's Optional Countertops.

71"

Item Number:

202-V71-ENB-GB

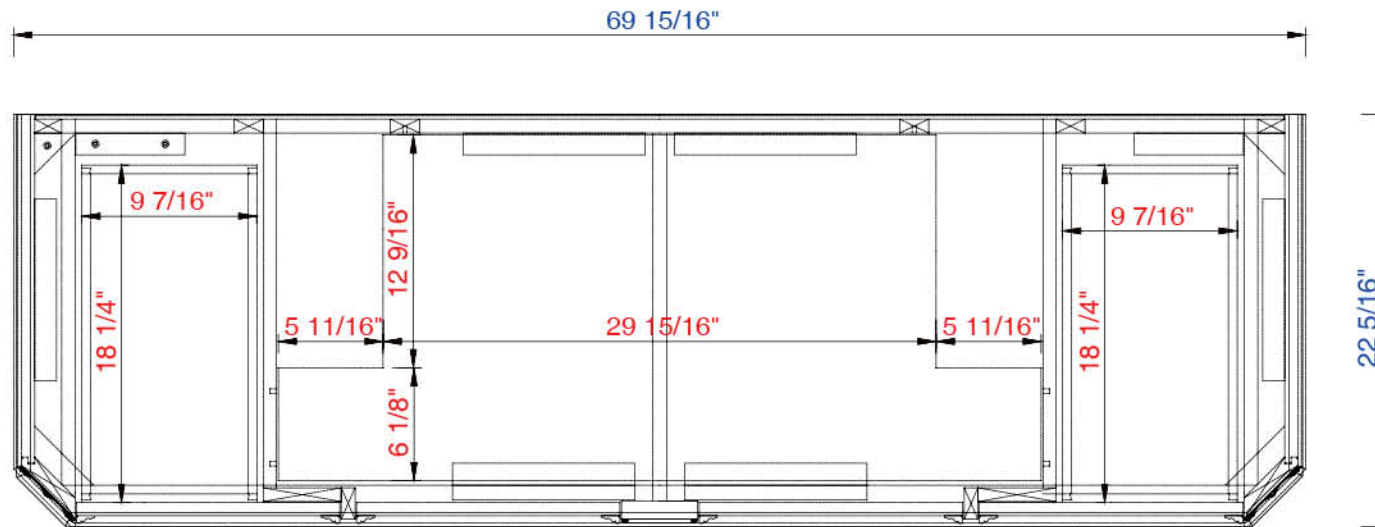
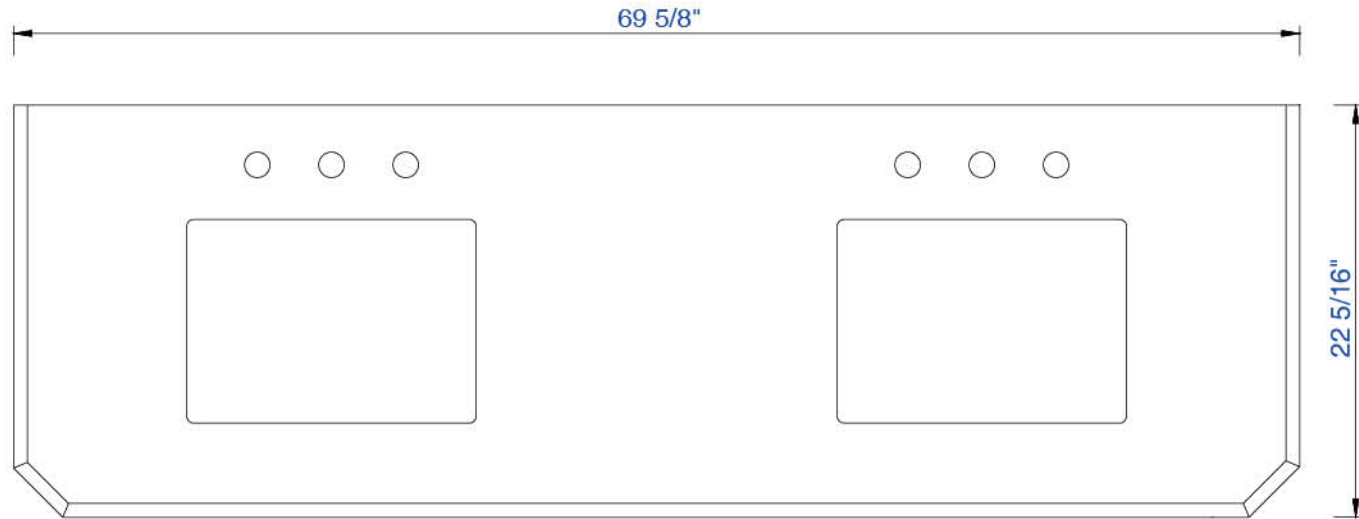
JAMES MARTIN



VANITIES

Regent 71" Cabinet

Diagrams with Dimensions
page 02 of 03



NOTE ONE: Married Countertop is standard for this cabinet

NOTE TWO: Internal Shelves (Shown) are designed to align with sinks in James Martin's Optional Countertops.

71"

Item Number:

202-V71-ENB-GB

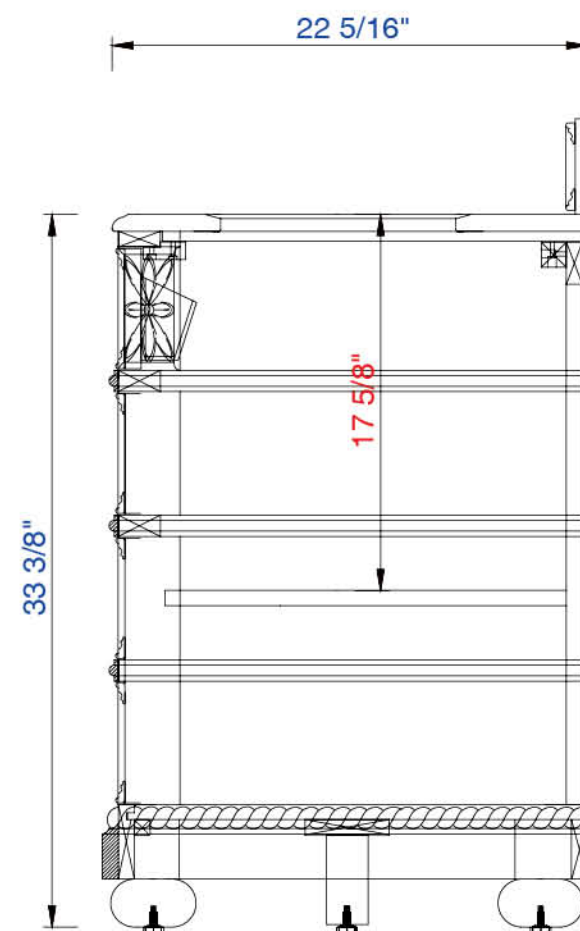
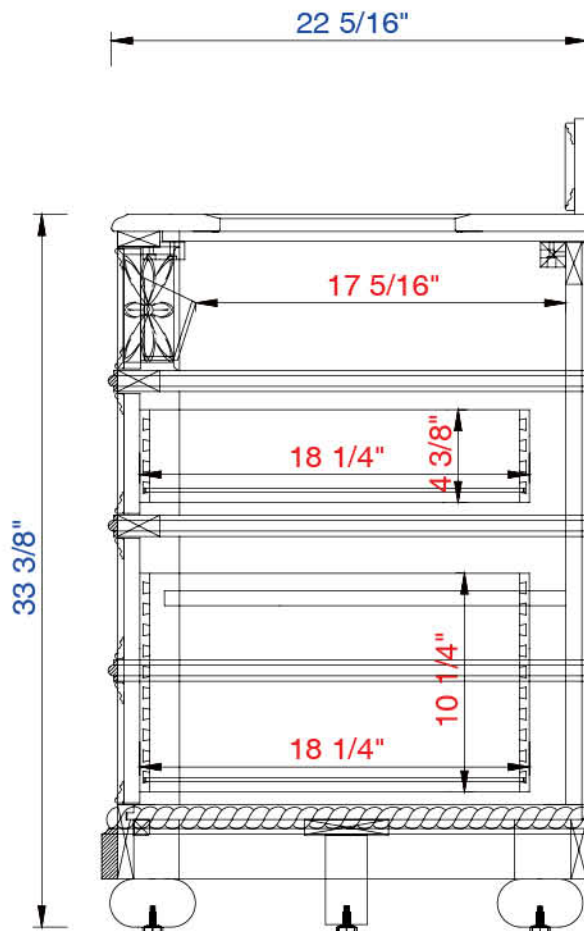
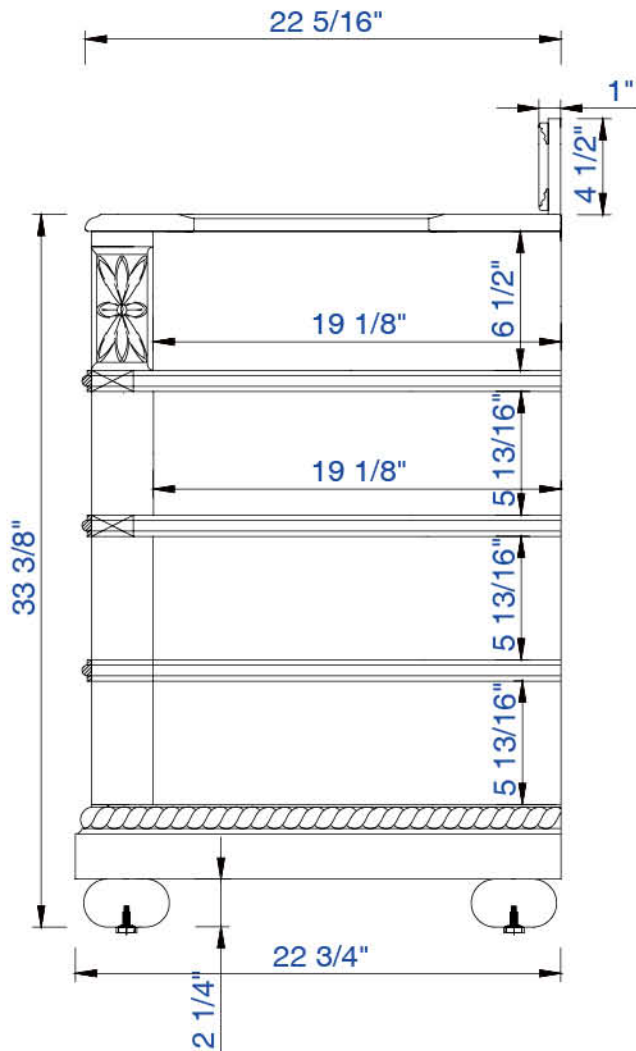
JAMES MARTIN



VANITIES

Regent 71" Cabinet

Diagrams with Dimensions
page 03 of 03



NOTE ONE: Married Countertop is standard for this cabinet

NOTE TWO: Wood Backsplash (Shown) is designed for the molding detail to align with sinks in James Martin's Optional Countertops.

1804mm

Item Number:

202-V71-ENB-GB

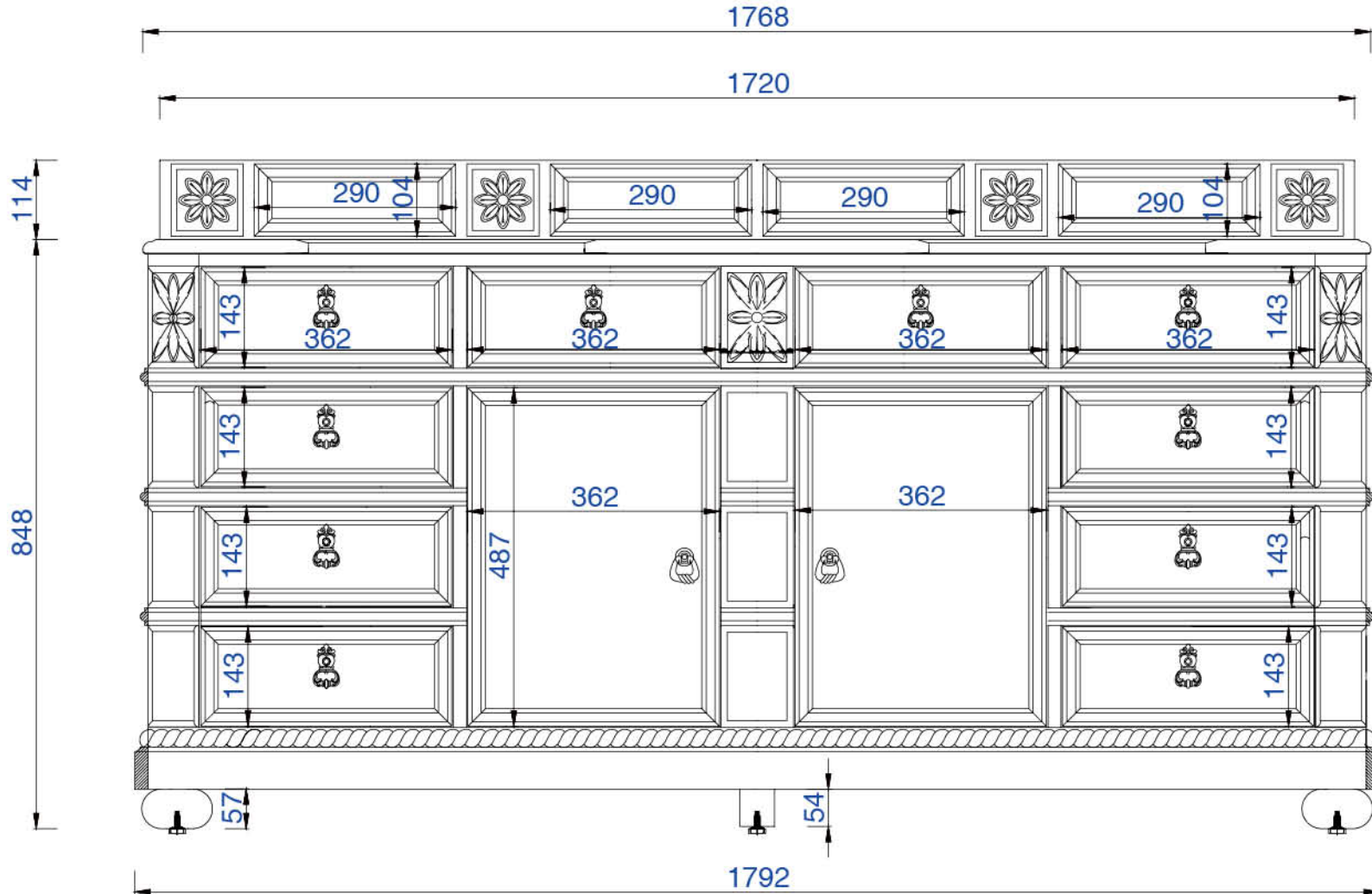
JAMES MARTIN



VANITIES

Regent 1804mm Cabinet

Diagrams with Dimensions
page 01 of 03



NOTE ONE: Married Countertop is standard for this cabinet

NOTE TWO: Wood Backsplash (Shown) is designed for the molding detail to align with sinks in James Martin's Optional Countertops.

1804mm

Item Number:

202-V71-ENB-GB

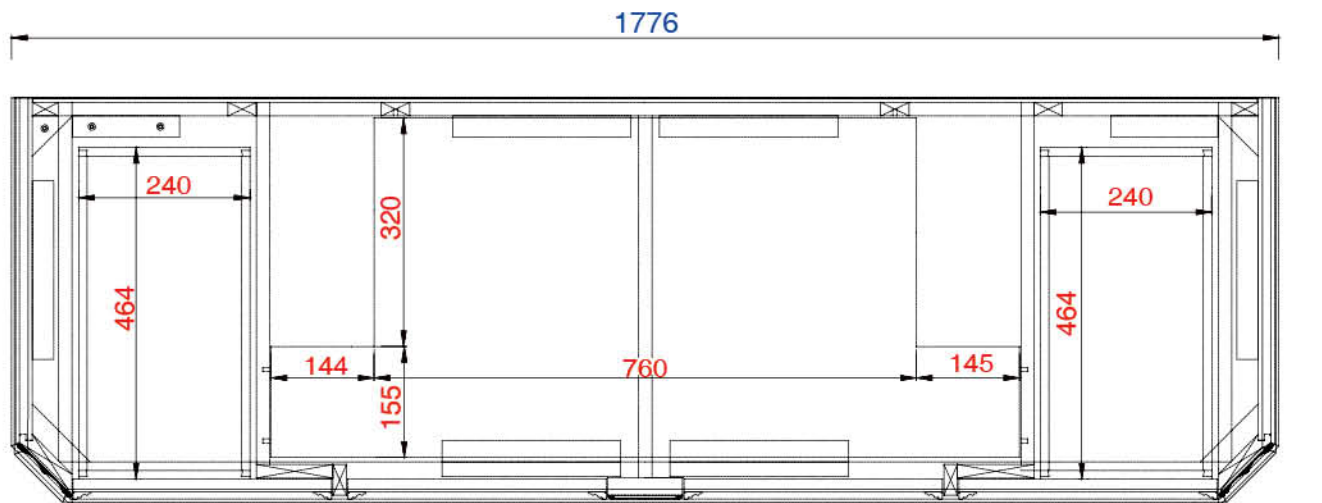
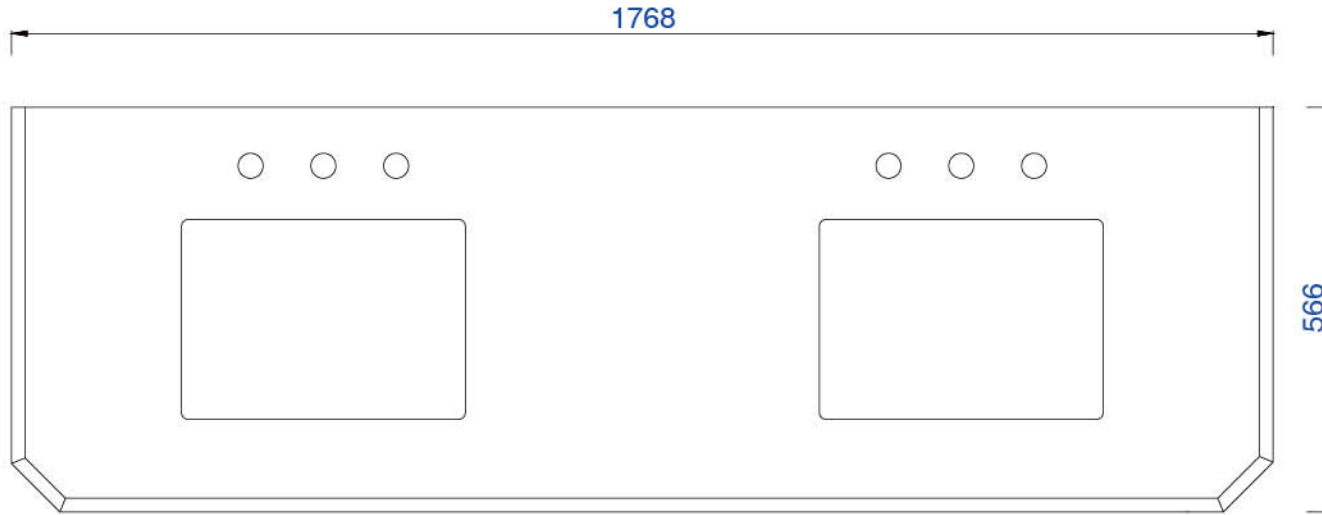
JAMES MARTIN



VANITIES

Regent 1804mm Cabinet

Diagrams with Dimensions
page 02 of 03



NOTE ONE: Married Countertop is standard for this cabinet

NOTE TWO: Internal Shelves (Shown) are designed to align with sinks in James Martin's Optional Countertops.

1804mm

Item Number:

202-V71-ENB-GB

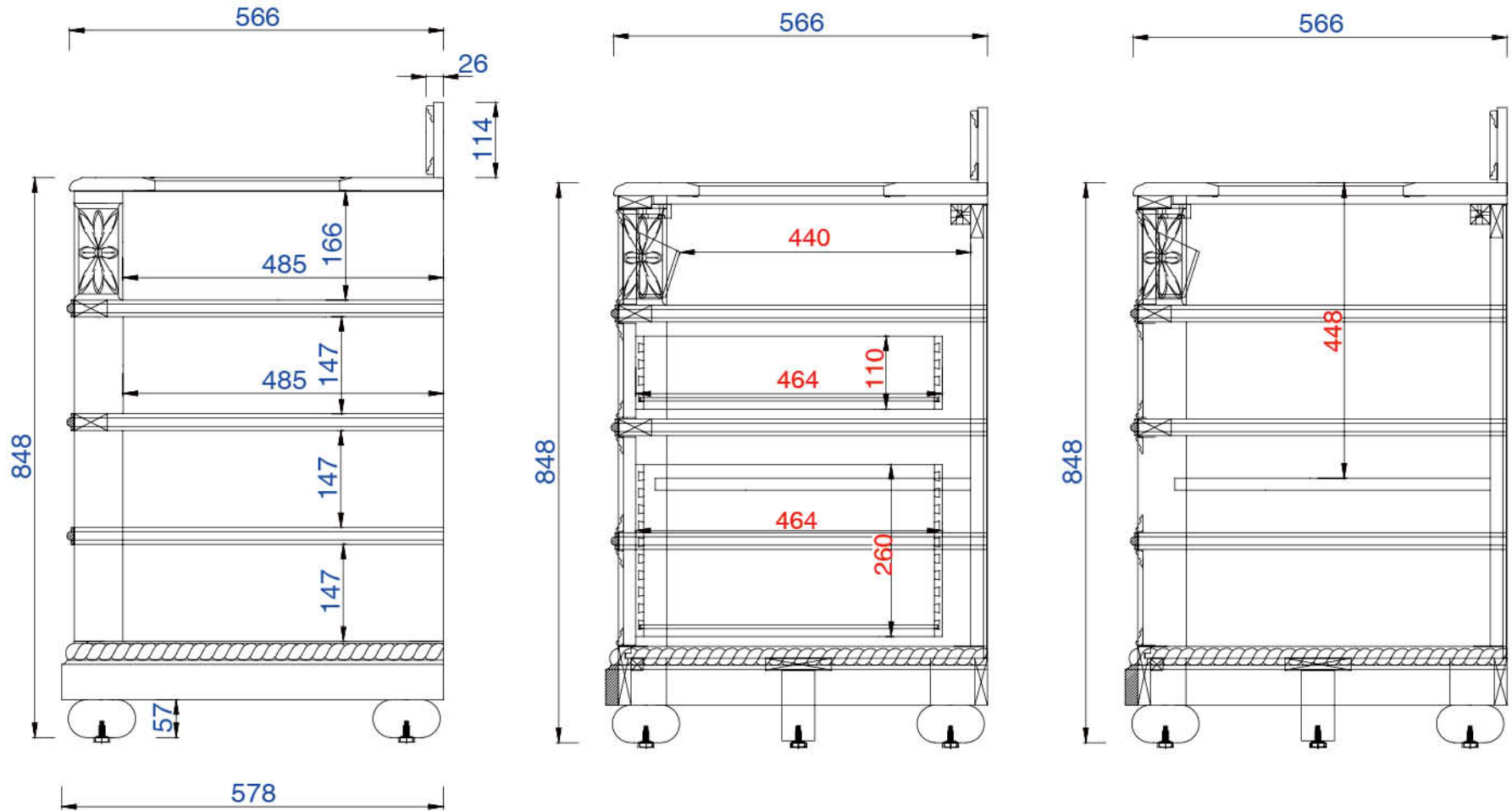
JAMES MARTIN



VANITIES

Regent 1804mm Cabinet

Diagrams with Dimensions
page 03 of 03



NOTE ONE: Married Countertop is standard for this cabinet

NOTE TWO: Wood Backsplash (Shown) is designed for the molding detail to align with sinks in James Martin's Optional Countertops.