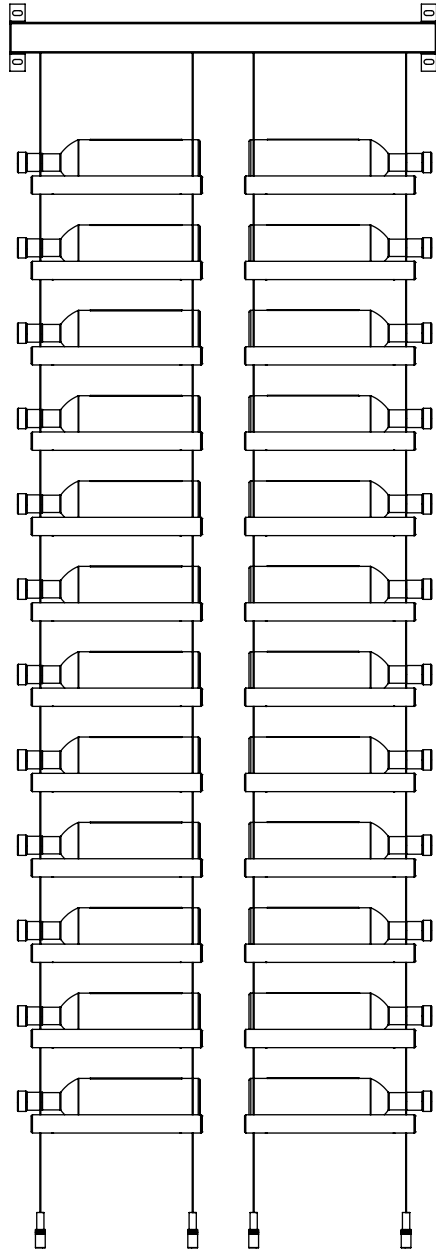


BUOYANT INSTALLATION GUIDE

WM24



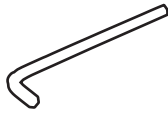
WALL MOUNT TO FLOOR
24 BOTTLES

SIDE VIEW CONFIGURATION

TOOLS FOR INSTALLATION



Screw Driver



Allen Keys



Electric Drill



Plumb-Line



Cutter



Level

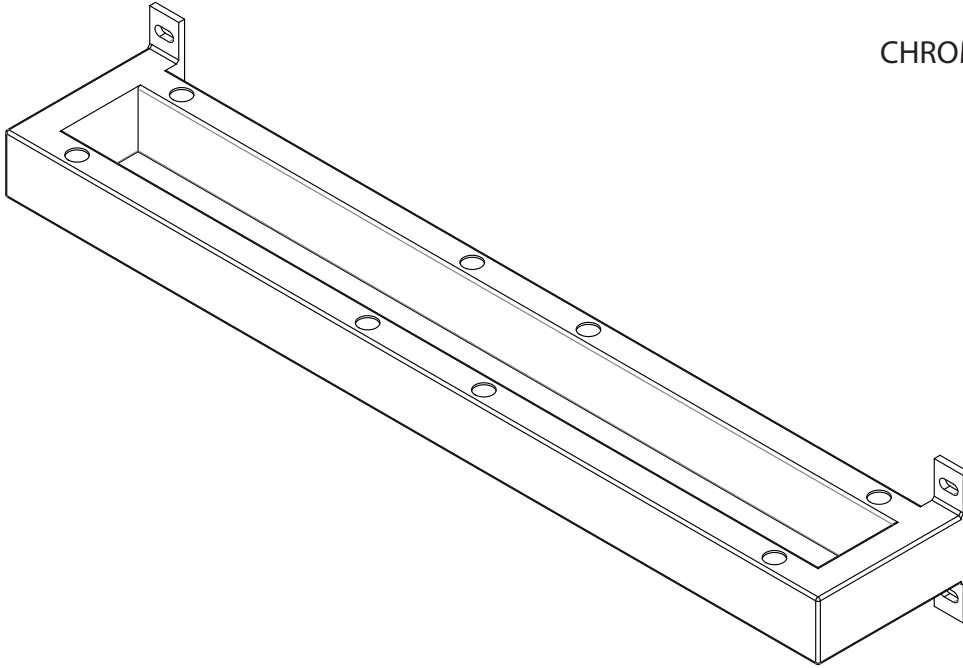
SAFETY INFORMATION

- 1) All parts should be installed according to the instructions provided in this installation guide. Failure to follow these instructions may result in deformities and /or loose cables and connectors. If such issues occur remove all bottles immediately until any issues found have been properly corrected. Pass this installation guide onto any new buyer of this product if resold to any party.
- 2) Buoyant products should only be installed and rearranged by qualified professionals after reading and fully understanding these instructions wholly. **DO NOT TRY TO INSTALL THE BUOYANT CABLE WINE SYSTEM YOURSELF!** A qualified professional should always be involved in jobsite inspection, product selection, assembly and installation of Buoyant Cable Wine Systems products.
- 3) Local codes regarding building, fire, sanitation and seismic requirements should may apply to some installations of the Buoyant Cable Wine System. The owner or purchaser of the system is responsible for checking with local building authorities and ensure that installation is in compliance with such codes and requirements if any exist.
- 4) Products from other manufactures must not be combined Buoyant Cable Wine System with any products.
- 5) If any Buoyant Cable Wine System parts are damaged or in anyway compromised contact a Buoyant Cable Wine System sales representative. **NEVER USE ANY DAMAGED OR COMPROMISED PARTS!**
- 6) The Buoyant Cable Wine System is designed to support the weight and shape of standard wine bottles. Use caution when storing other than standard wine bottles.
- 7) The design of Buoyant Cable Wine System only supports the weight of standard wine bottles (750ml). Do not exceed the maximum load of the Buoyant Cable Wine System as this may compromise the integrity of the Cable Wine System.
- 8) Never let any parts or bottles protrude into an aisle or doorways as this may cause accidental contact with the Buoyant Cable Wine System.
- 9) Always provide safe access to all levels of the Buoyant Cable Wine System in compliance with any building or fire code that may apply locally.
- 10) Never let anyone stand, walk, climb, lean or pull on the Buoyant Cable Wine System.
- 11) Never let anyone change, alter or modify the Buoyant Cable Wine System or any of its parts as this may cause the Buoyant Cable Wine System and/or its parts to be unsafe.
- 12) Always keep the wooden rods in a dry environment as humidity and moist can cause the wood to expand and change the dimensions of the drilled holes in the rods. Also, when staining the wooden rods it is important to avoid getting stain inside the holes as this could cause the hole dimensions to change Buoyant Cable Wine System. Any work done unto the wooden rods to repair such dimensional changes may effect the integrity of the system.

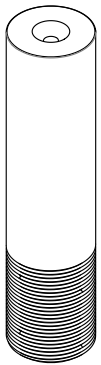


PART LIST

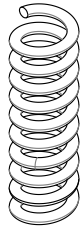
CHROME BRACKET



FLOOR MOUNT FIXTURE



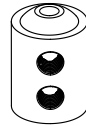
FM2



FM3



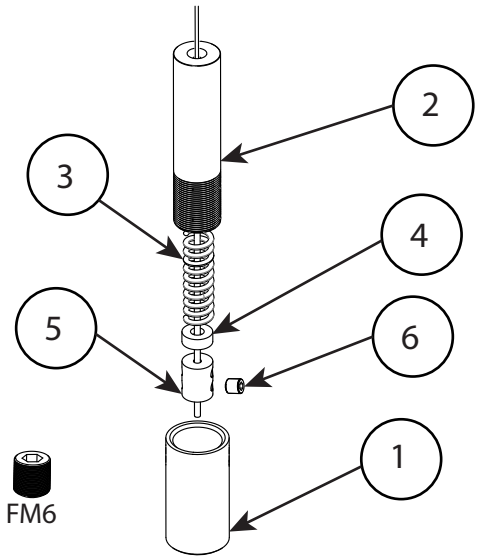
FM4



FM5

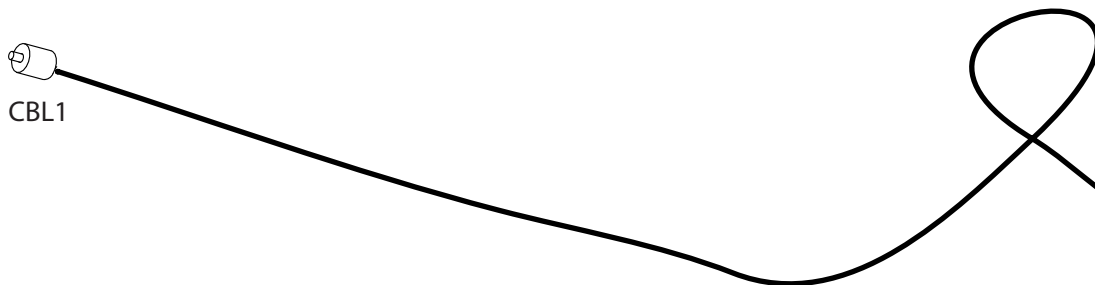


FM6



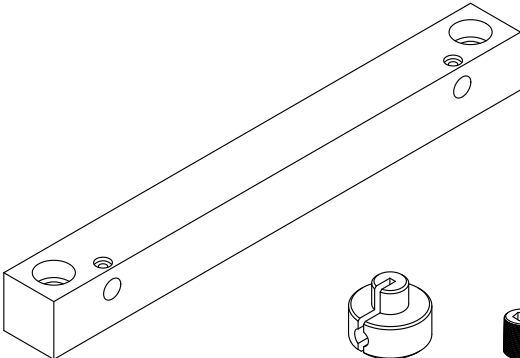
TENSION CABLE

CBL1



PART LIST

WOODEN FIXTURES AND COMPONENTS



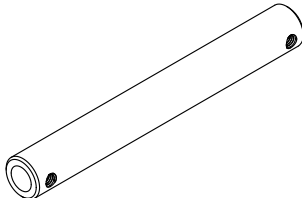
WR1



WR3



WR4

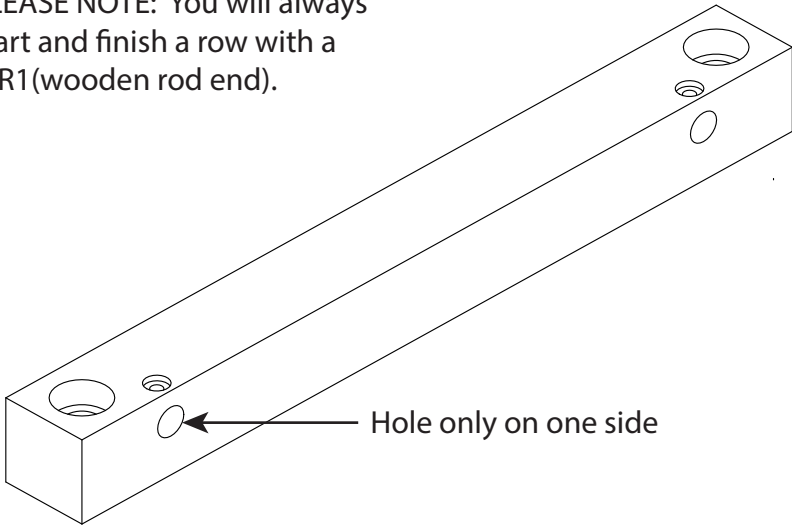


WR5



WR6

PLEASE NOTE: You will always start and finish a row with a WR1(wooden rod end).

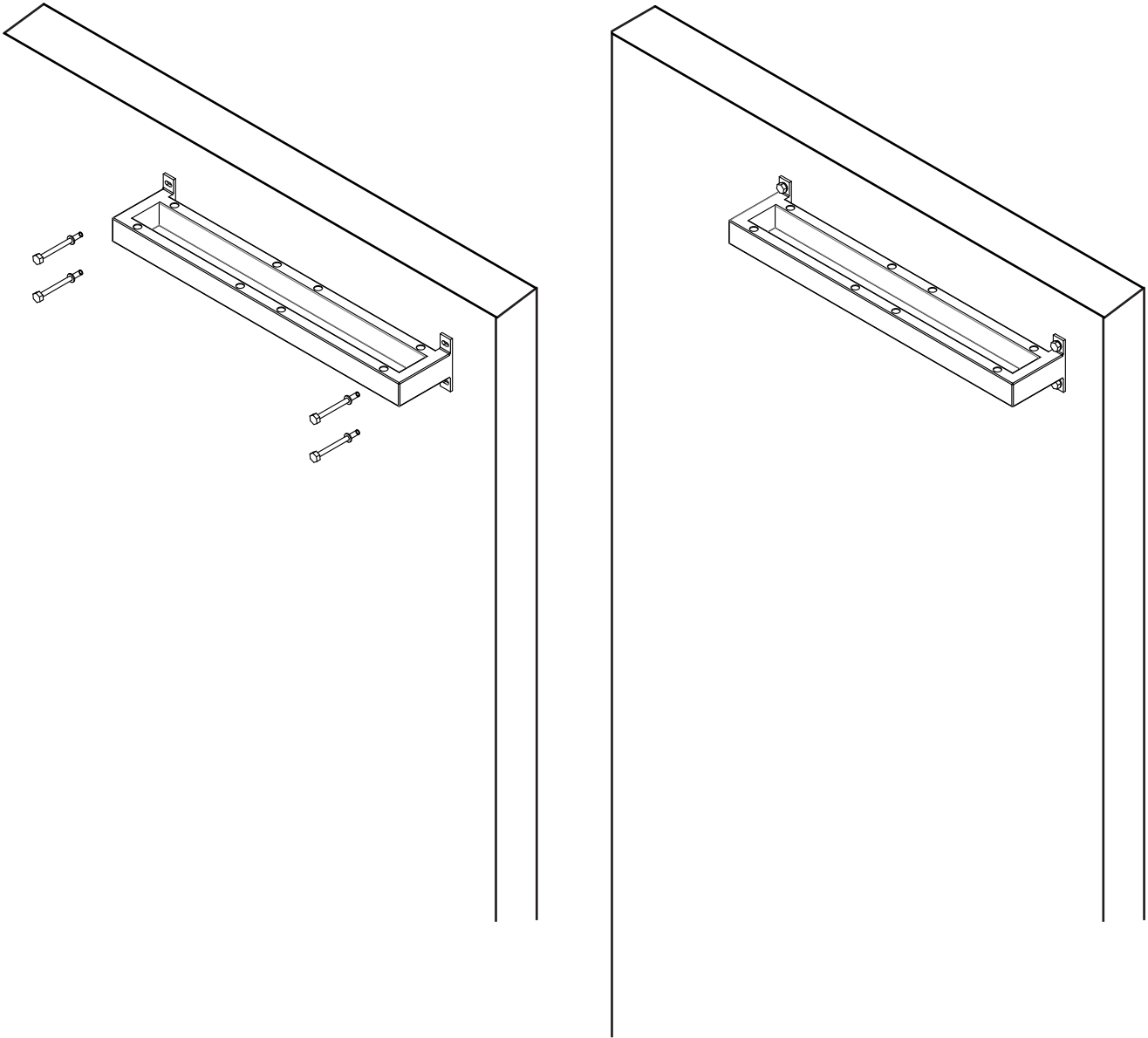


WOODEN ROD END
PIECE (WR1)

STEPS FOR INSTALLATION

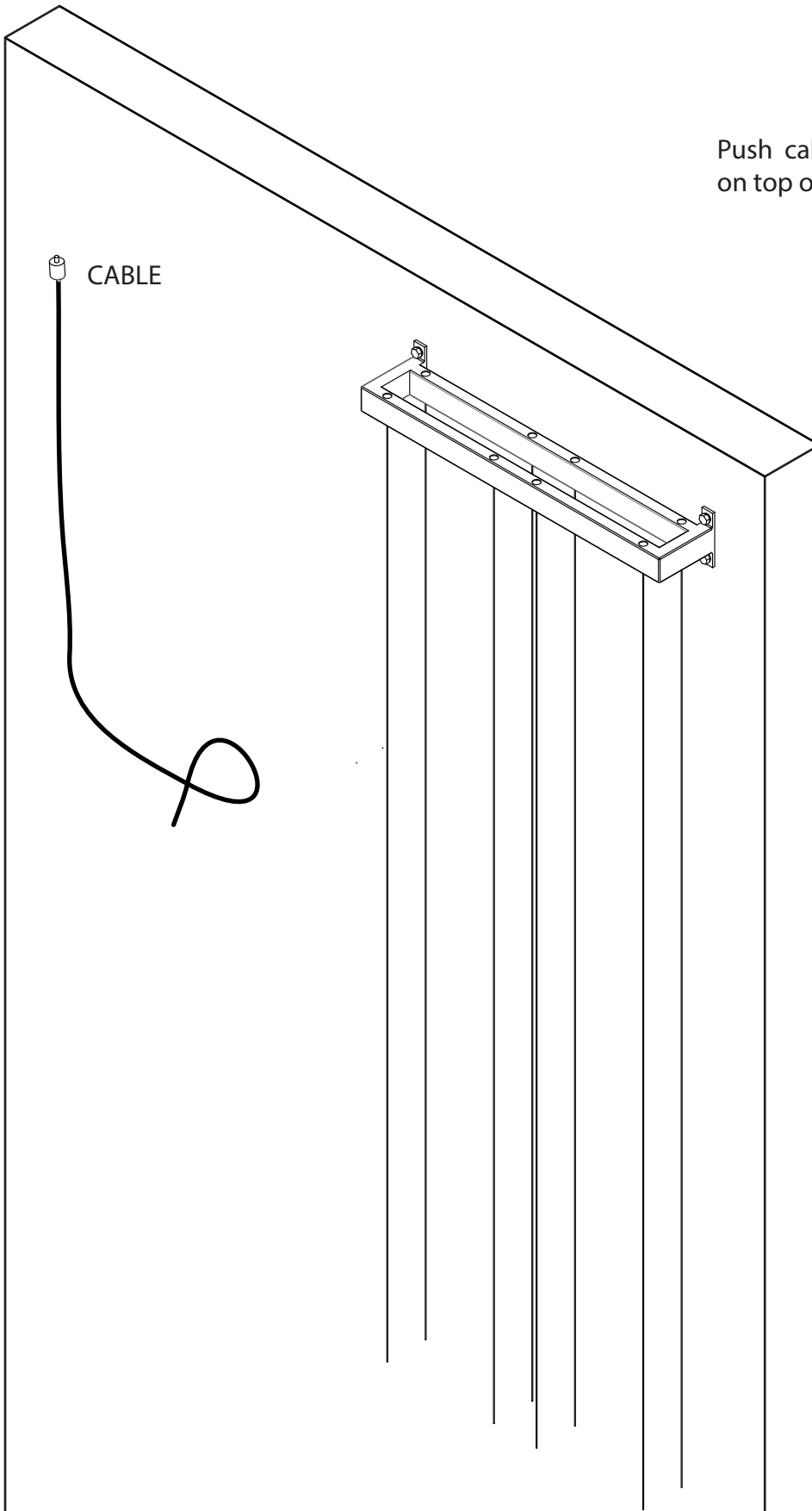
1

Use bolts and washers to secure bracket to wall



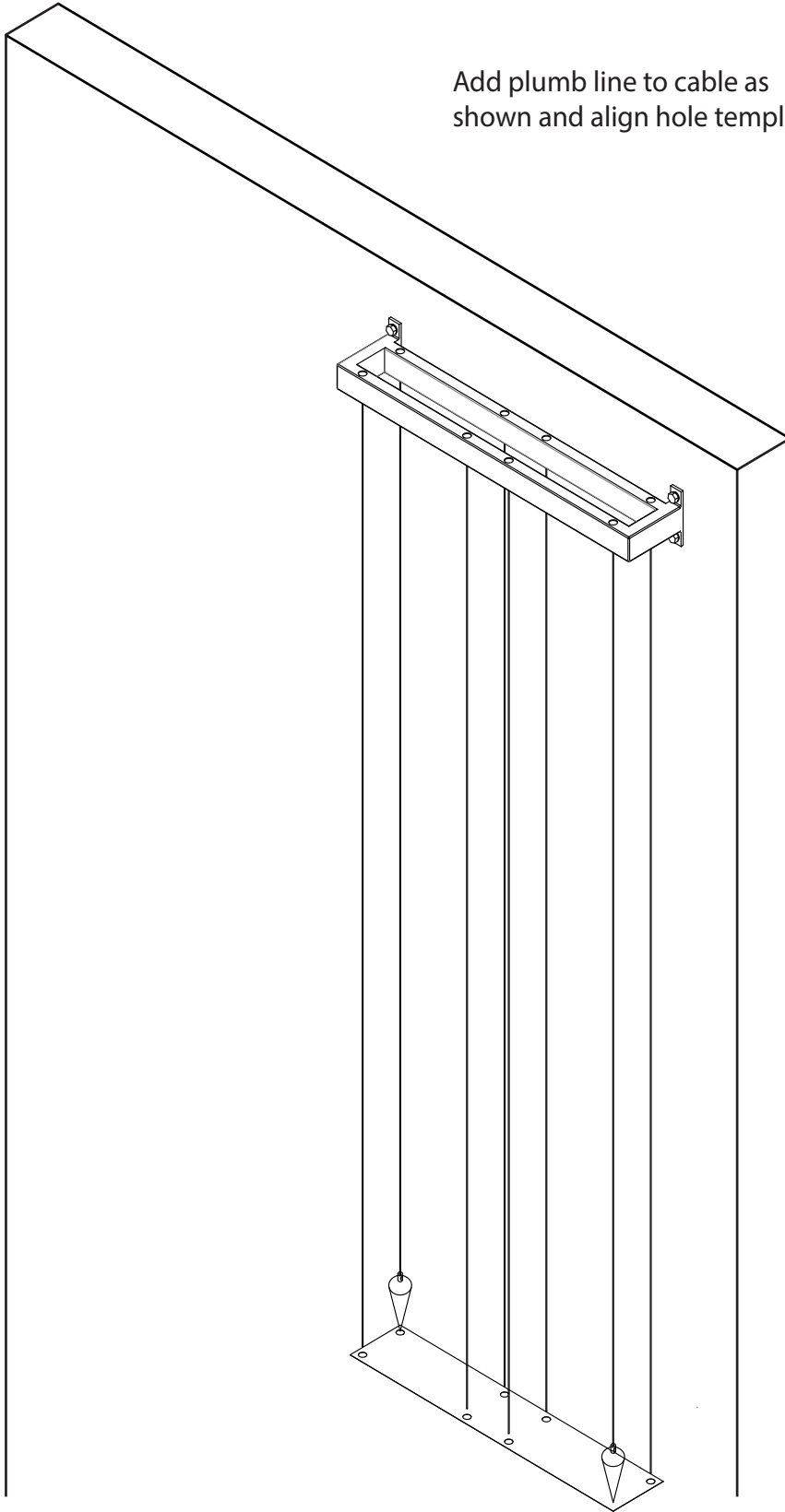
2

Push cables through holes on top of bracket.



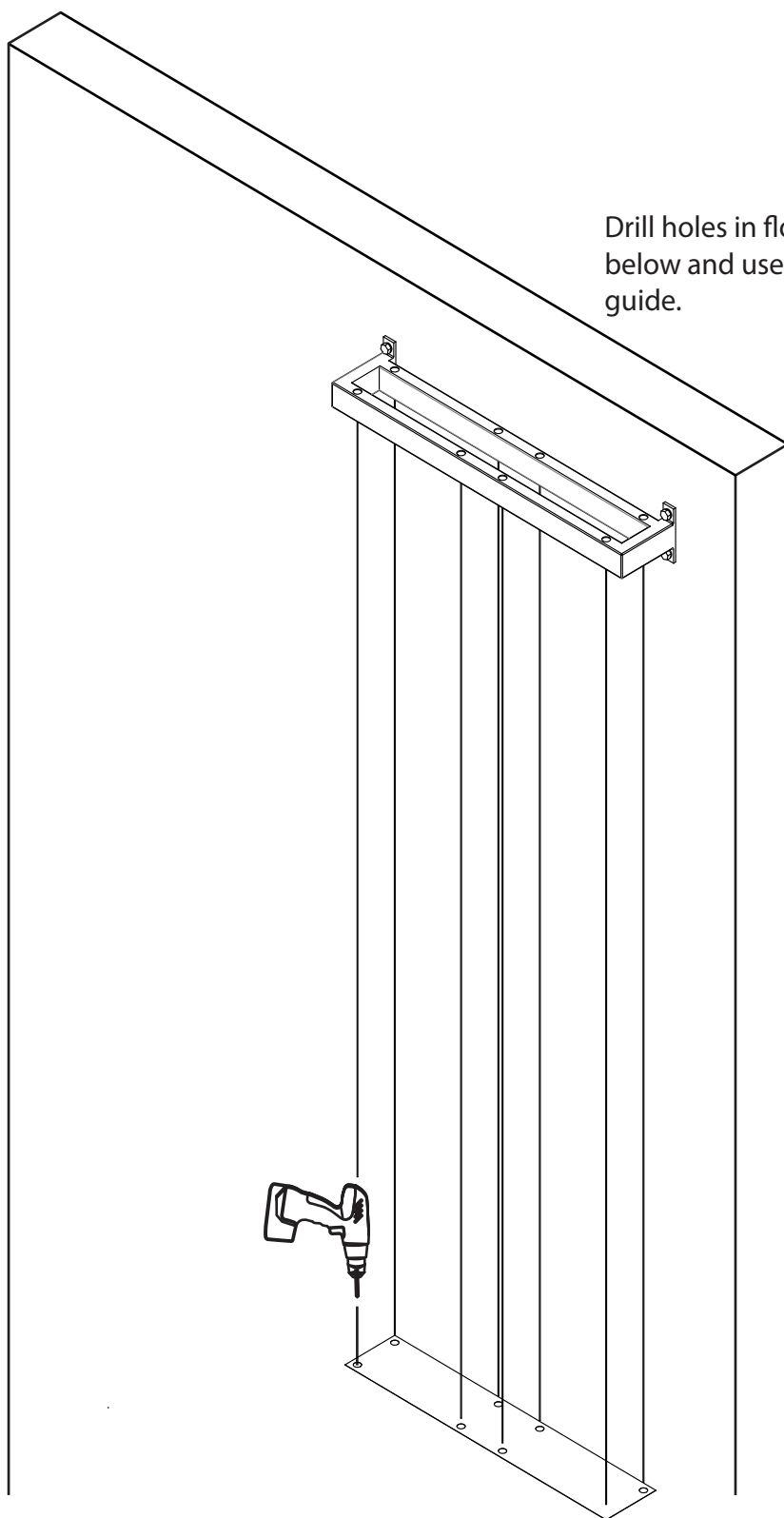
3

Add plumb line to cable as shown and align hole template



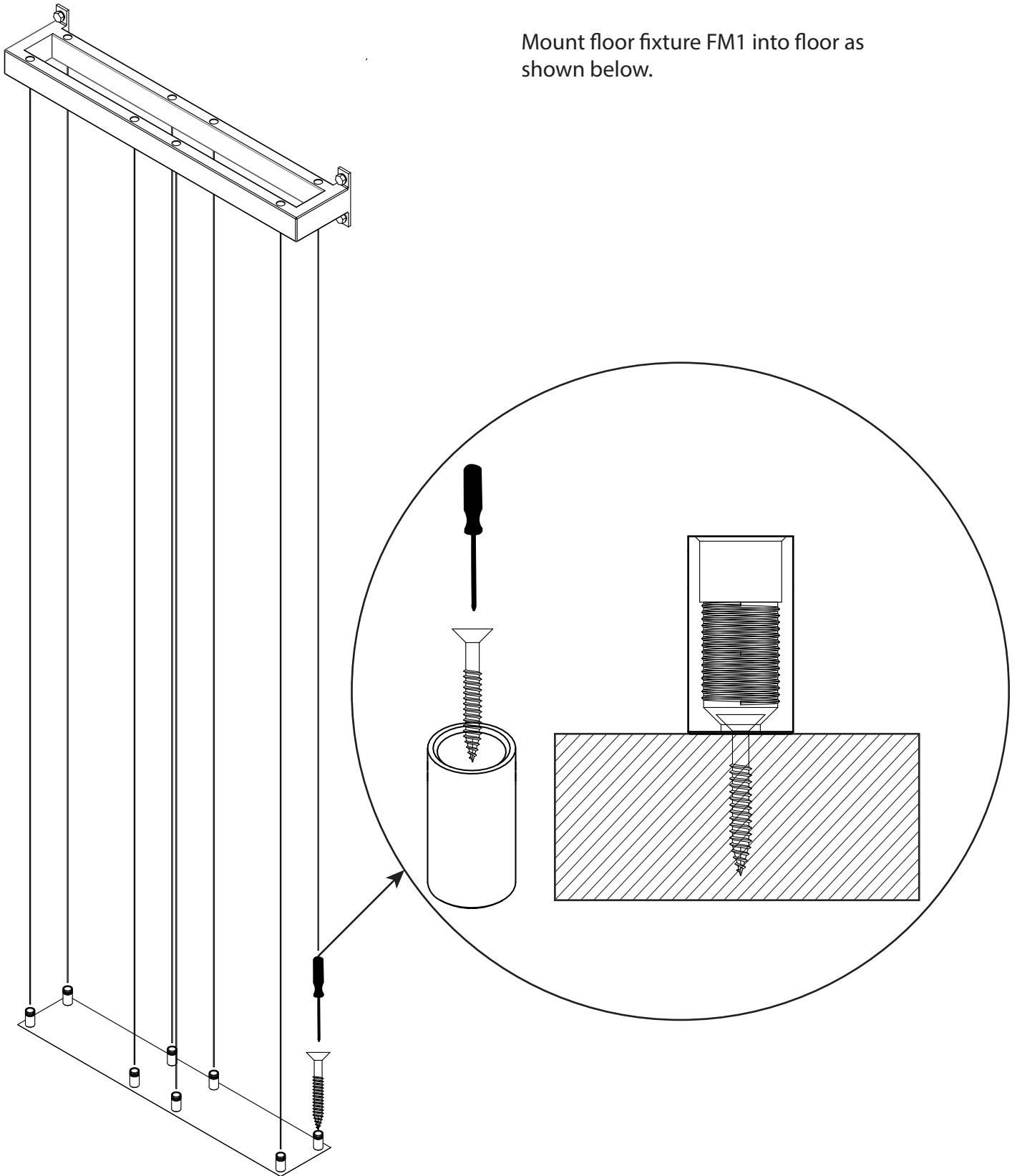
4

Drill holes in floor as shown below and use hole template as guide.



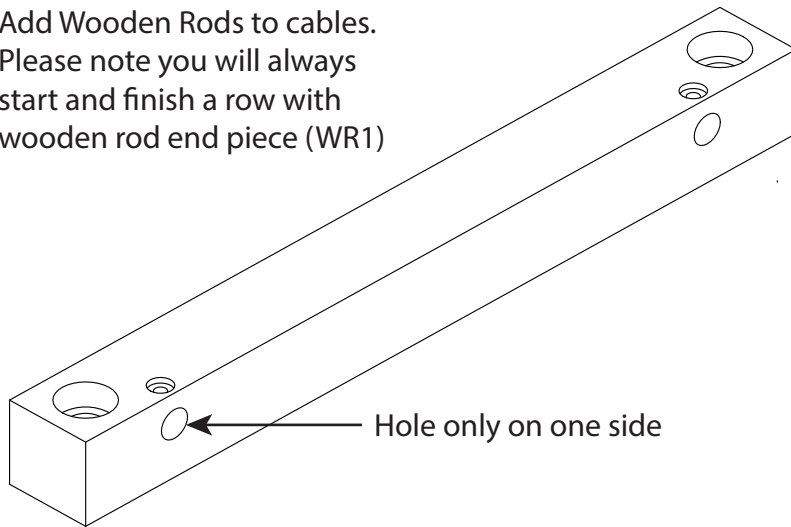
5

Mount floor fixture FM1 into floor as shown below.



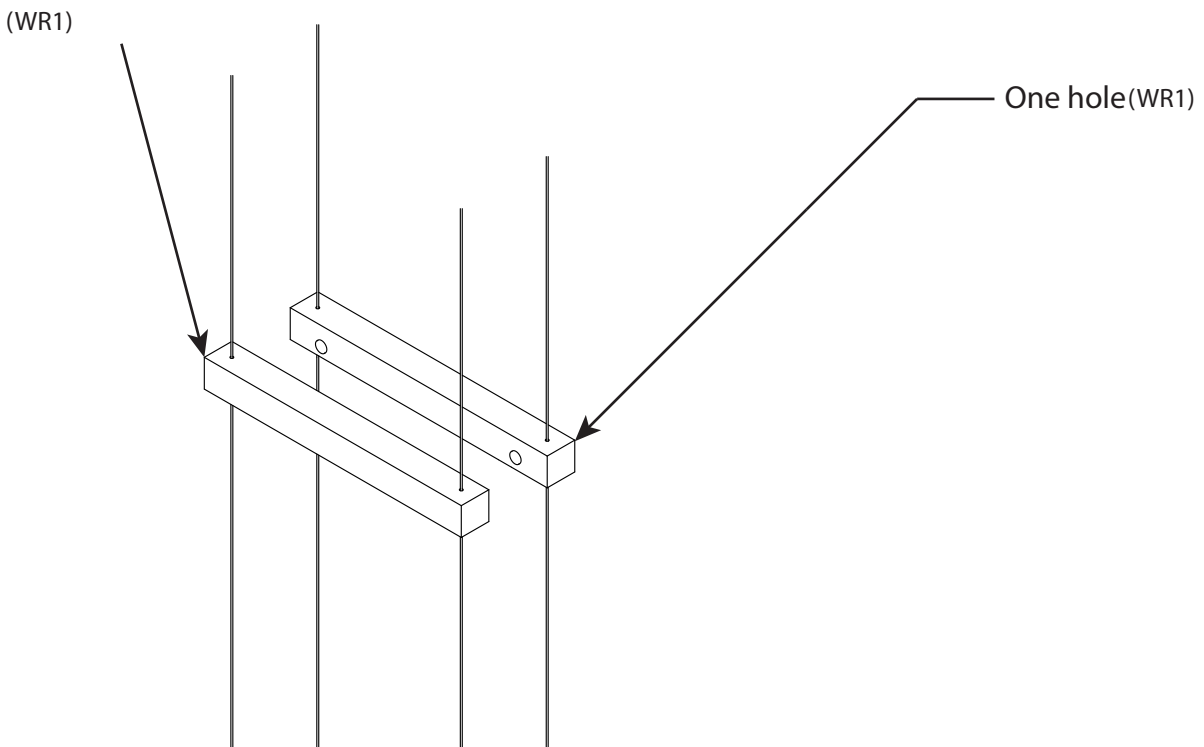
6

Add Wooden Rods to cables.
Please note you will always
start and finish a row with
wooden rod end piece (WR1)



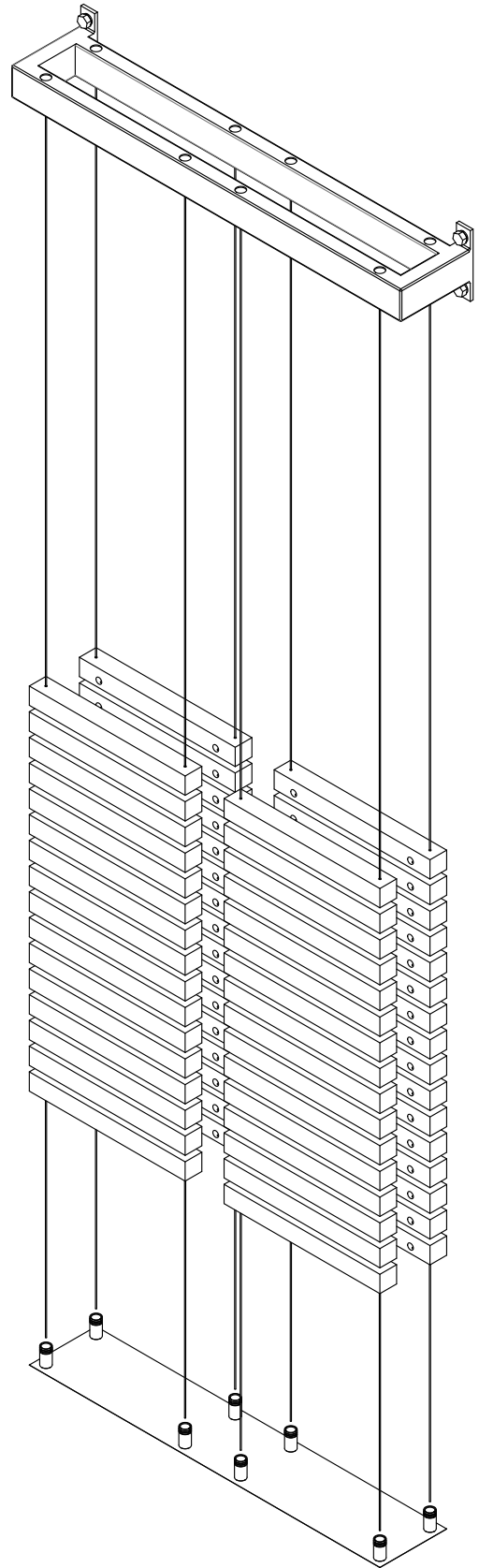
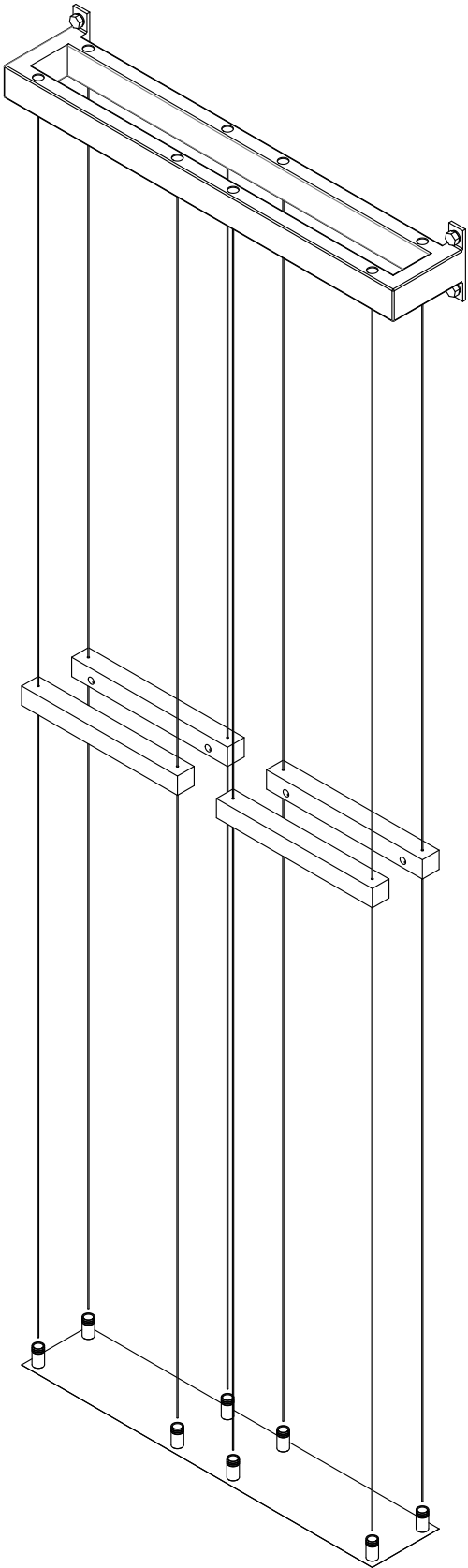
WOODEN ROD END
PIECE (WR1)

PLEASE NOTE: You will always
start and finish a row with a
WR1.

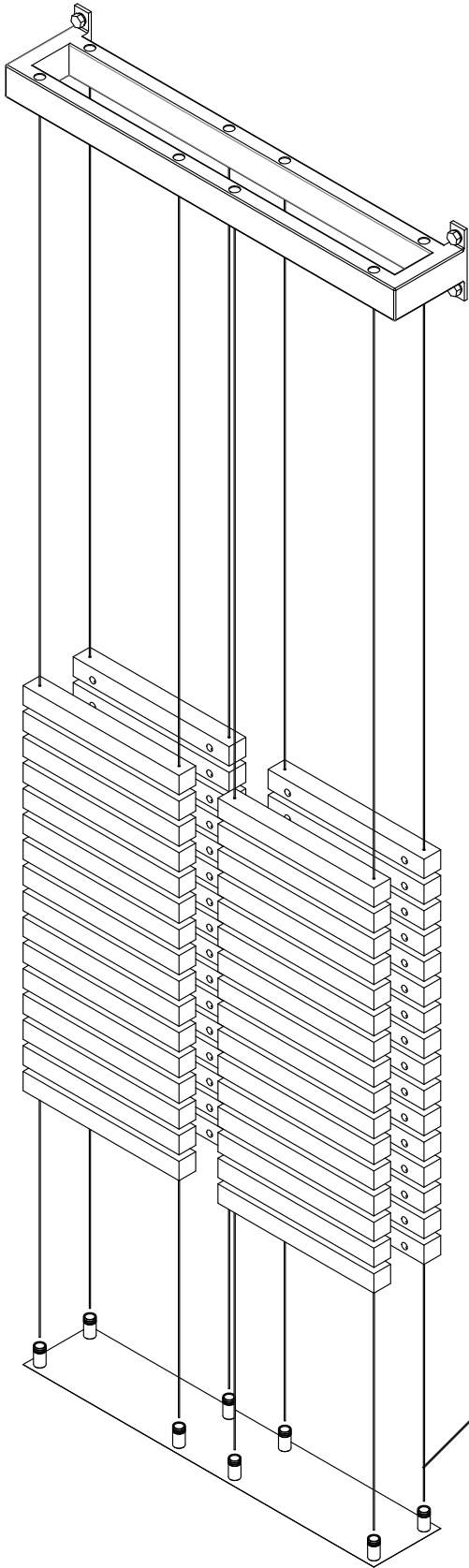


7

Add all Wooden Rods to cables as shown.

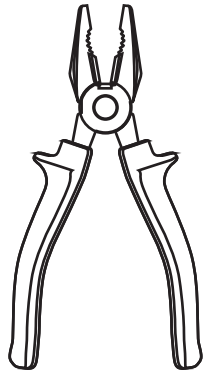
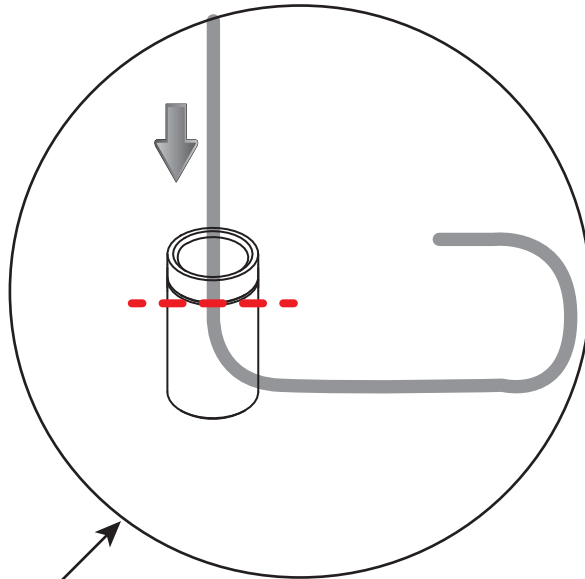


8

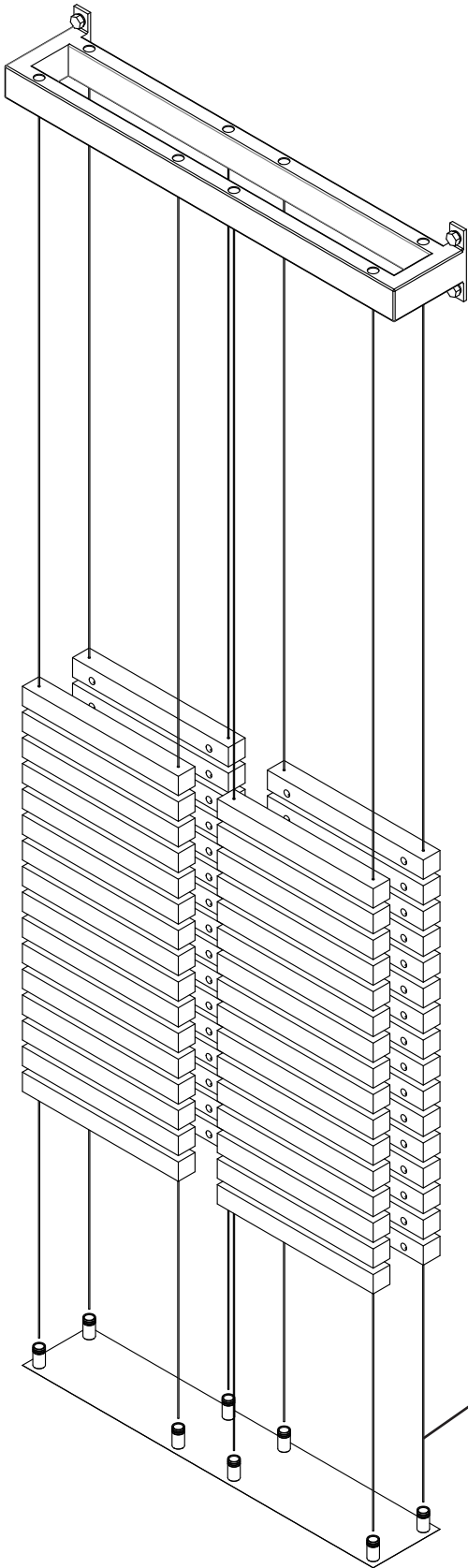


Stretch cables from bracket to floor, mark on the cable cut location with a marker. The cut should be where the ring of floor mount FM1 (as shown in picture). NOTE: Use cable cutter to cut cable. BE SURE YOU DO NOT CUT THE CABLE TOO SHORT.

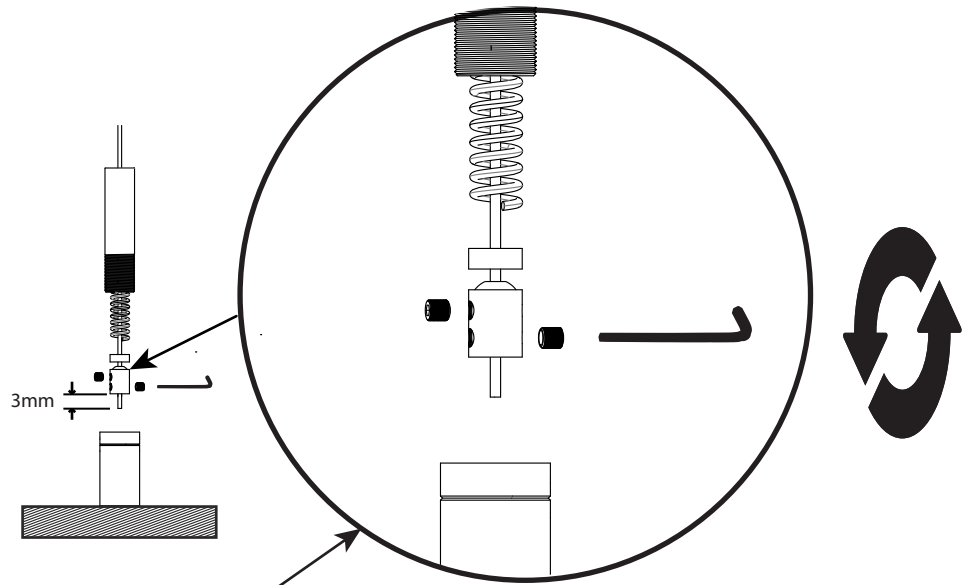
CUT LINE FOR CABLE IS INDICATED ON FLOOR MOUNT FM1 AS SHOWN BELOW.



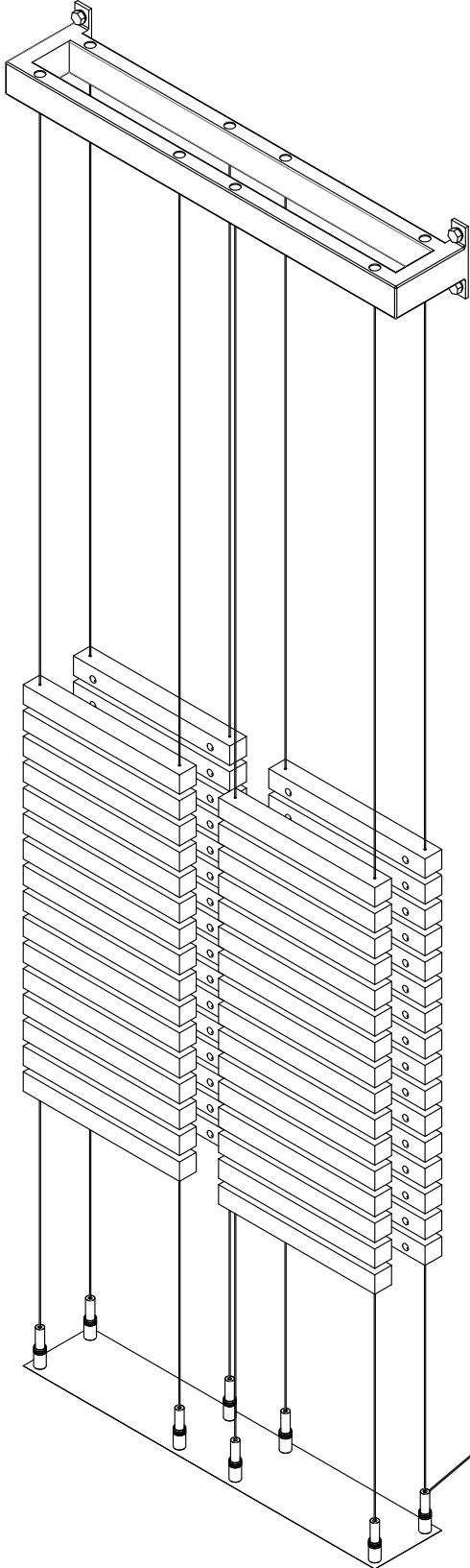
9



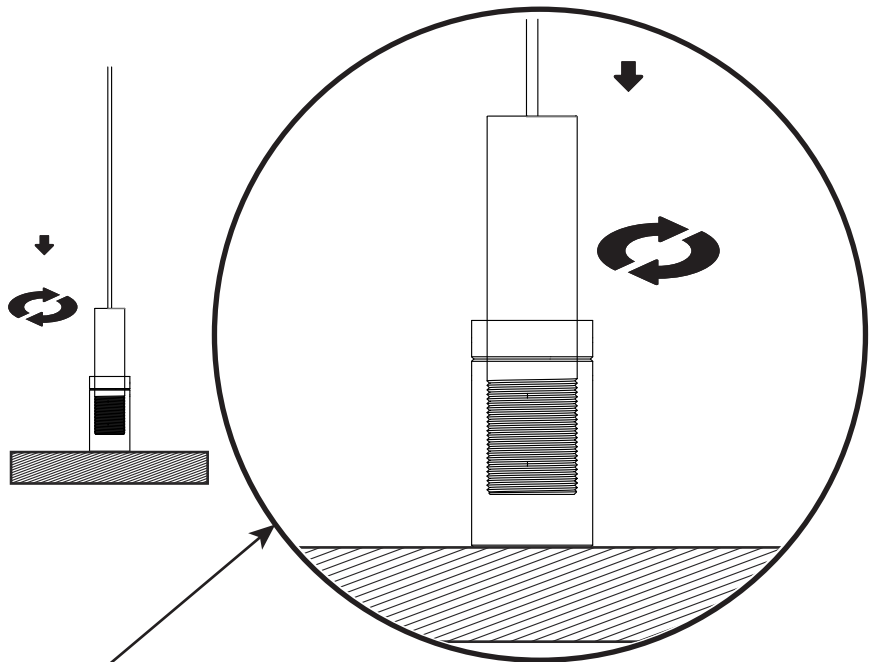
Mount on end of cables the following floor mount fixtures in exact order: Male mount, spring, washer and clamp(FM2, FM3, FM4 and FM5) to all cable ends. Cable end should have about 3mm from clamp as show in diagram below. Then tighten with the 2 hex screws(FM6) provided as shown above.



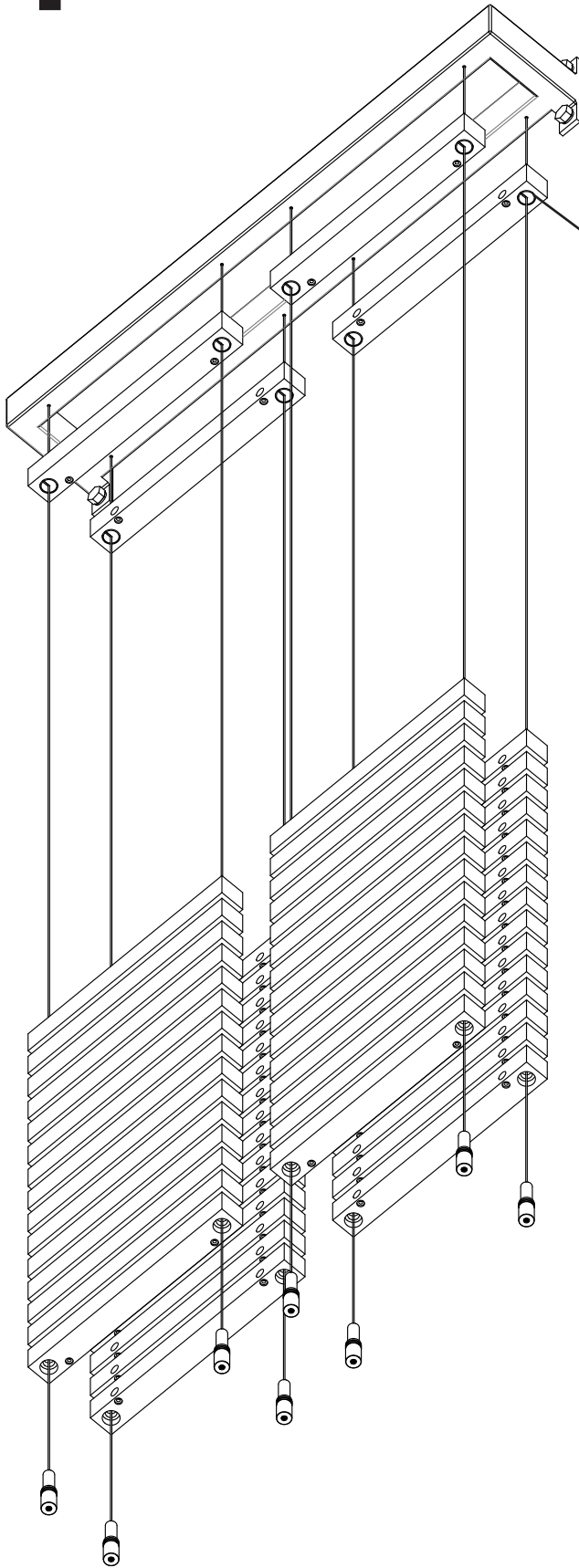
10



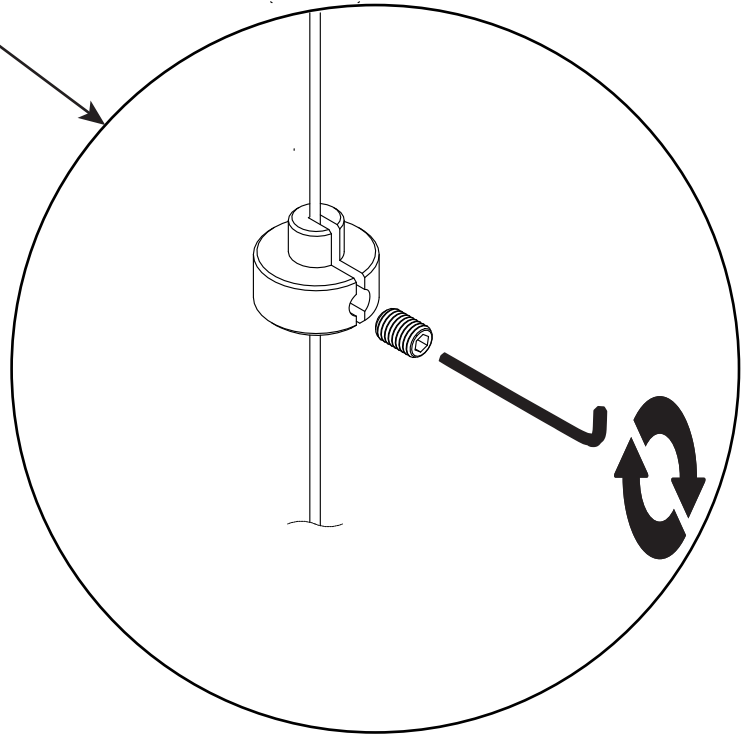
Tighten FM2 to FM1 as shown below. This will add tension to the cable and stabilize the fixture.



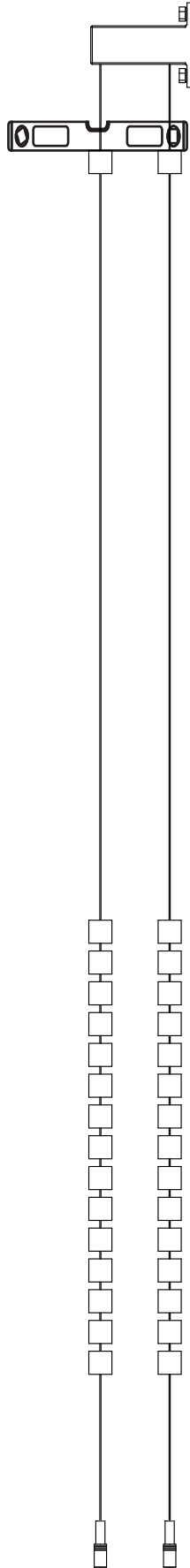
11



Adjust wooden rod to the position needed and use WR3 to keep in position.

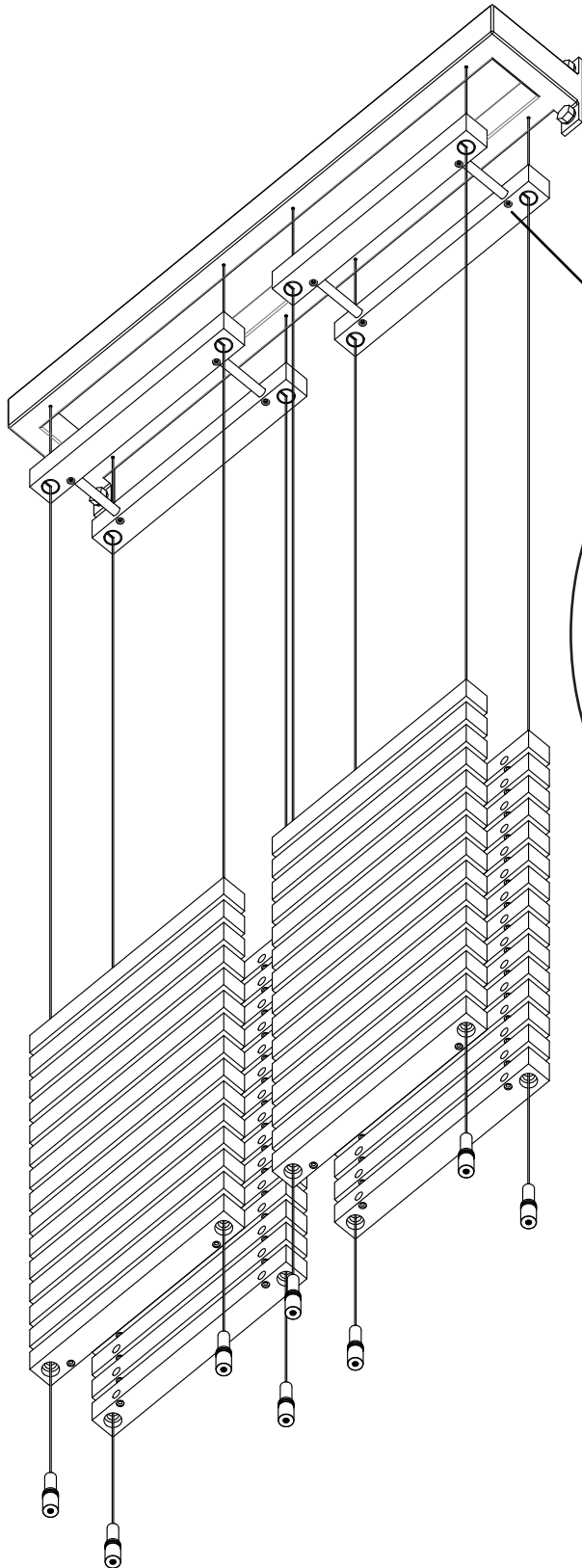


12

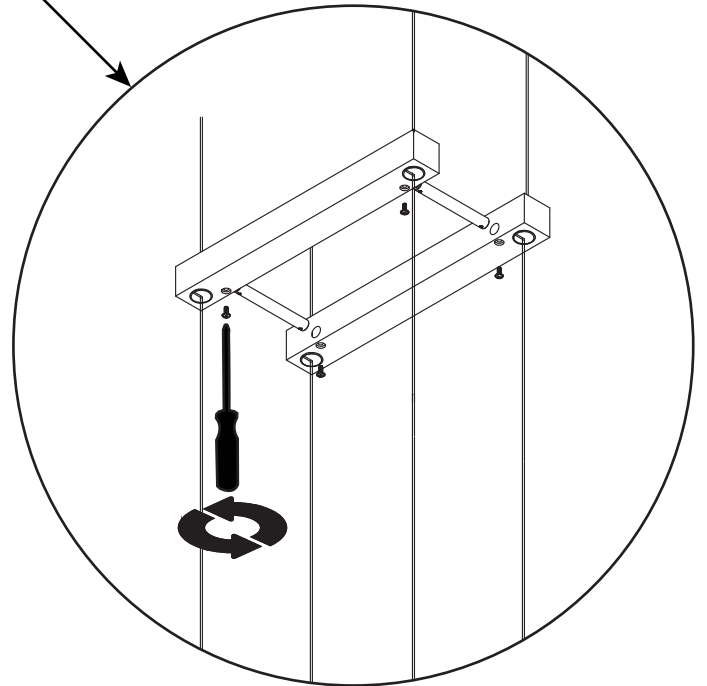


Use a leveler tool to ensure wooden rods are horizontally levelled. Adjust WR3 if needed.

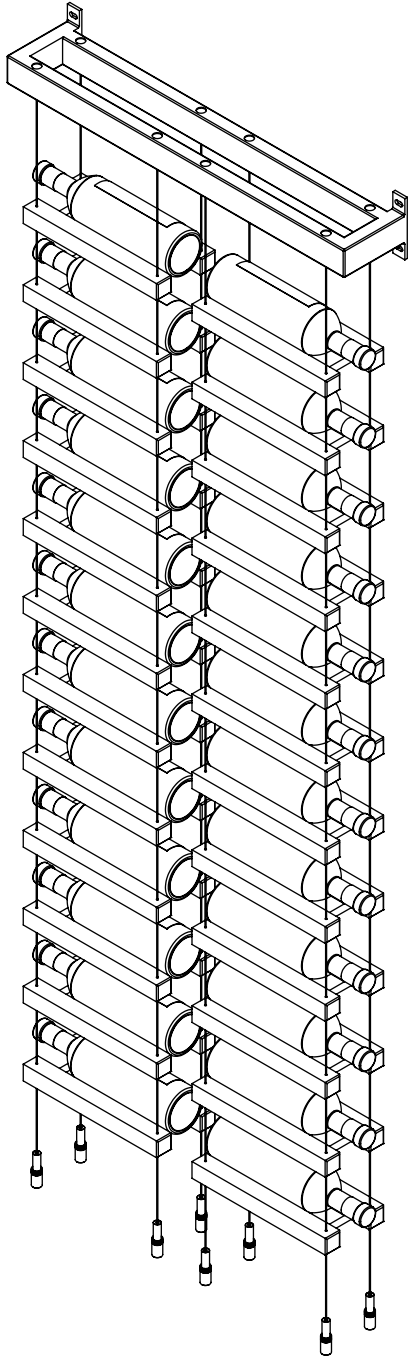
13



Insert WR5 chrome tubes into wooden rods and use WR6 screws to hold tubes in position as shown above.



14



Add all remaining chrome tubes and screws to your Buoyant Cable Wine System section. ENJOY!

COMPLETED ASSEMBLY

