

CONVENIENCE CONCEPTS

BRAXTON COCKTAIL OTTOMAN

143739BL



143739W



ASSEMBLY INSTRUCTIONS

We have designed our furniture with you , the customer in mind . Our clear , easy to follow , step by step instructions will guide you through the project from start to finish .
Feel confident that this will be a fun and rewarding project . The final product will be a quality piece of furniture that will go together smoothly and give years of enjoyment .







Please do not return to the store

Broken or missing parts?

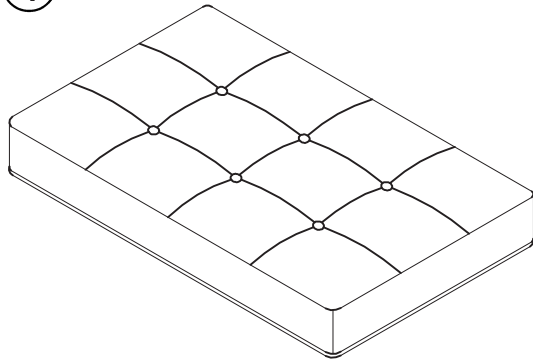
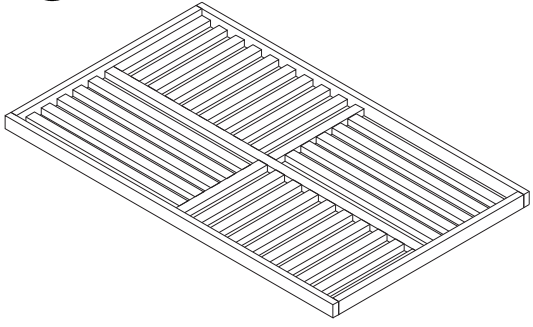

Need help with assembly?

If you have any questions just call 1-800-468-6447 or email us at parts@convenience-concepts.com

Hardware List

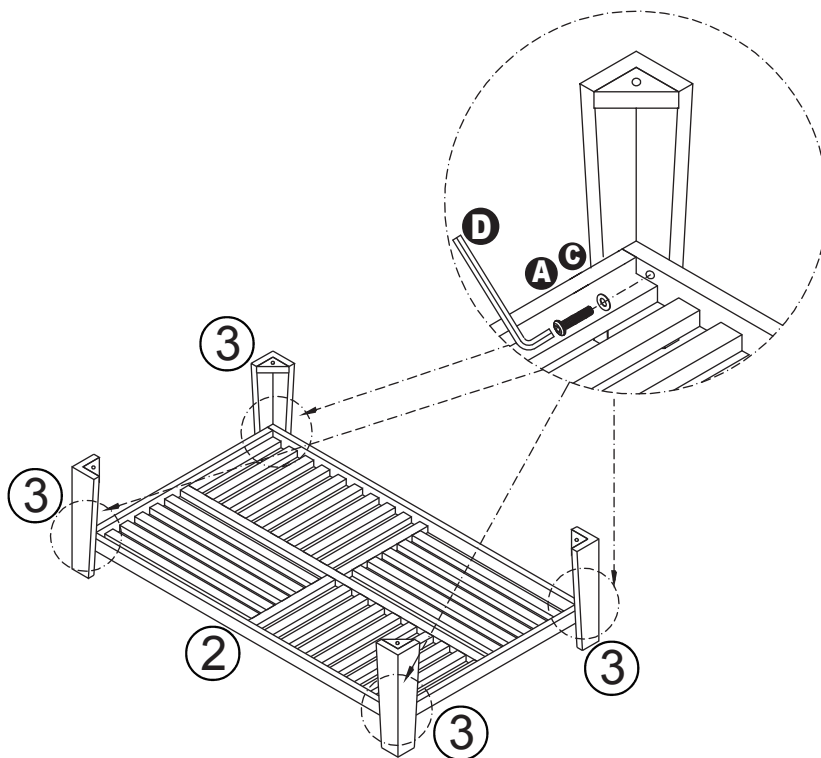
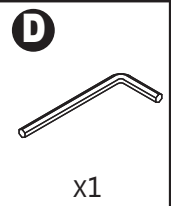
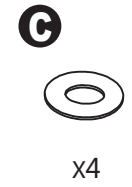
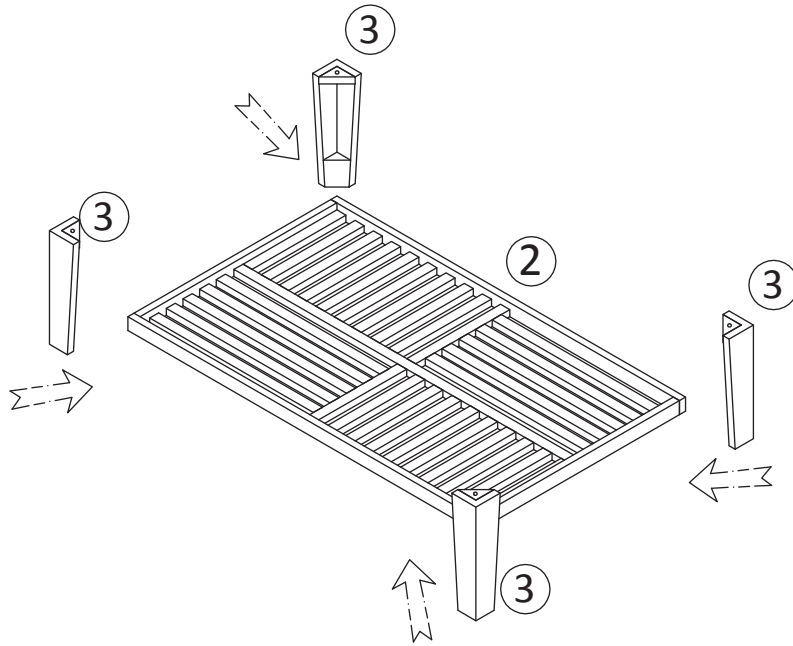
A 	B 	C 	D 
Short bolt (4pcs)	Long bolt (4pcs)	Flat washer (8pcs)	Allen wrench (1pc)

Panel List

1 	2 
Seat (1pc)	Wooden frame (1pc)
3 	
Leg (4pcs)	

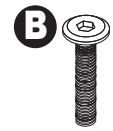
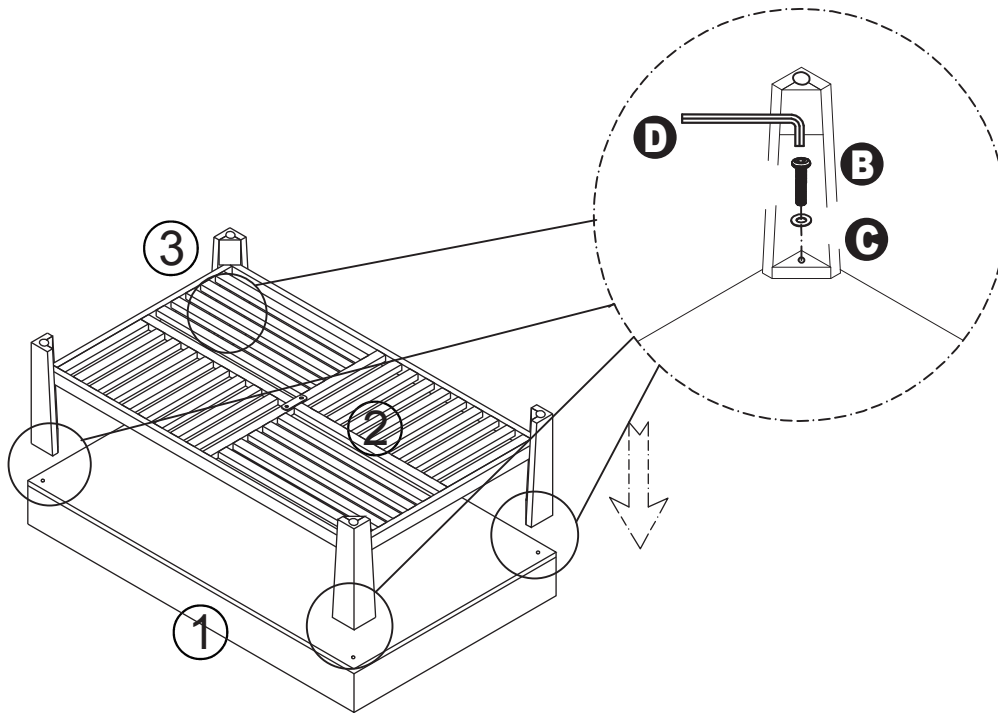
Step 1

1. Connect the legs ③ to wooden frame ② as shown using short bolts (A), flat washers (C) and allen wrench (D).

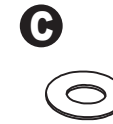


Step 2

1. Turn seat ① upside down onto a soft surface such as carpet or a towel.
2. Connect the leg assembly to seat ① using long bolts (B), flat washers (C), and allen wrench (D) as shown.
3. Turn over and enjoy.



x4



x4



x1

