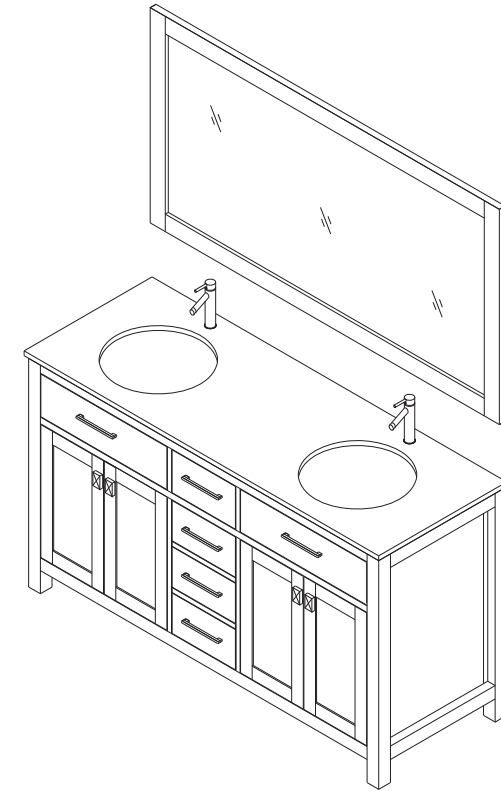
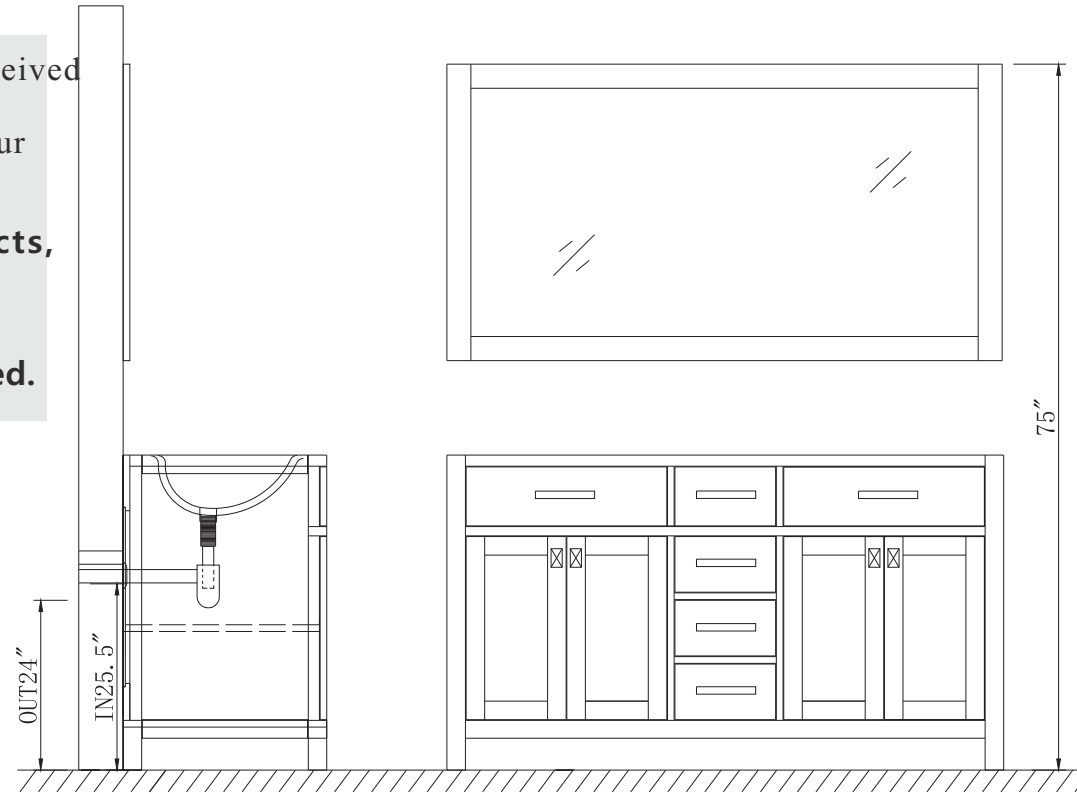
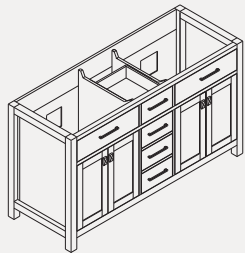


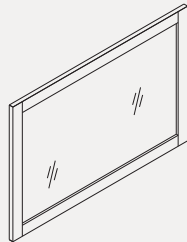
- Prior to **installation** please check received items **against** the **Packing List**
Please report any **missing** items to your local dealer **immediately**.
- Protect all **surfaces** from sharp **objects**, high heat sources, direct **prolonged** sunlight and **chemical hazards**.
- **Professional** installation recommended.



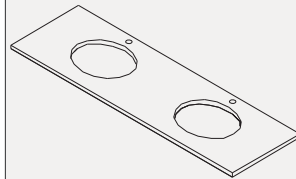
PACKING LIST



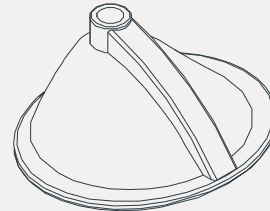
Main cabinet/1



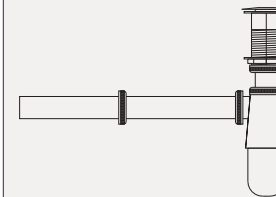
Mirror/2



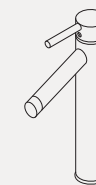
top/3



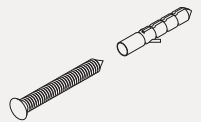
Ceramic basin/4



POP UP+Drain pipe/5

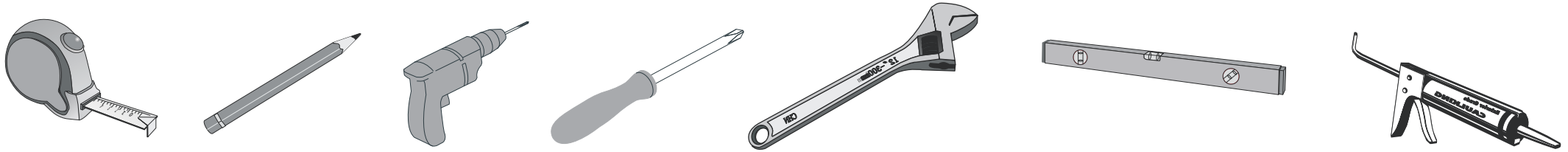


FAUCET/6

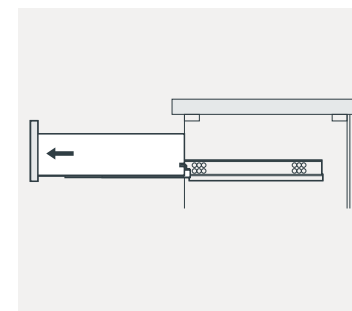
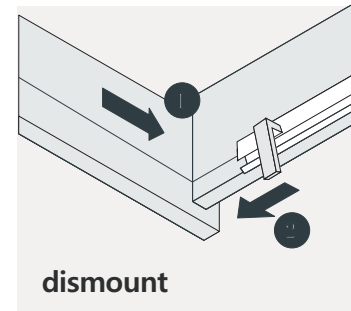
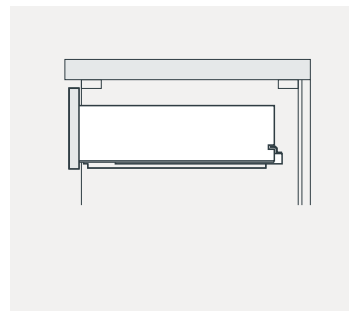
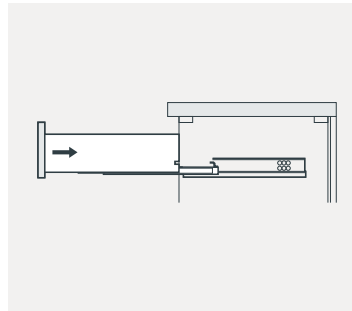
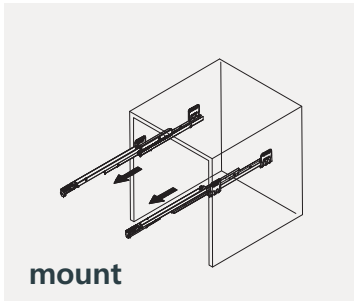


Install screw/7

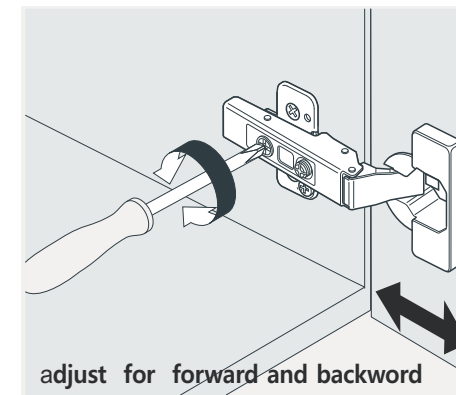
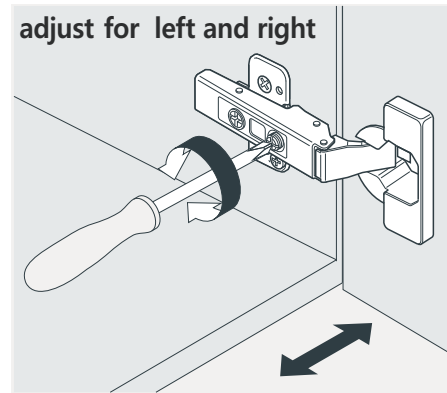
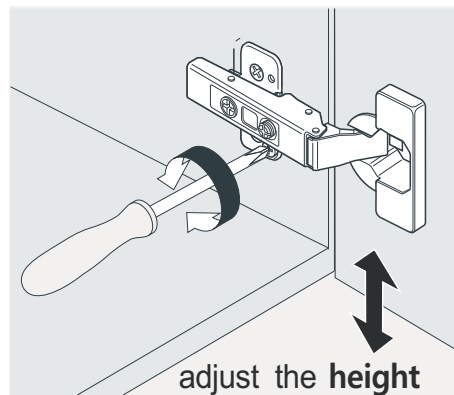
REQUIRED TOOLS



DRAWER SLIDER ATTACHMENT AND DETACHMENT



INSTALLATION AND ADJUSTMENT OF HINGES



INSTALLATION PROCESS

