



### Features

- Bask® heated surface creates spa-like relaxation with soothing warmth on your back, shoulders, and neck.
- Three heat settings allow you to customize the surface temperature.
- 118 to 122 airjets release thousands of bubbles that surround, support, and massage the body.
- Variable-speed blower lets you adjust massage intensity to 18 levels.
- Freestanding design creates a striking focal point in your bathing area.
- 16-inch depth offers a deep soaking experience.
- Integral lumbar support.
- Textured bottom surface.
- Wide ledge on one side is ideal for deck-mount faucet and/or handshower.

### Material

- Acrylic

### Hydrotherapy

- BubbleMassage

### Installation

- Freestanding
- PureFlo™ drains are not recommended for a deck-mount faucet installation.

### Additional Hydrotherapy Options

- Soaking Bath - K-6369-0
- Soaking Bath + Bask heated surface - K-6369-W1
- BubbleMassage air bath - K-1967-G
- BubbleMassage air bath + Bask heated surface - K-1967-GW
- VibrAcoustic - K-1967-VB
- VibrAcoustic + Bask heated surface - K-1967-VBW
- Wireless Music Kit Accessory - K-24916-NA

### Recommended Products/Accessories

K-7265 Clearflo Bath Drain  
K-37383 30" Rough-in Cable Bath Drain  
K-37386 rough-in cable drain, PVC, 30" cable  
K-24916 Wireless Music Kit



### Codes/Standards

ASME A112.19.7/CSA B45.10  
CSA B45.5/IAPMO Z124  
UL 1795  
Greenguard UL 2818 - Gold



**KOHLER® Plastic Baths and Receptors  
Lifetime Limited Warranty  
KOHLER® Hydrotherapy Components  
Five-Year Limited Warranty**

See website for detailed warranty information.

### Available Colors/Finishes

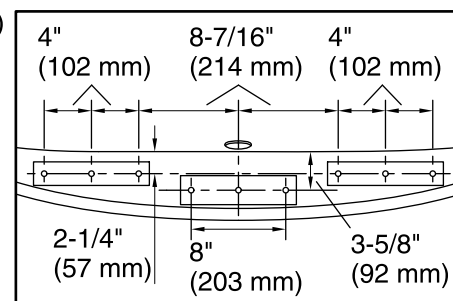
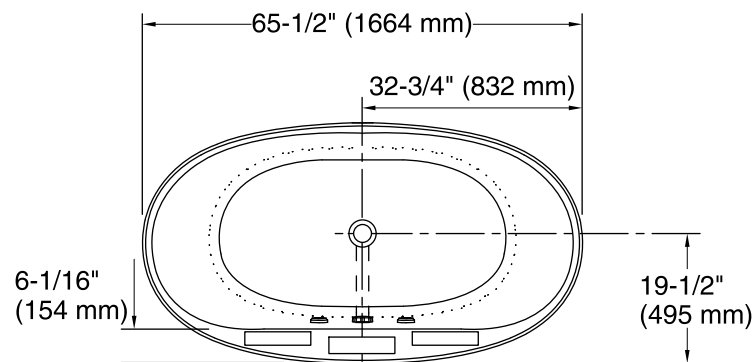
*Color tiles intended for reference only.*

#### Color Code Description

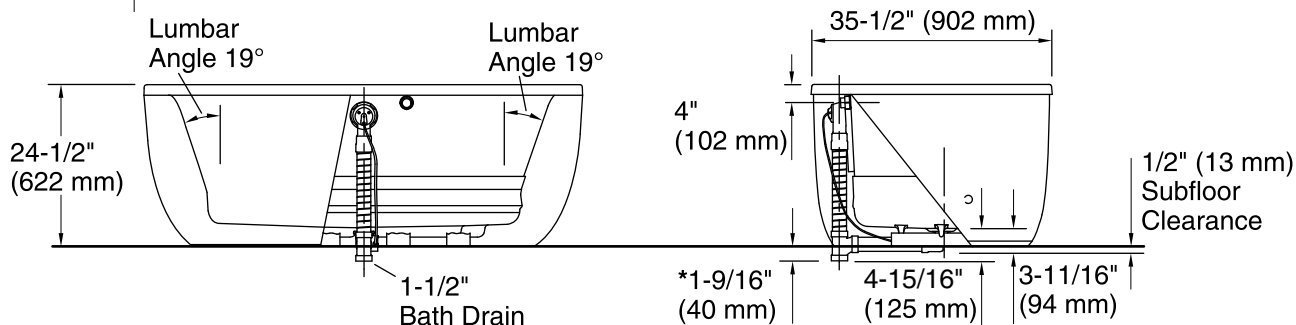
	0	White
	96	Biscuit

No change in measurements if connected with drain illustrated. (K-37383)

☐ Recommended Faucet Location



**Recommended Faucet Hole Location**



\*Allow for appropriate clearance in subfloor for drain tee clearance.

**Note:** Horizontal PVC pipe and tee shown, not included.

### Required Electrical Service

One dedicated circuit required, protected with Class A Ground-Fault Circuit-Interrupter (GFCI) or Residual Current Device (RCD).

Blower, Heated Surface: 120 V, 15 A, 60 Hz

### Technical Information

All product dimensions are nominal.

Installation: Freestanding  
 Drain location: Center  
 Basin area, bottom: 45-3/4" x 24-7/8" (1162 mm x 632 mm)  
 Basin area, top: 54-7/8" x 29-3/16" (1394 mm x 741 mm)  
 Weight: 91 lbs (41.3 kg)  
 Minimum floor load: 40.4 lbs/ft<sup>2</sup> (197.3 kg/m<sup>2</sup>)  
 Water depth: 16" (406 mm)  
 Water capacity: 72.6 gal (274.8 L)  
 Template: Footprint, 1245667, not required, not included  
 Electrical component rating:  
 Blower: 120 V, 10 A, 60 Hz  
 Heated Surface: 120 V, 0.5 A, 60 Hz, 65 W

### Notes

Measure your actual product for rough-in details. Install this product according to the installation instructions.

The hot water supply should be 70% of the capacity of the bath or greater. Installations will vary.

Remote blower motor installation is required. Relocation kit is included.

If installing a rim-mount faucet, make sure there is no interference above or below the deck before drilling any holes.