

### Features

- Digitally controlled thermostatic mixing valve.
- Anti-scald protection.
- Three independently controllable 1/2" outlets with copper tube connections.
- Up to 13 gpm maximum flow rate (8.0 gpm maximum flow from one outlet).
- 1/2" inlets with copper tube connections.
- High temperature limit setting for additional protection.

### Material

- Reinforced engineering grade thermoplastic body.

### Installation

- Can be mounted within a standard 2x4 wall cavity.
- Pre-wired with three-prong plug for connection to 110v AC receptacle.

### Required Products/Accessories

K-99695 System Controller Module

### Included Components

Additional Components:

25' Cable  
Filter screens  
Jumper  
Mounting hardware

Loose component/s: Mounting hardware, Jumper, and 20 ft Cable.

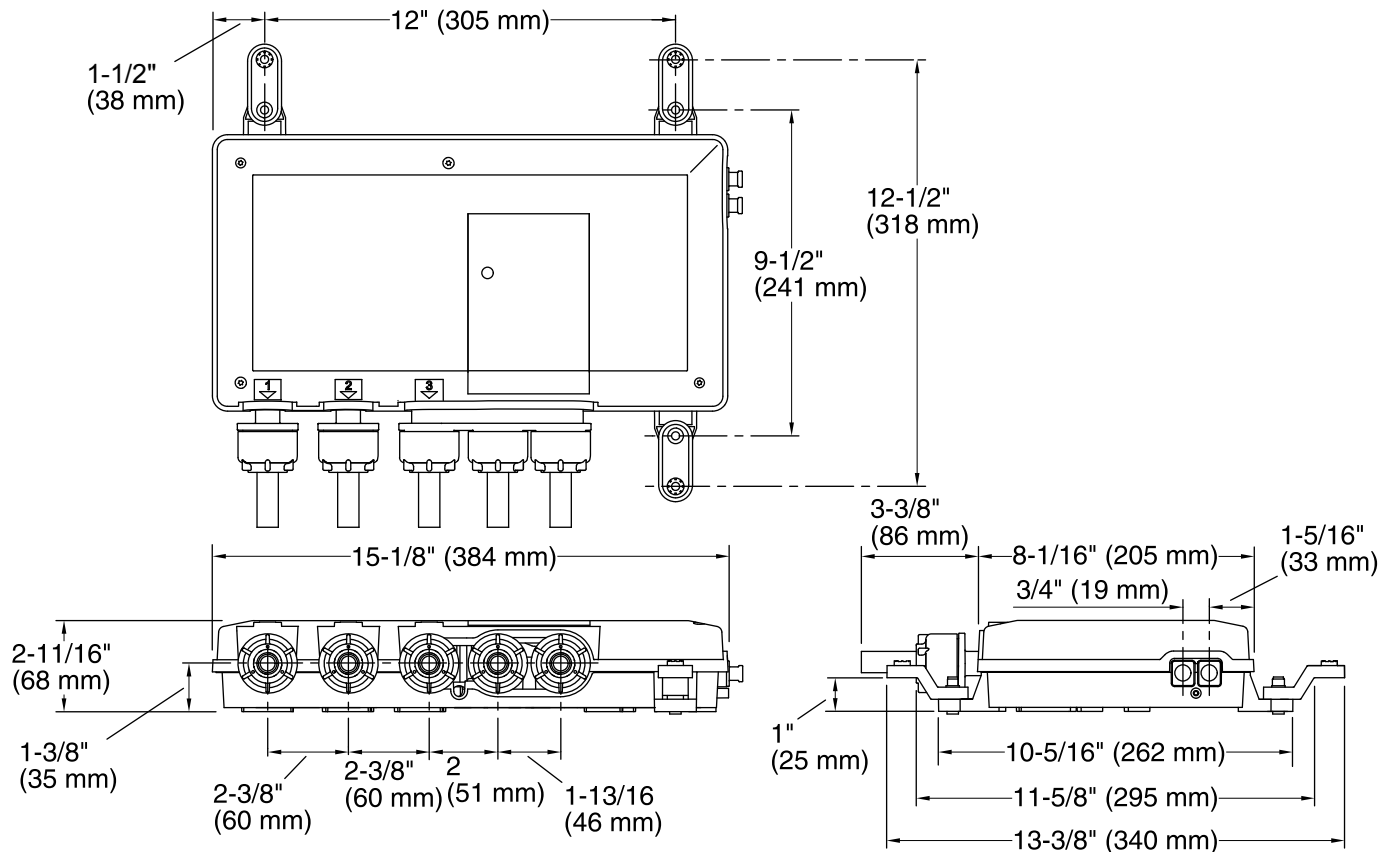


### Codes/Standards

ASME A112.18.1/CSA B125.1  
ASSE 1016/ASME A112.1016/CSA B125.16  
UL 1951

### KOHLER® Electronic Faucets, Valves, and Controls Five-Year Limited Warranty

See website for detailed warranty information.



### Required Electrical Service

One circuit required.

120 V, 15 A, 60 Hz

### Technical Information

All product dimensions are nominal.

Max. Ambient temp: 104°F (40°C)

Max. Relative humidity 95%

non-condensing:

### Notes

Install this product according to the installation guide.

If used for bath-shower system, the bath spout must be connected to the #1 outlet port and restricted to 10 gal/min (37.9 l/min) maximum.

Provide access for servicing valve.

Use 1/2" supply lines.

Do not install this valve in walls exposed to subfreezing temperatures.

Avoid mounting the valve in a wall adjacent to a frequently occupied room, such as a bedroom or living room.

Pressure regulators are strongly recommended in applications where large pressure swings are anticipated or pressure differences between the supplies exist, such as commercial installations with separate hot and cold supply systems.

Water hammer arrestors and shut-offs are required in both the hot and cold supplies.

A 1/2" cap must be installed on any unused outlet.