

Basket Strainer Drain

#TB35-01 (Antique Copper), #TB35-03 (Stainless Steel)

SINKOLOGY®

3.5" Basket Strainer Drain with Post Style Basket

Sinkology drains are designed to match our unique sink materials and finishes. With an ultra-durable solid construction that is hand-finished, our drains are beautiful and functional. Our lifetime warranty guarantees the durability of this strainer for as long as you own it.

FEATURES

- **4.5" x 4.5" x 2"**
- Designed to fit sinks that do not require a disposal
- Fits 3.5" drain size
- Easy to install
- Basket strainer features removable basket for easy cleaning
- Solid construction
- Protected by our lifetime warranty



AVAILABLE COLORS / FINISHES

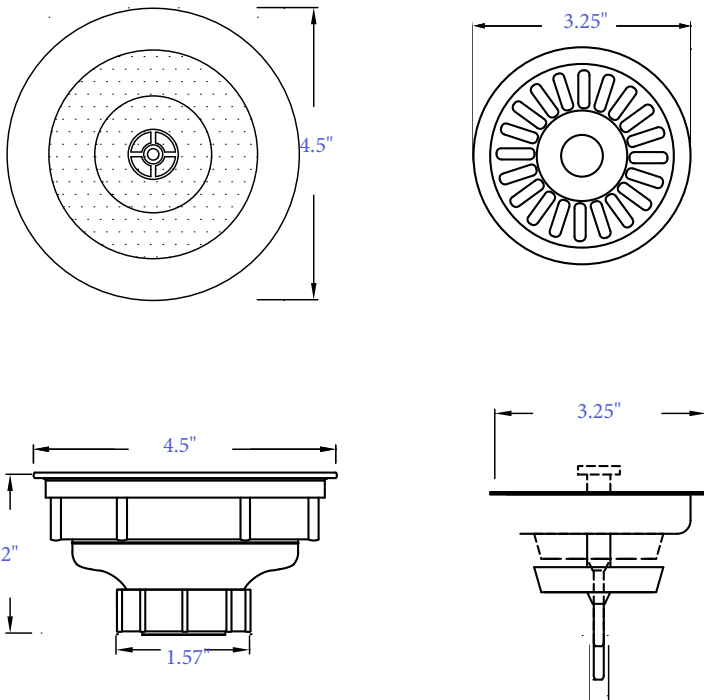


Antique Copper (#TB35-01)



Stainless Steel (#TB35-03)

DIMENSIONS



LIFETIME WARRANTY

All Sinkology products are fully backed with a lifetime warranty - the Sinkology Everyday Promise™.



RECOMMENDED PRODUCTS

Sinkology Kitchen Sinks that do not require a disposal

INSTALLATION

Sinkology® kitchen drains are designed to fit any standard drain hole. For more information, visit www.sinkology.com.

Sink drain installation instructions are available on the BILT® App. Download the BILT App today and search "Sinkology" to find install instructions specifically for your product and installation type or scan the QR Code for easy access.

SCAN FOR BILT. 3D INSTRUCTIONS



POWERED BY BILT INTELLIGENT INSTRUCTIONS®

SINKOLOGY®