







# ASSEMBLY INSTRUCTIONS

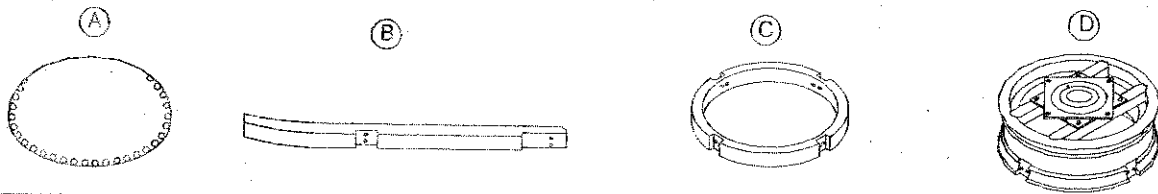
MODEL: TA-68824-LC-CTR-GG TA-68829-LC-GG

Please read this instruction carefully. Refer to hardware and furniture parts list for guidance. Be sure all parts are complete before assembling. Place all wooden furniture part on a clean and flat soft surface to prevent scratches. Do not tighten all screws until the stool is fully set up.

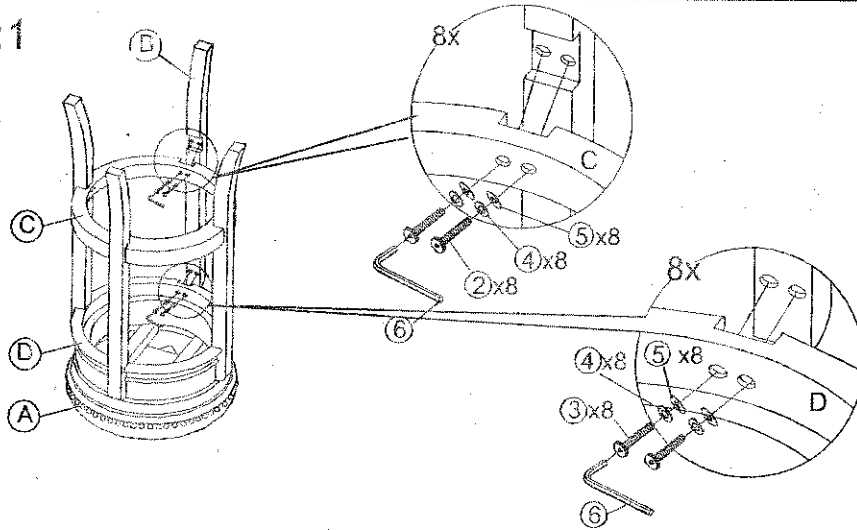
\*\*\*\*\*

PART LIST		
ITEM	DESCRIPTION	QTY
A	Cushion seat	1pc
B	Chair Leg	4pcs
C	Footrest	1pc
D	Swivel steel frame	1pc

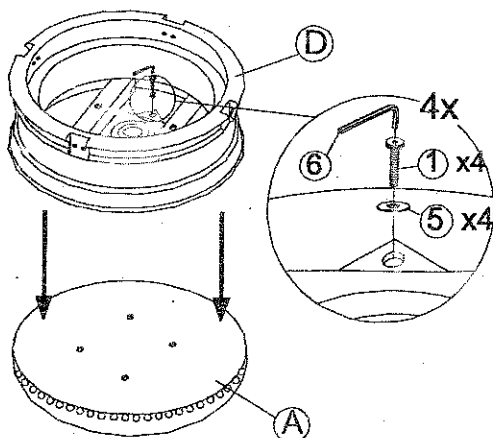
HARDWARE LIST		
ITEM	DESCRIPTION	QTY
1	JCBC Screw M6x15mm 	4pcs
2	JCBC Screw M6x35mm 	8pcs
3	JCBC Screw M6x40mm 	8pcs
4	Spring Washer M6x10mm 	16pcs
5	Flat Washer M6x16mm 	20pcs
6	Allen Key Small M4 	1pc



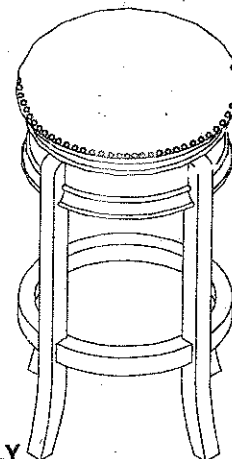
## STEP:1



## STEP:2



## STEP:3



COMPLETED ASSEMBLY

NOTICE: Before assembly screws, have to make sure that legs were keep in a stable position, and then tightening screws, if not, the chairs will be wobble. Even though the stability test passed, but that need to adjust screws, and hold on legs are stable before screws were be tightened.