



Look inside for Assembly Manual

Check us out!



Littleseedskids.com

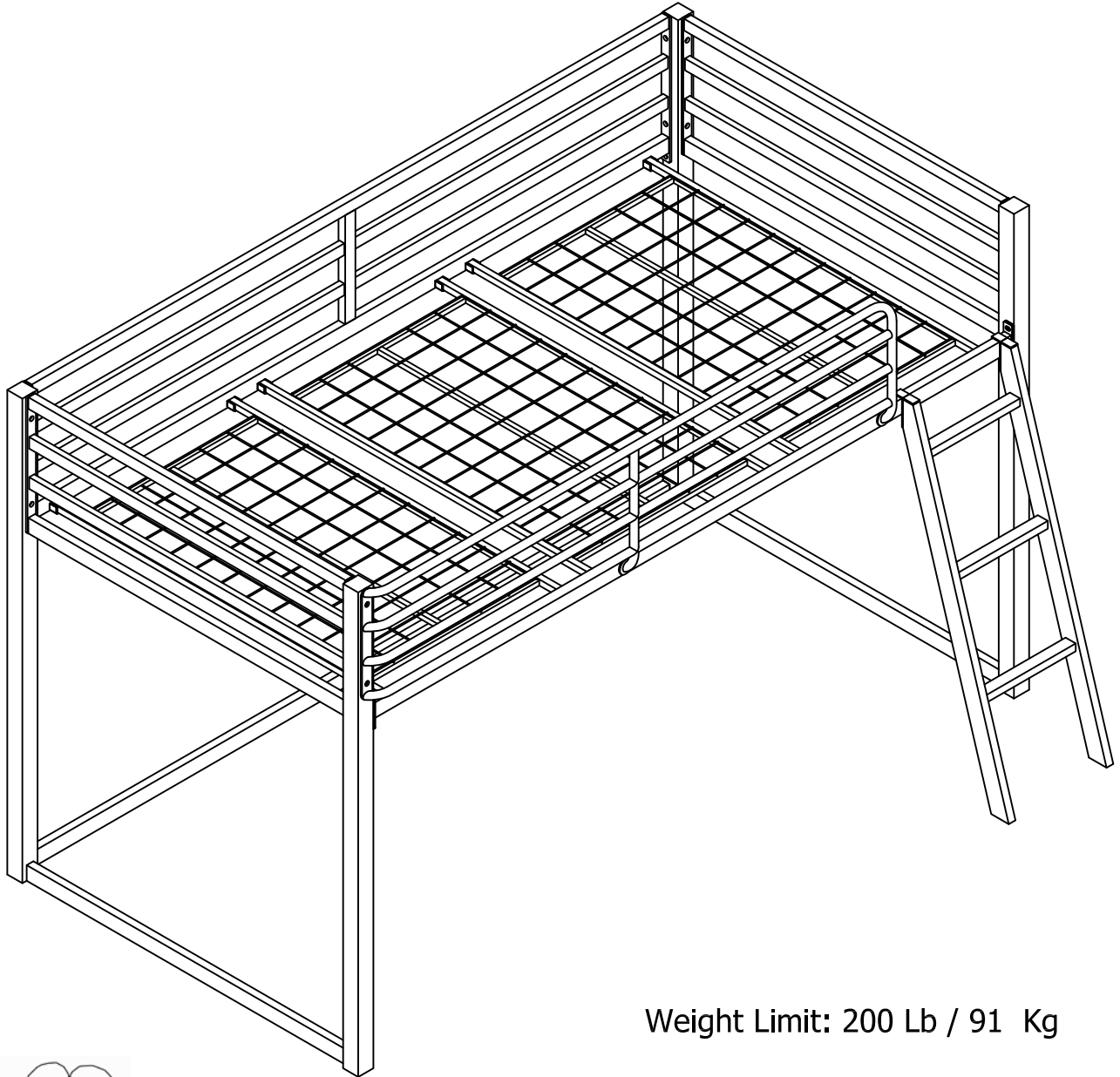
4555629LS

Little Seeds Junior Haven Loft Bed-Twin, Navy/Gold

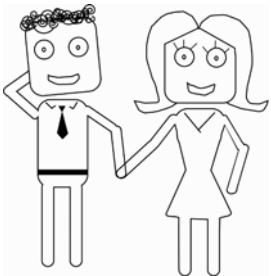


B344555629LS00

Keep this Assembly Manual for future reference.



Weight Limit: 200 Lb / 91 Kg



Two adults
recommended
for assembly

This product is not intended for commercial use.

DO NOT return this product to the store.

For missing or broken parts:

- Visit littleseedskids.com
- Write to cs@dhpffurniture.com
- Call 1 800-267-1739

Follow little seeds on





Register your product to receive the following:



- * New trend details - sneak peek on what's new
- * Surveys - have a voice within our community
- * Exclusive deals and discount codes
- * Quick and easy replacement part service

To register your product, visit littleseedskids.com

5 Star Rating



Visit your local retailer's website, rate your purchased product and leave us some feedback!

We would like to extend a big "Thank You" to all of our customers for taking the time to assemble this Little Seeds product, and to give us your valuable feedback.

Thank You!



Do NOT return this product to the store!

Contact our friendly customer service team first for help.



Contact us!
CS@dhpffurniture.com



1 800-267-1739
Monday - Friday
9:00 am - 9:00 pm(Eastern Time)
Saturday 10 am - 6:30 pm(Eastern Time)
Sunday 11 am - 7 pm(Eastern Time)



Visit:
littleseedskids.com



Assembly Tips

Helpful Hints

ESTIMATED ASSEMBLY TIME: 1.5 Hour(s)

- Open your item in the area you plan to keep it for less heavy lifting.
- Identify, sort and count the parts before attempting assembly.
- Do NOT use harsh chemicals or abrasive cleaners on this item.
- Never push, pull, or drag your furniture.
- Read each step carefully. It is important that each step of the instructions is performed in the correct order. If these steps are not follow in sequence, assembly difficulties will occur.

Caution

- This product is designed for home use and not intended for commercial use,
- This product contains small components. Please ensure that they are kept away from small children.
- Do not use power tools to assemble your product. Power tools may strip or damage the parts.




4555629LS


Little Seeds Junior Haven Loft Bed-Twin, Navy/Gold

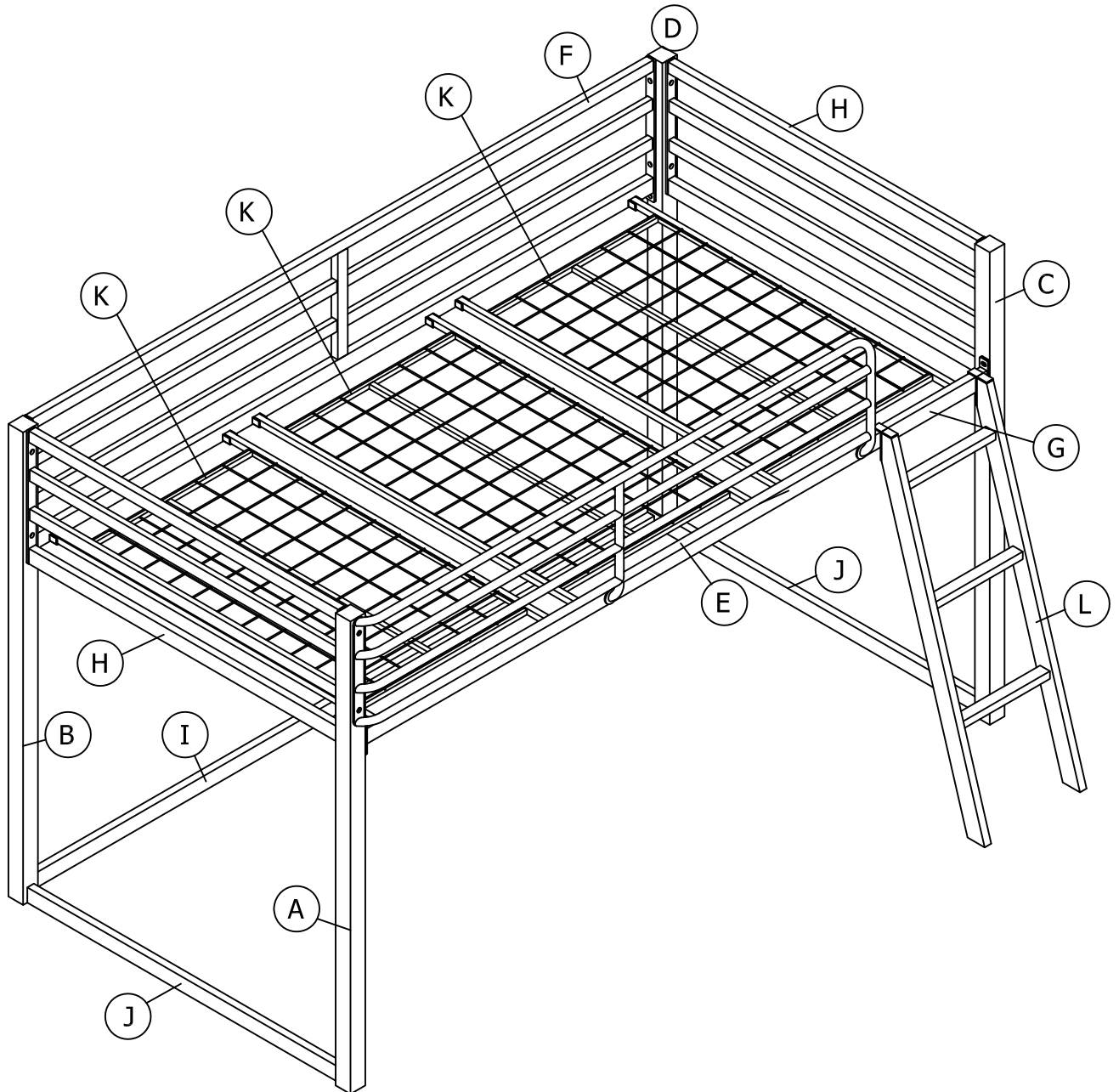


Part Identification

Not actual size

 All in 1 big box!

 There are inner box(es) that include components required to complete this assembly.




4555629LS


Little Seeds Junior Haven Loft Bed-Twin, Navy/Gold

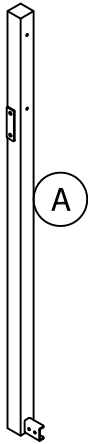


Part Identification

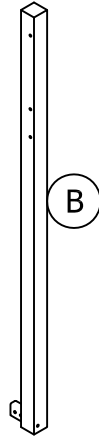
Not actual size

 All in 1 big box!

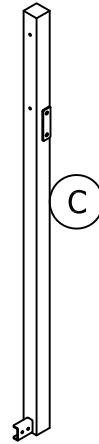
 There are inner box(es) that include components required to complete this assembly.



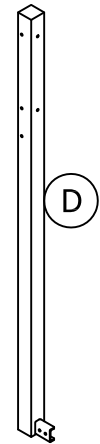
Leg Post
T990000
X 1



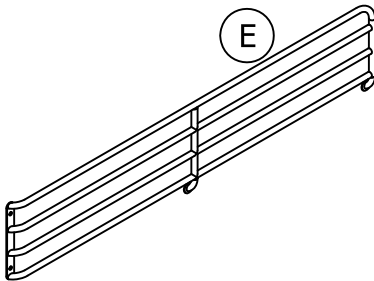
Leg Post
T990010
X 1



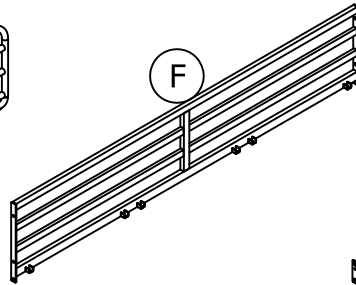
Leg Post
T990020
X 1



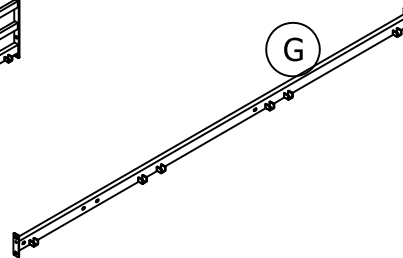
Leg Post
T990030
X 1



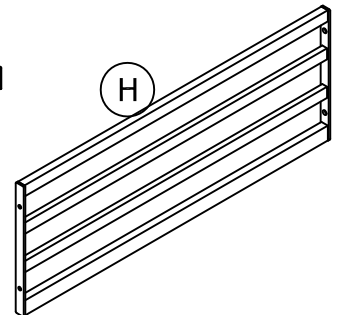
Front Guardrail
T989930
X 1



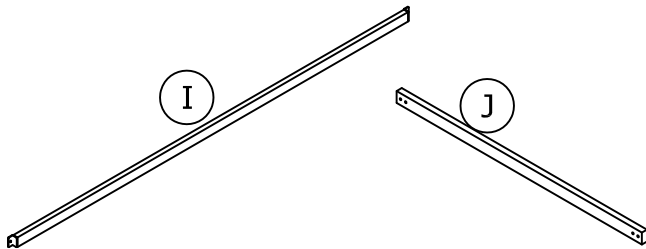
Back Guardrail
T990040
X 1



Front Brace
T990050
X 1

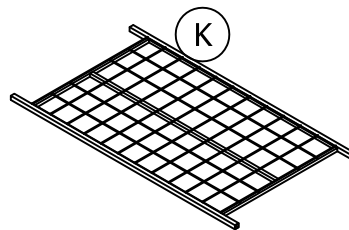


Side Panel
T990060
X 2

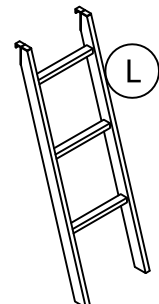


Back Brace
T990070
X 1

Side Brace
T990080
X 2



Base Frame
T990090
X 3



Ladder
T990100
X 1



4555629LS

Little Seeds Junior Haven Loft Bed-Twin, Navy/Gold



Hardware List

Actual Size

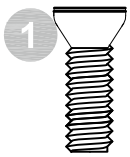
Hardware Pack #: T4555629LS-00



Please do not completely tighten all the hardware, until the entire assembly is completed, unless otherwise indicated in the step-by-step instructions.



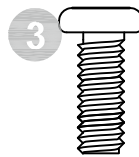
The screw(s), bolt(s) to be used at each step are shown in actual size in the lower right corner of the page.



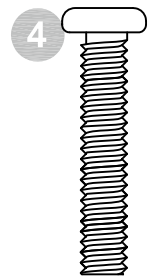
1/4" X 3/4"
X 14



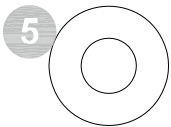
GOLD
1/4" X 3/4"
X 2



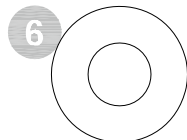
1/4" X 5/8"
X 26



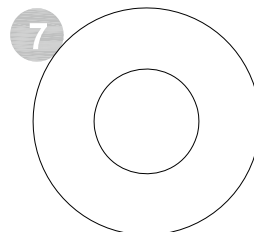
5/16" X 1-1/4"
X 4



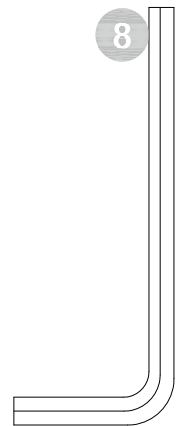
Φ 5/8"
X 26



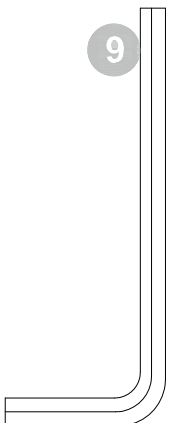
Φ 3/4"
X 2



Φ 1-3/16"
X 2



4mm
X 1



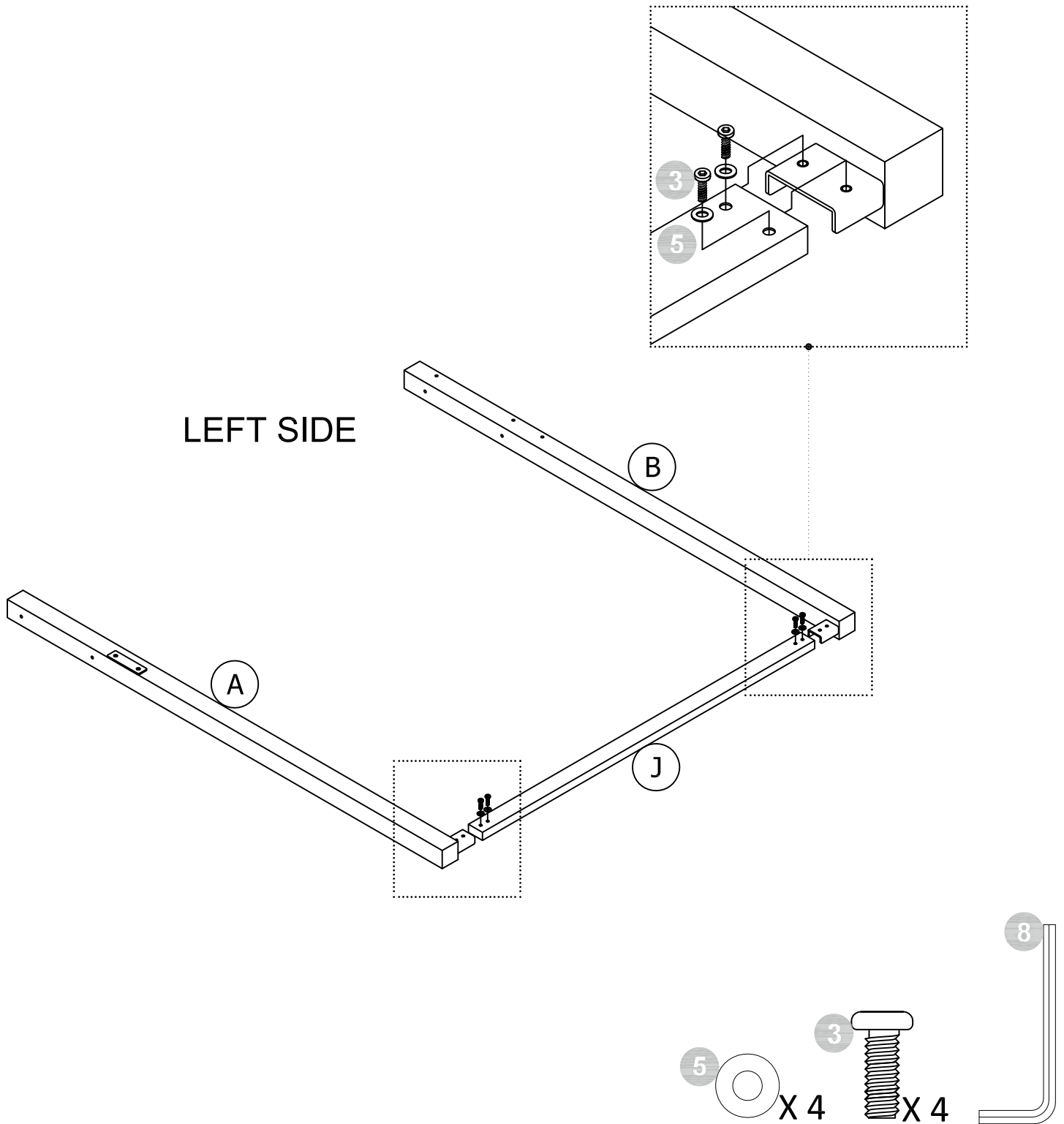
5mm
X 1



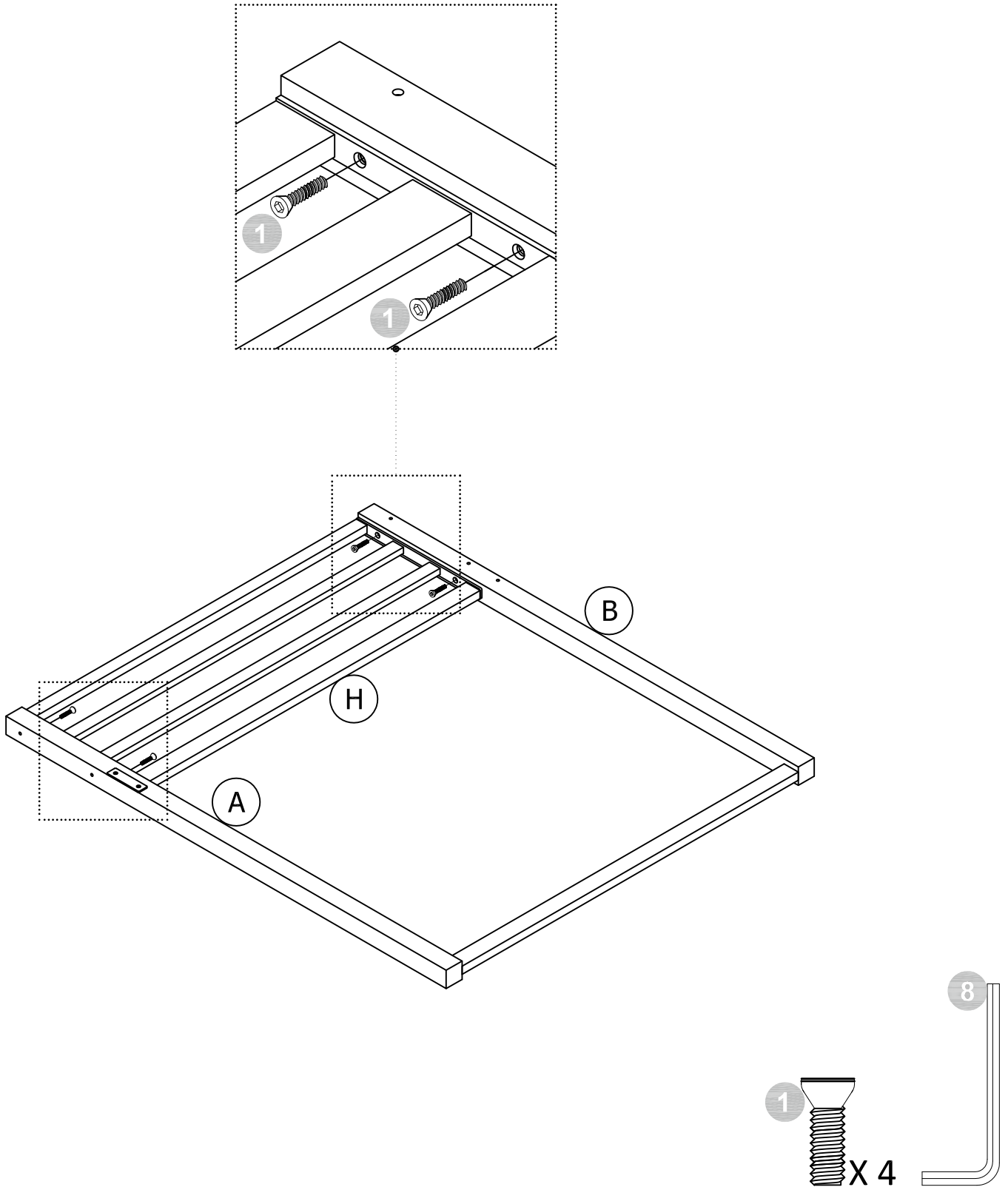
Step 1

ASSEMBLY

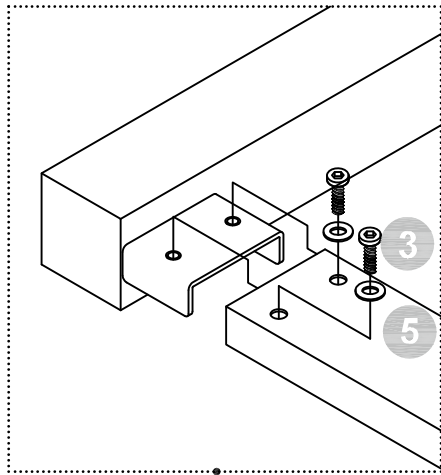
Do not fully tighten all bolts until assembly is complete.
This will help all parts to assemble properly.



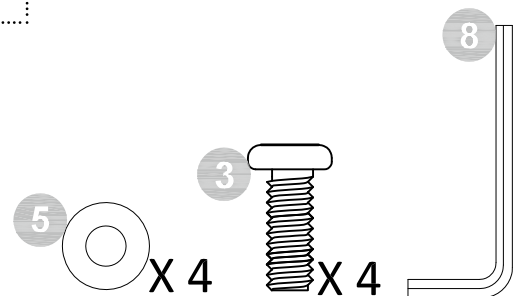
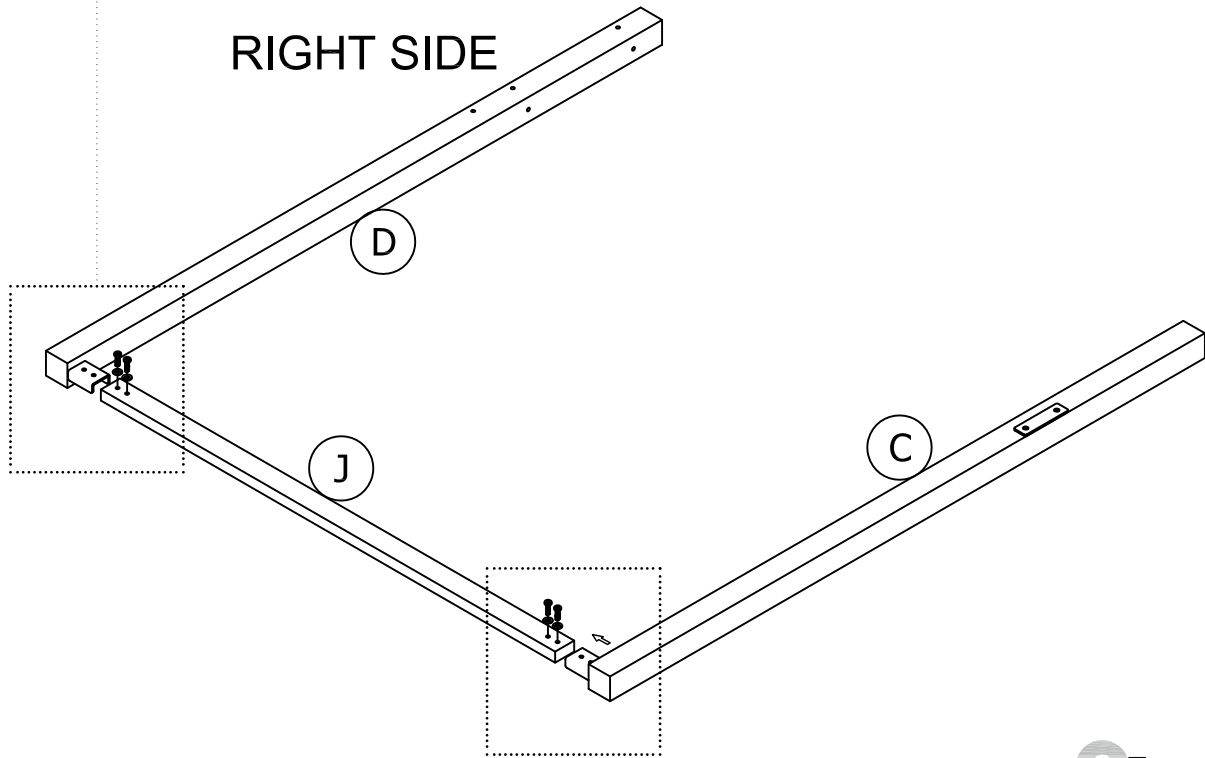
Step 2



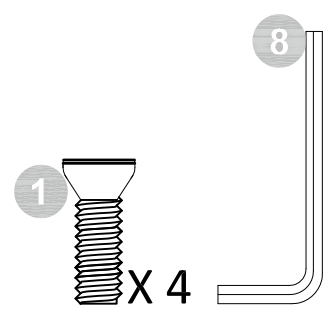
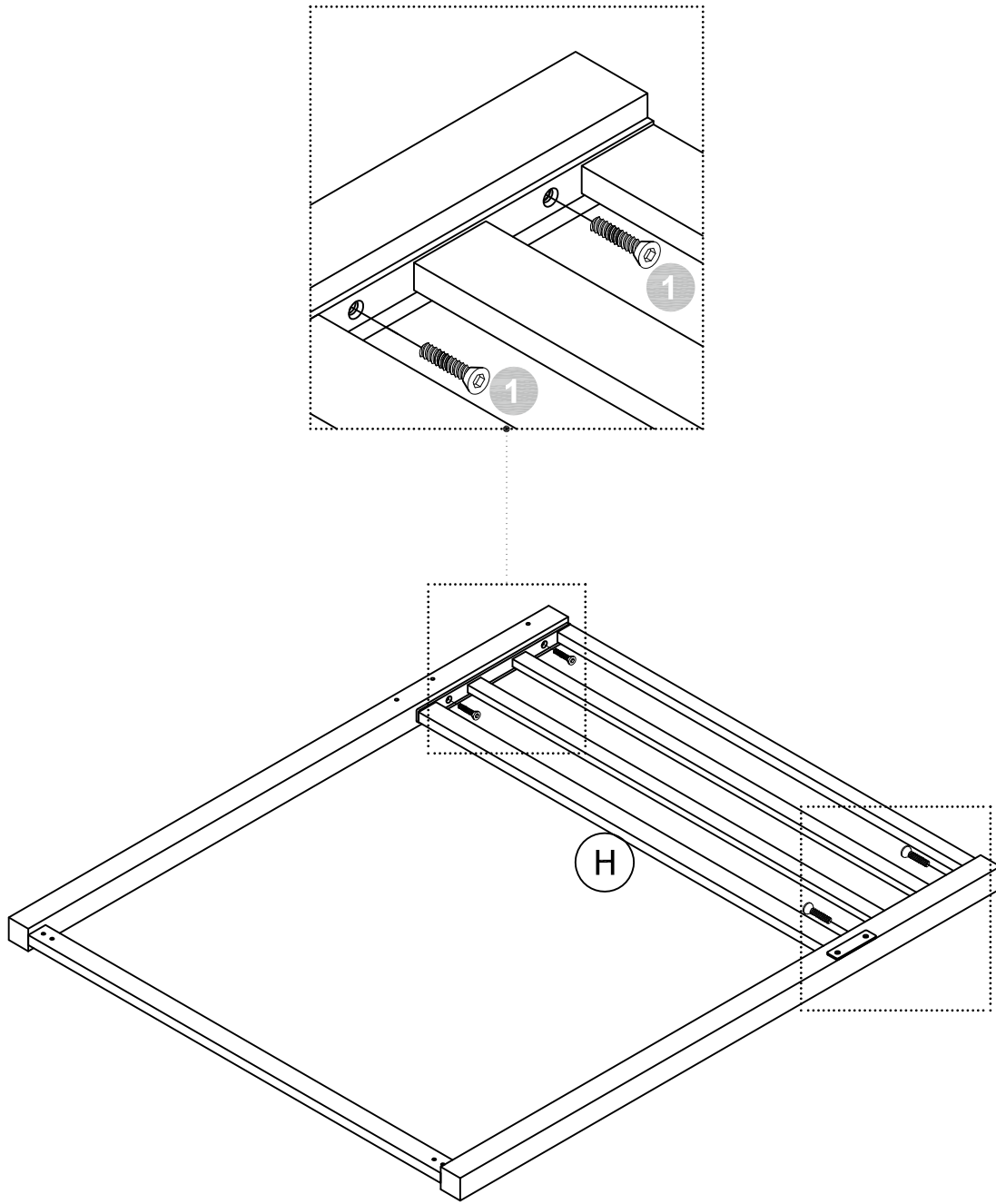
Step 3



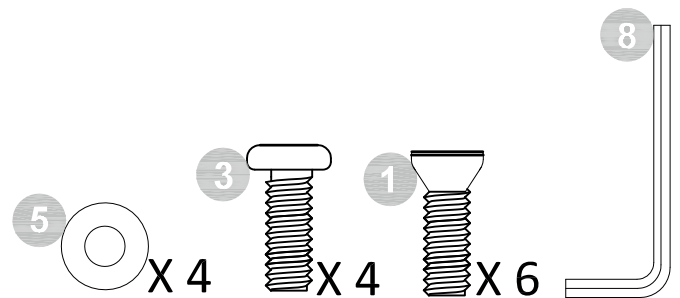
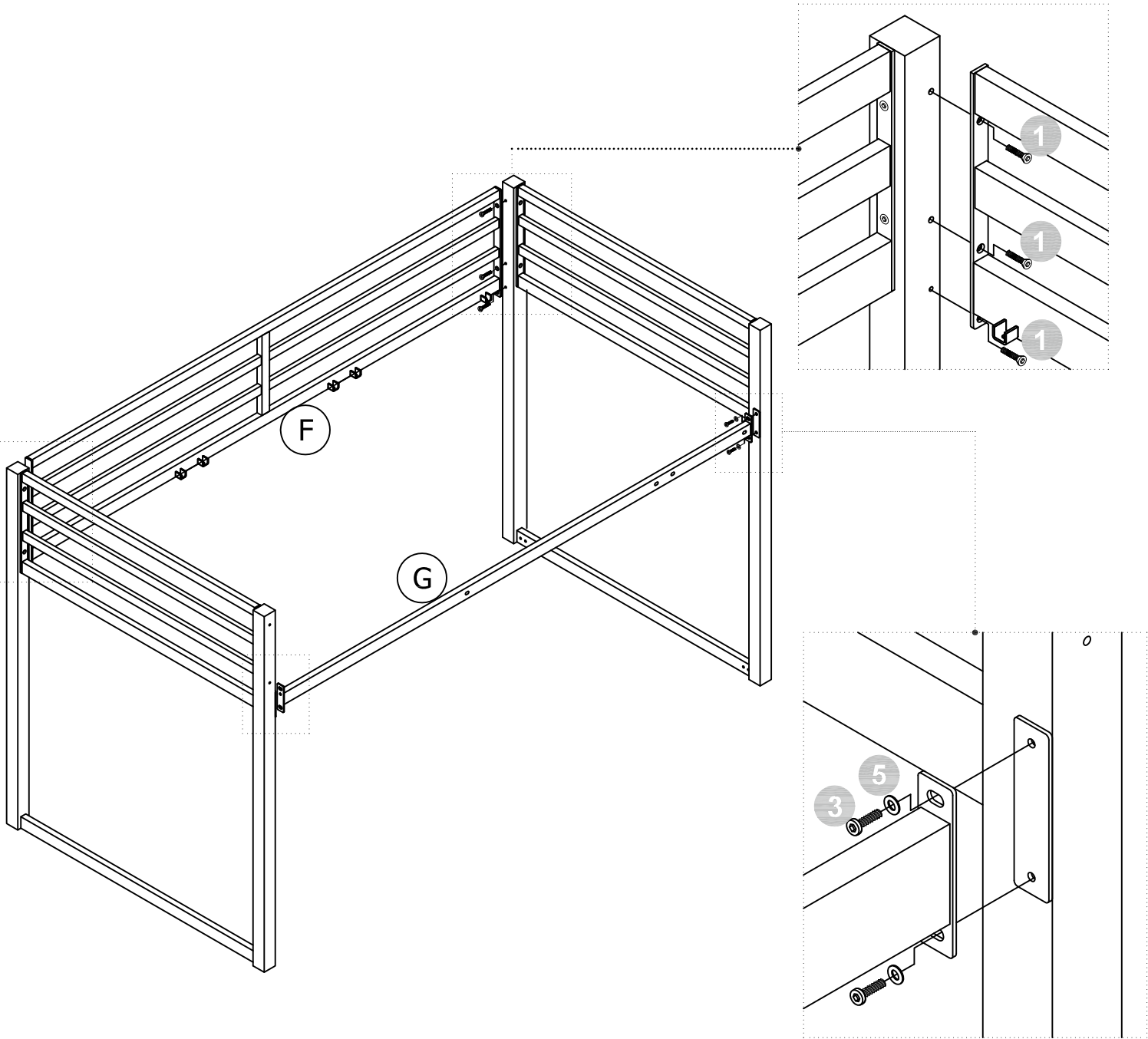
RIGHT SIDE



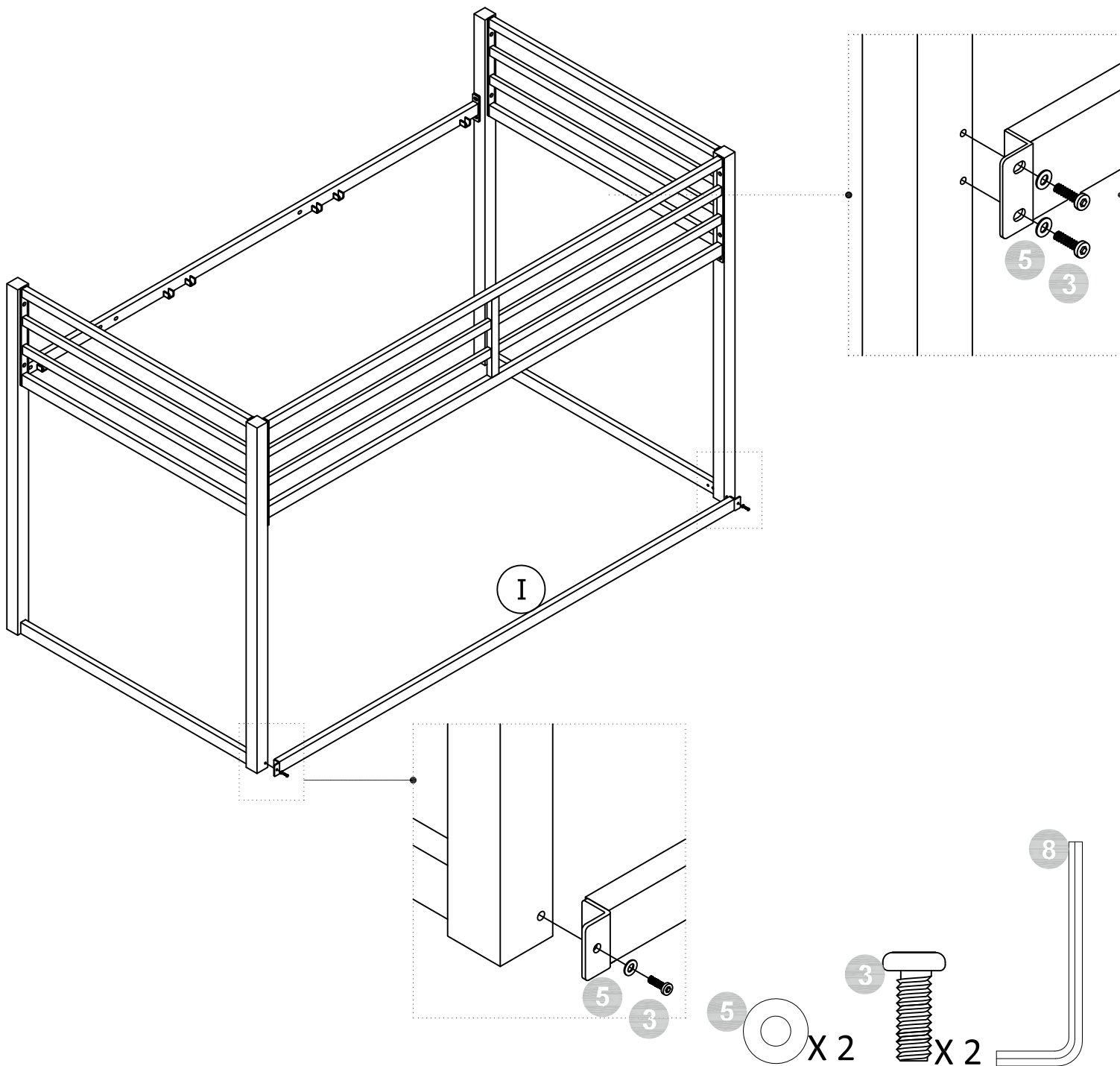
Step 4



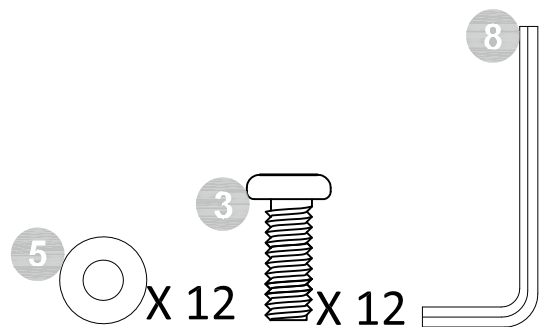
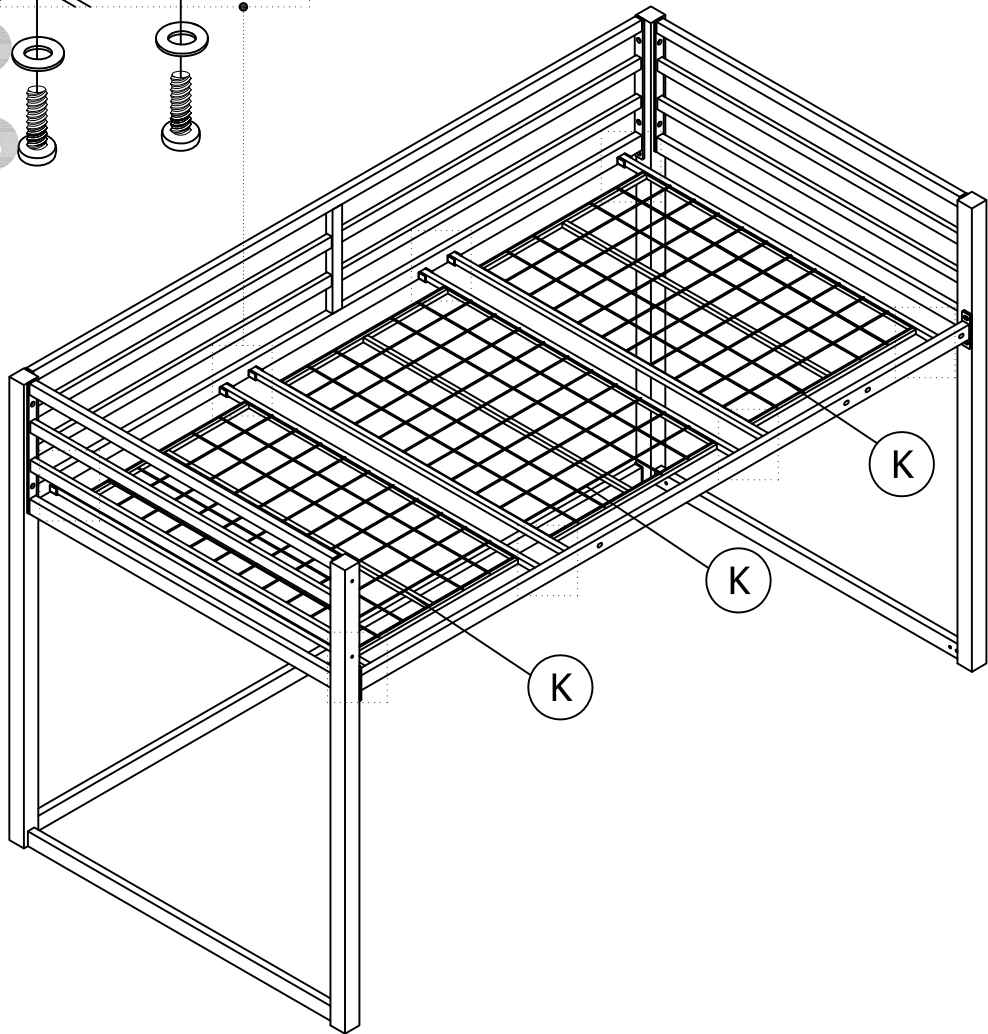
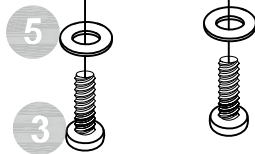
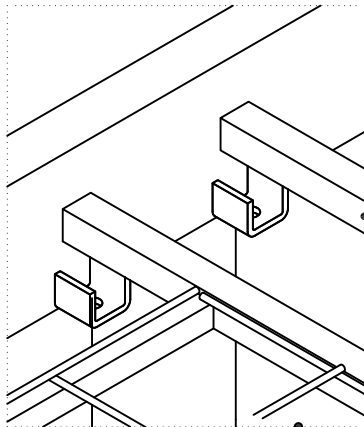
Step 5



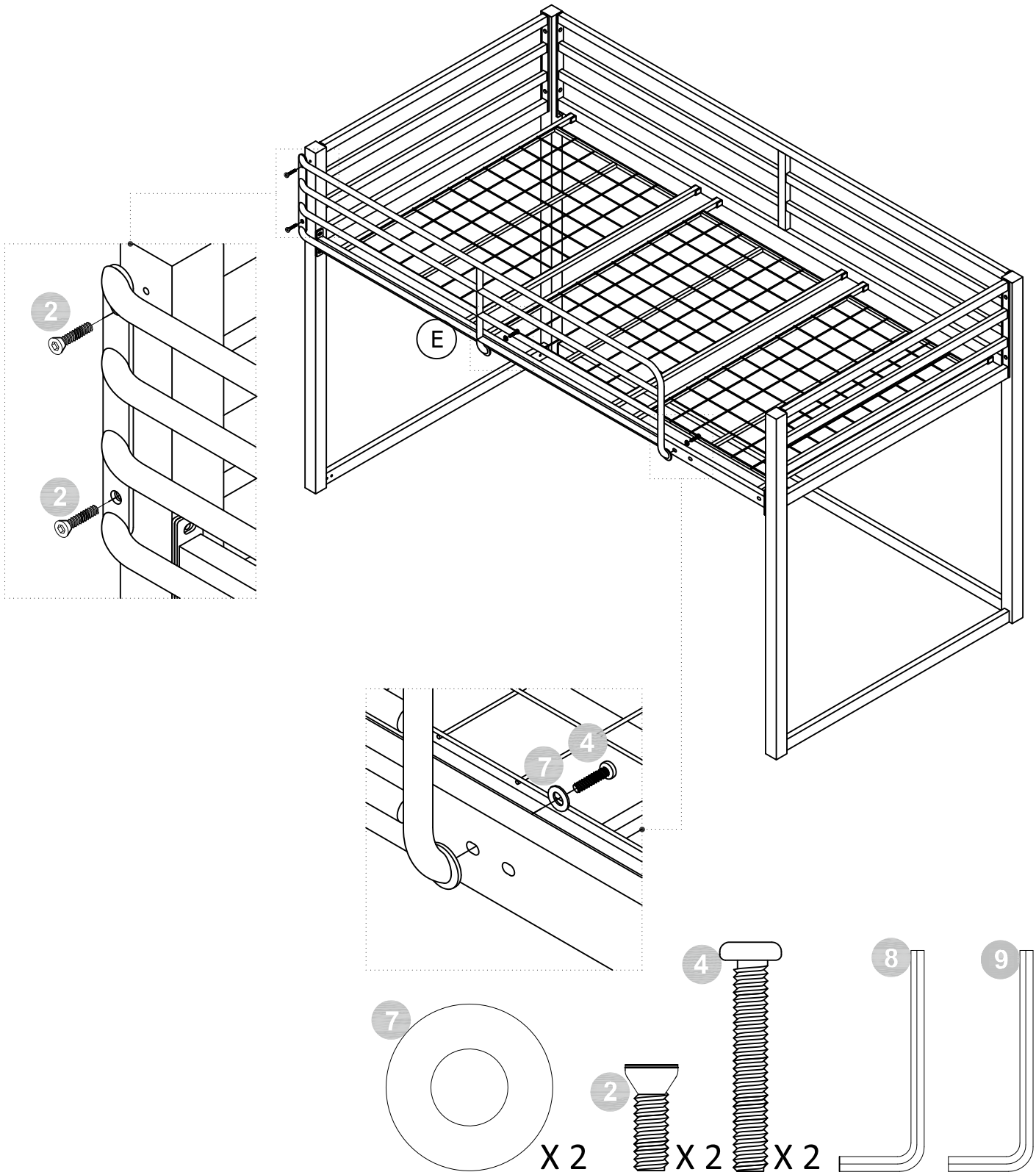
Step 6



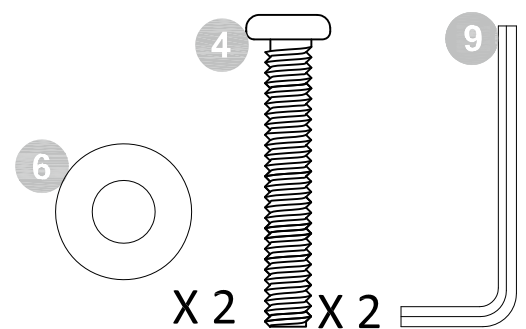
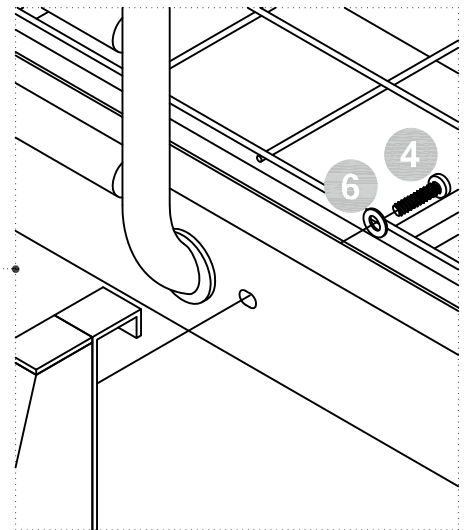
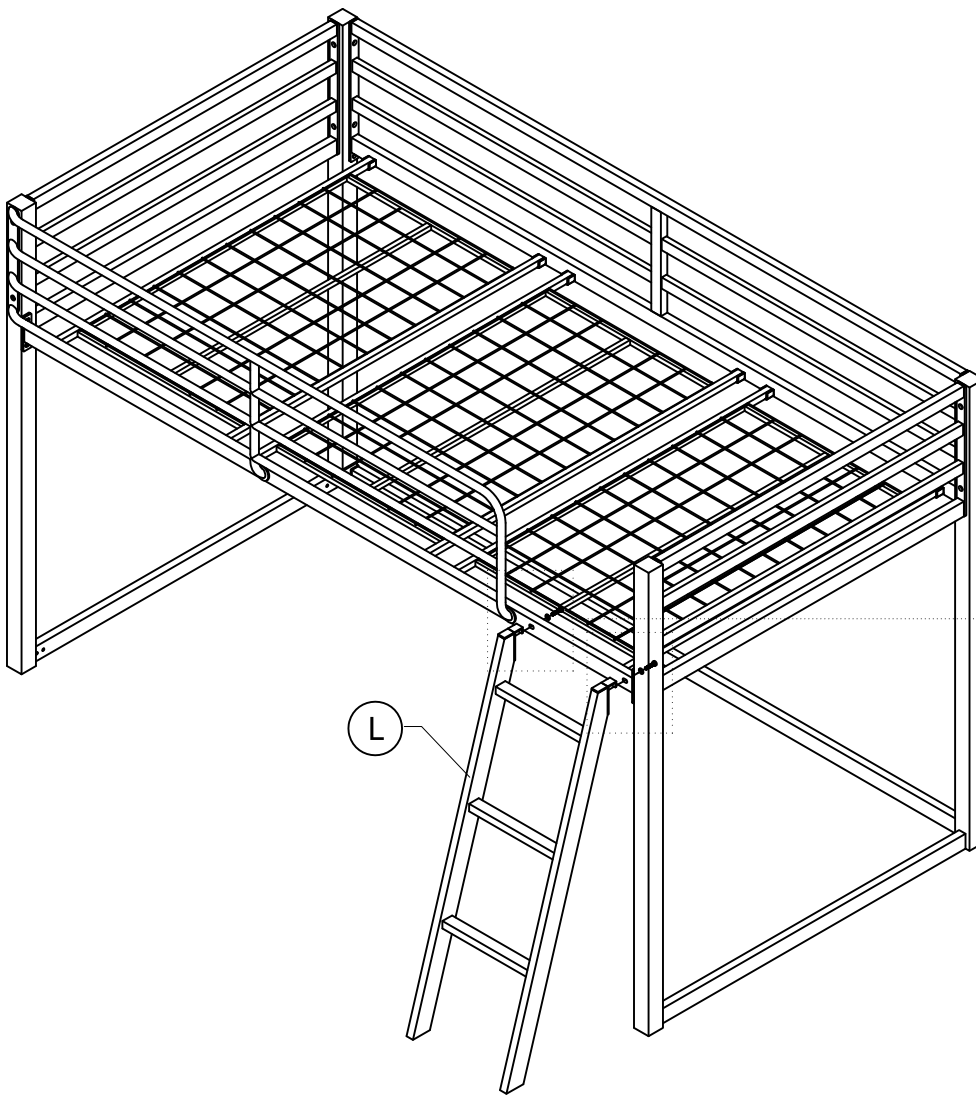
Step 7



Step 8



Step 9



4555629LS

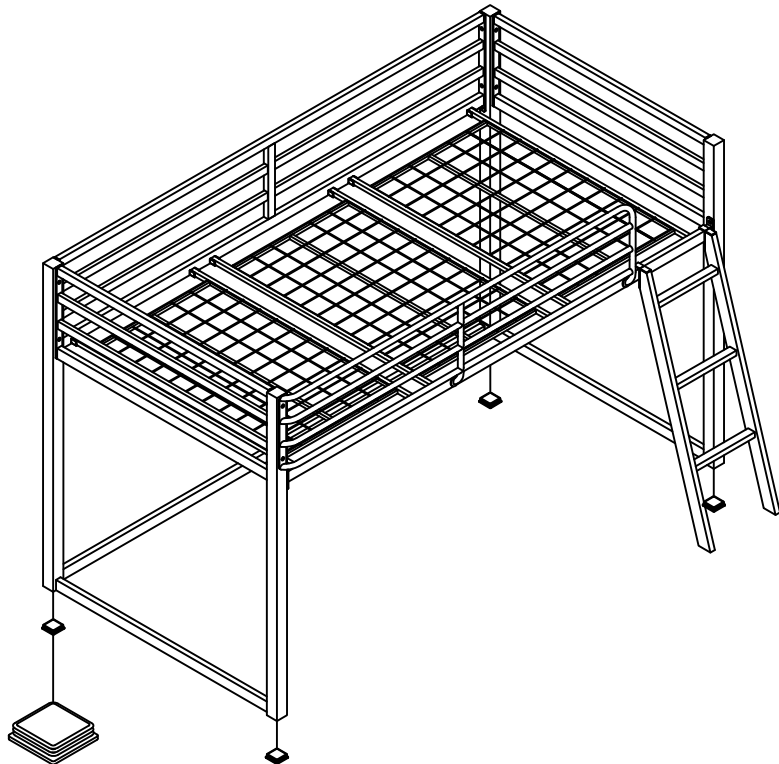
Little Seeds Junior Haven Loft Bed-Twin, Navy/Gold



⚠️ Weight Limit: 200 Lb / 91 Kg

Helpful Hints

- Move your new furniture carefully, with two people lifting and carrying the unit to its new location.
- Your DHP furniture can be disassembled and reassembled to move.
Some parts have been pre-assembled for this item. They are illustrated on this page and available for replacement.



⚠️ WARNINGS

- To help prevent serious or fatal injuries from entrapment or falls:
- Never allow a child under 6 years on upper bunk.
- Use only mattress which is 74" - 75" long and 37 1/2" - 38 1/2" wide on upper bunk.
- Ensure thickness of mattress does not exceed 6" and mattress is at least 5" below upper edge of guardrails.
- Use guardrails on both sides of upper bunk.
- Prohibit horseplay on or under bed(s).
- Prohibit more than one person on upper bunk.
- Use ladder for entering and leaving upper bunk.
- **STRANGULATION HAZARD** - Never attach or hang items to any part of the bunk bed that are not designed for use with the bed; for example, but not limited to, hooks, belts and jump ropes.

DO NOT REMOVE THIS LABEL



4555629LS

Little Seeds Haven Metal Twin Loft Bed, Navy/Gold



WARNINGS for Bunk Bed

- Follow the information on the warnings appearing on the upper bunk end structure and on the carton. Do not remove warning label from bed.
- Always use the recommended size mattresses or mattress supports, or both, to help prevent the likelihood of entrapment or falls.
- Use only a twin mattress which is 74"-75" long and 37½"-38½" wide on upper and lower bunk.
- Ensure thickness of mattress on upper bunk is greater than 4" and that it does not exceed 6".
- Surface of mattress must be at least 5" (127 mm) below the upper edge of guardrails.
- Do not allow children under 6 years of age to use the upper bunk.
- Periodically check and ensure that the guardrail, ladder, and other components are in their proper position, free from damage, and that all connectors are tight.
- Do not allow horseplay on or under the bed and prohibit jumping on the bed.
- Prohibit more than one person on upper bunk.
- Always use the ladder for entering and leaving the upper bunk.
- Do not use substitute parts. Contact the manufacturer or dealer for replacement parts.
- Use of a night light may provide added safety precaution for a child using the upper bunk.
- Always use guardrails on both long sides of the upper bunk. If the bunk bed will be placed next to the wall, the guardrail that runs the full length of the bed should be placed against the wall to prevent entrapment between the bed and wall.
- The use of water or sleep flotation mattresses is prohibited.
- STRANGULATION HAZARD- Never attach or hang items to any part of the bunk bed that are not designed for use with the bed; for example, but not limited to, hooks, belts and jump ropes.
- Keep these instructions for future reference.





- Este producto esta disenado para uso domestico y no para uso comercial.
- ADVERTENCIA PARA NINOS PEQUENOS: Este producto contiene componentes pequenos. Por favor asegures de que las piezas esten fuera del alcance de los ninos.
- No utilice herramientas electricas para ensamblar su mueble. Este tipo de herramienta puede rasgar o dañar las partes.

Precauciones

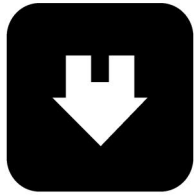
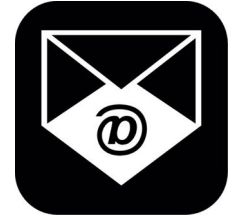
- Abra su producto en el área donde desea utilizarlo para que realice menos esfuerzo físico al levantarlo.
- Identifique y cuente todas las partes antes de comenzar el ensamble.
- Para limpiar su producto, utilice un paño ligeramente húmedo y luego limpie el exceso con un paño limpio y seco. No utilice productos químicos o abrasivos.
- Nunca empuje, jale o arrastre su producto.
- Lea cada paso cuidadosamente. Es muy importante que cada paso de las instrucciones sea realizado en el orden correcto. Si estos pasos no se siguen en secuencia, pueden ocurrir dificultades durante el ensamblado.

Tiempo estimado para el ensamble: 1.5 Hora(s)

Consejos útiles

¡Contactenos! CS@dhpurniture.com
 1 800-267-1739
 Visite: littleseedskids.com
 Consejos para el ensamble

Lunes - Viernes / 9 am - 9 pm (hora del este)
 Sábado / 10 am - 6:30 pm (hora del este)
 Domingo / 11 am - 7 pm (hora del este)



Contacte nuestro amigable equipo de servicio al cliente si necesita ayuda.

¡No regrese este producto a la tienda!



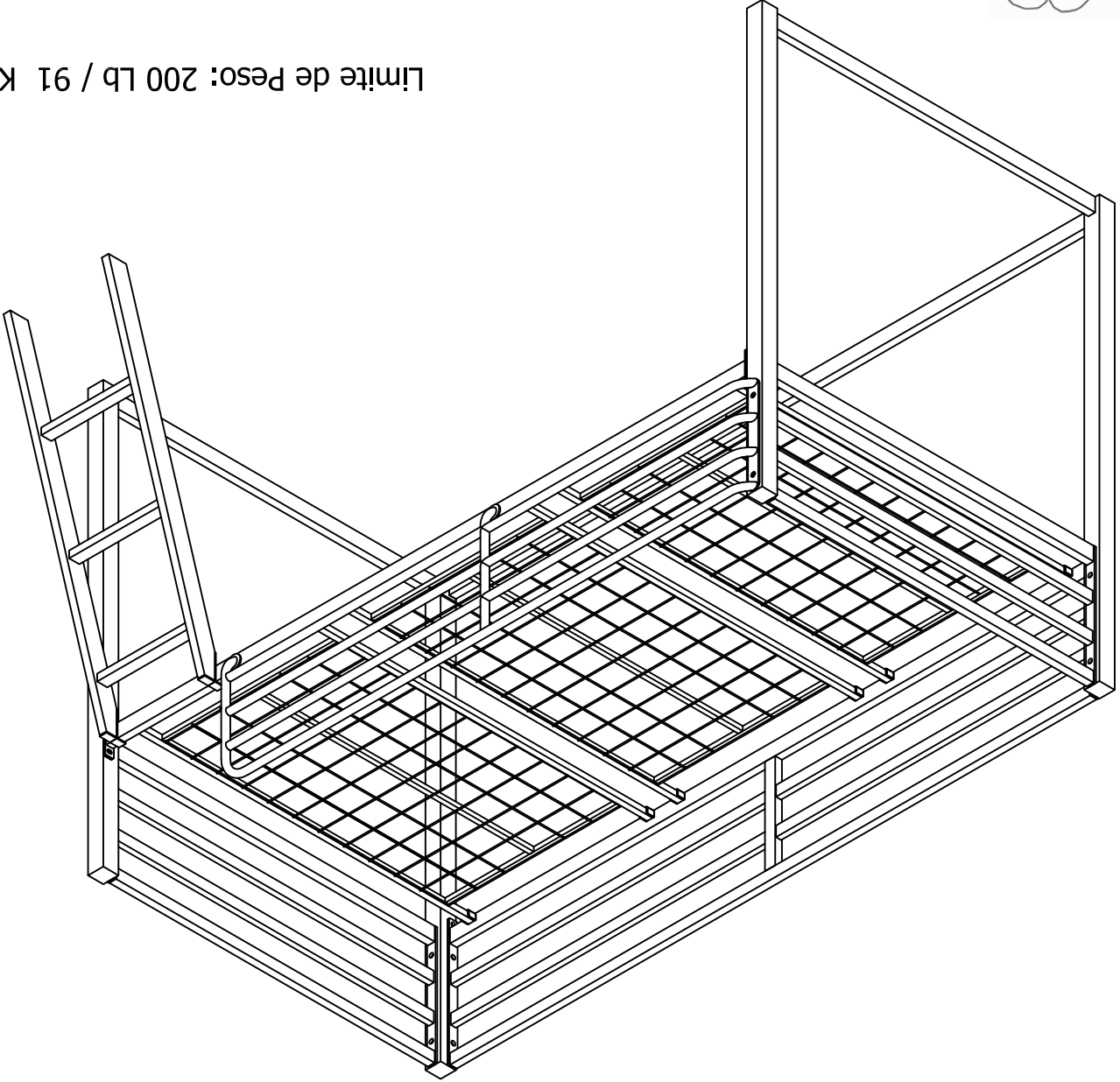


Little Seeds Haven Came elevada de metal - Individual, Navy/Oro

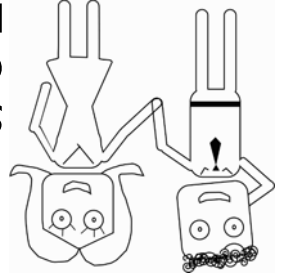
4555629LS

B344555629LS00

Guarde este Manual de Instrucciones para referencia futura.



Límite de Peso: 200 Lb / 91 Kg



Se recomienda
dos adultos
para el ensamble

Este producto no está destinado para uso comercial

Síguenos en:



NO regrese este producto a la tienda.
Para partes faltantes o rotas:
- Visite littleseedskids.com
- Escribanos: cs@dhpffurniture.com
- Llame al: 1 800-267-1739