



ACRYLIC FREESTANDING BATHTUB SERIES

OWNER'S MANUAL & INSTALLATION GUIDE



READ ENTIRE INSTALLATION GUIDE PRIOR TO INSTALLING THE BATHTUB

This bathtub should only be installed by a certified plumber
two people are required to lift the bathtub

For installation and assembly videos, please visit our website
www.streamlinebath.com

OR

our YouTube page by searching for
"Streamline Bath"

OR

following the below link to our channel:

<https://www.youtube.com/channel/UCII7TGMbkwoGSqzo-pGfaJw>



Drain D1040C-XX
Installation Video



Drain D1040F
Installation Video



Drain D1845-XX
Installation Video



Drain ND-045-XX
Installation Video



Drain N-PU-1606-XX
Installation Video

PRIOR TO INSTALLATION

These products must be installed by a fully insured and licensed plumber only.

Installation of any product by anyone other than fully insured and licensed plumber shall void limited warranty.

We are not responsible for any local code compliance for this product.

Building and plumbing codes may vary state-to-state.

Streamline shall not be held liable for any and all incidental damages or flood caused due to use of this product.

Streamline shall not be held liable for any and all fees stemming from cost of installation, re-installation, removal, subsequent damage, or transportation in a case of a product defect.

TOOLS REQUIRED



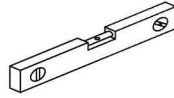
SILICONE



MEASURING
TAPE



PENCIL



LEVER BAR

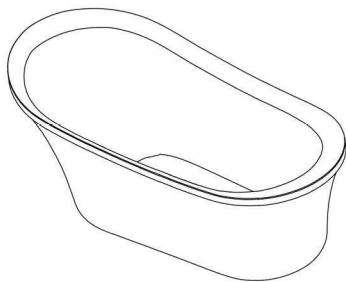


ADJUSTABLE
KEY



SAFETY
GLASSES

WHAT'S IN THE BOX



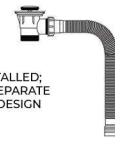
BATHTUB



D1040F-XX
OVERFLOW ASSEMBLY PRE-INSTALLED;
DRAIN & OVERFLOW COVER COME
INCLUDED IN A SEPARATE BOX



A1845-XX
OVERFLOW ASSEMBLY PRE-INSTALLED;
DRAIN COMES INCLUDED IN A SEPARATE
BOX; NO OVERFLOW COVER BY DESIGN



ND-025-XX
DRAIN COMES INCLUDED
IN A SEPARATE BOX; NO
OVERFLOW HOLE BY
DESIGN



D1040C-XX
DRAIN, OVERFLOW ASSEMBLY, AND
OVERFLOW COVER COME INCLUDED
IN A SEPARATE BOX



N-PU1606-XX
DRAIN COMES INCLUDED IN A
SEPARATE BOX; NO OVERFLOW
COVER BY DESIGN



FLEXIBLE HOSE
(INCLUDED WITH ALL
BATHTUB MODELS)

**XX REPRESENTS DIFFERENT COLORS OF THE ITEM

DRAIN MODEL COMPATIBILITY

FREESTANDING BATHTUB



**MODEL:
D1040F-XX**

 N-140-60FSWH-FM N-141-65FSWH-FM N-142-62FSWH-FM	 N-160-60FSWH-FM	 N-260-66FSWH-FM N-261-62X30FSWH-FM N-262-58FSWH-FM N-263-62X31FSWH-FM	 N-300-59FSWH-FM N-301-69FSWH-FM N-302-65FSWH-FM	 N-320-60FSWH-FM N-321-70FSWH-FM	 N-360-62FSWH-FM	 N-660-59FSWH-FM
 N-380-63FSWH-FM N-381-67FSWH-FM	 N-420-63FSWH-FM N-421-67FSWH-FM N-422-70FSWH-FM	 N-540-62FSWH-FM N-541-67FSWH-FM N-542-70FSWH-FM	 N-560-59FSWH-FM N-561-67FSWH-FM N-562-71FSWH-FM	 N-580-62FSWH-FM N-581-66FSWH-FM	 N-620-63FSWH-FM N-621-59FSWH-FM N-622-67FSWH-FM	 N-880-59FSWH-FM N-881-63FSPRWH-FM N-882-67SBL-FM
 N-680-59FSWH-FM N-681-67FSWH-FM N-682-63FSWH-FM	 N-700-59FSWH-FM N-701-67FSWH-FM	 N-760-63FSWH-FM	 N-780-59FSWH-FM N-781-67FSWH-FM	 N-800-67FSWH-FM N-801-59SBL-FM N-802-67SBL-FM N-803-59FSWH-FM	 N-640-59FSWH-FM	 N-1240-67FSWH-FM N-1241-59FSWH-FM
 N-940-75FSWH-FM	 N-980-67FSWH-FM	 N-1000-71FSWH-FM	 N-1040-59FSWH-FM N-1041-67FSWH-FM	 N-1200-67FSWH-FM N-1201-59FSWH-FM	 N-840-59FSWH-FM N-841-67FSWH-FM	 N-1400-67FSWH-FM
 N-1260-67FSWH-FM N-1261-59FSWH-FM	 N-1280-67FSWH-FM	 N-1300-67FSWH-FM N-1301-59FSWH-FM	 N-1320-67FSWH-FM N-1321-59FSWH-FM	 N-1340-67FSWH-FM	 N-1220-67FSWH-FM N-1221-59FSWH-FM	 N-662-59FSBLU-FM N-663-67FSBL-FM N-664-59PRWH-FM
 N-1440-67FSWH-FM	 N-1460-67FSWH-FM	 N-1480-59FSWH-FM	 N-1500-63FSWH-FM N-1500-67FSWH-FM	 N-1540-67FSWH-FM	 N-1360-67FSWH-FM	 N-1681-59FSWH-FM N-1682-59FSBL-FM
 N-1782-67FSWH-FM	 N-240-60FSWH-FM	 N-3300-59FSWH-FM N-3301-67FSWH-FM	 N-3320-59FSWH-FM N-3321-63FSWH-FM N-3322-67FSWH-FM N-3323-71FSWH-FM	 N-3380-59FSWH-FM N-3381-63FSWH-FM	 N-3400-63FSWH-FM N-3401-67FSWH-FM	 N-3420-59FSWH-FM N-3421-63FSWH-FM
 N-3440-58FSWH-FM N-3441-62FSWH-FM	 N-3460-62FSWH-FM	 N-3480-62FSWH-FM	 N-3500-59FSWH-FM N-3501-63FSWH-FM	 N-3520-62FSWH-FM N-3521-65FSWH-FM	 N-3540-59FSWH-FM N-3541-62FSWH-FM	 N-3600-63FSWH-FM N-3601-67FSWH-FM
 N-3620-53FSWH-FM N-3621-60FSWH-FM N-3622-58FSWH-FM N-3623-65FSWH-FM						



**MODEL:
D1040C-XX**

 N-720-60FSWH-FM N-721-67FSWH-FM	 N-740-67FSWH-FM N-741-63FSWH-FM	 N-280-59FSWH-FM N-281-67FSWH-FM N-282-63FSWH-FM	 N-1160-59FSWH-FM N-1161-59FSWH-FM	 N-1420-67FSWH-FM	 N-1520-61FSWH-FM N-1521-65FSWH-FM N-1522-69FSWH-FM	 N-1060-59FSWH-FM N-1061-67FSWH-FM
 N-1800-67FSWH-FM	 N-2040-51FSWH-FM	 N-2060-59FSWH-FM	 N-2120-59FSWH-FM	 N-3340-59FSWH-FM N-3341-63FSWH-FM	 N-3560-61FSWH-FM N-3561-65FSWH-FM	

For a full drain and model compatibility list, please visit our website, www.streamlinebath.com, and search for the model that you are interested in in the upper right-hand corner of the website.

DRAIN MODEL COMPATIBILITY

FREESTANDING BATHTUB



**MODEL:
D1845-XX**

(MODEL DOES NOT
COME WITH AN OVERFLOW
COVER BY DESIGN)



**MODEL:
ND-025-XX**



**MODEL:
N-PUI606-XX**

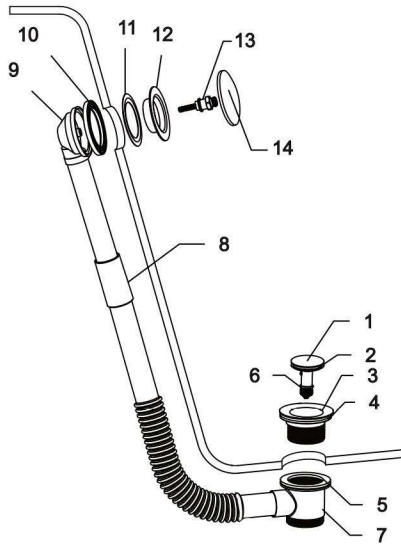
(MODEL DOES NOT
COME WITH AN OVERFLOW
COVER BY DESIGN)



For a full drain and model compatibility list, please visit our website, www.streamlinebath.com, and search for the model that you are interested in in the upper right-hand corner of the website.

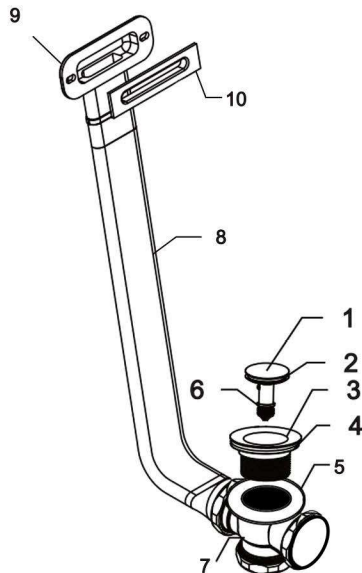
DRAIN DIAGRAMS

MODEL: D1040C-XX



NO.	ITEM	QTY.
1	Pop-Up Cover	1
2	O Ring	1
3	Strainer	1
4	Upper Rubber Gasket	1
5	Lower Rubber Gasket	1
6	Catridge	1
7	Drain Tee	1
8	Coupling Pipe	1
9	Overflow Body	1
10	Backside Gasket	1
11	Frontside Gasket	1
12	Strainer	1
13	Pin Bolt	1
14	Overflow Plate	1

MODEL: D1040F-XX



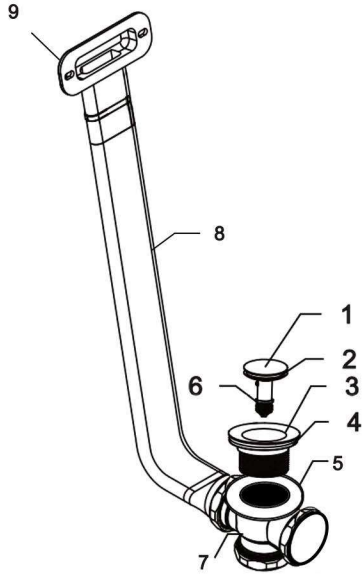
NO.	ITEM	QTY.
1	Pop-Up Cover	1
2	O Ring	1
3	Strainer	1
4	Upper Rubber Gasket	1
5	Lower Rubber Gasket	1
6	Catridge	1
7	Drain Tee	1
8	Coupling Pipe	1
9	Overflow Body	1
10	Overflow Plate	1

**XX REPRESENTS DIFFERENT COLORS OF THE ITEM

DRAIN DIAGRAMS

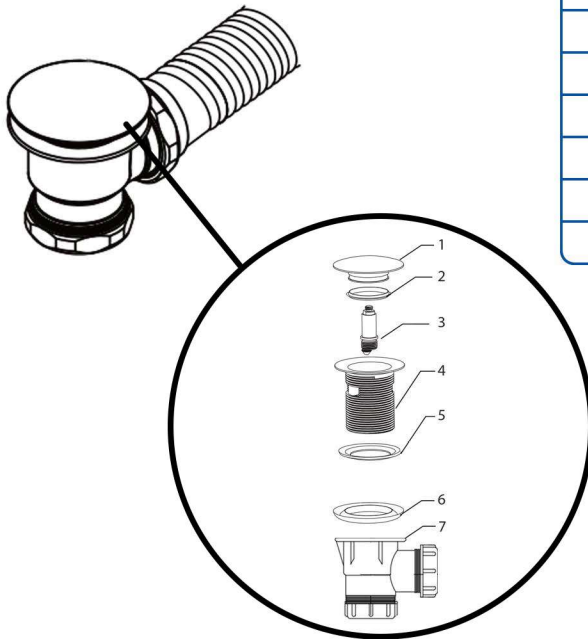
MODEL: D1845-XX

(MODEL DOES NOT COME WITH AN OVERFLOW COVER BY DESIGN)



NO.	ITEM	QTY.
1	Pop-Up Cover	1
2	O Ring	1
3	Strainer	1
4	Upper Rubber Gasket	1
5	Lower Rubber Gasket	1
6	Cartridge	1
7	Drain Tee	1
8	Coupling Pipe	1
9	Overflow Body	1

MODEL: ND-025-XX



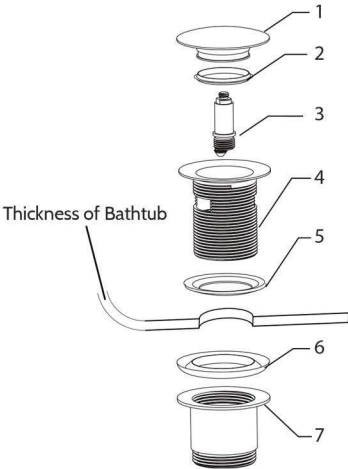
NO.	ITEM	QTY.
1	Pop-Up Cover	1
2	O Ring	1
3	Cartridge	1
4	Strainer	1
5	Upper Gasket	1
6	Lower Gasket	1
7	Drain Tee	1

**XX REPRESENTS DIFFERENT COLORS OF THE ITEM

DRAIN DIAGRAMS

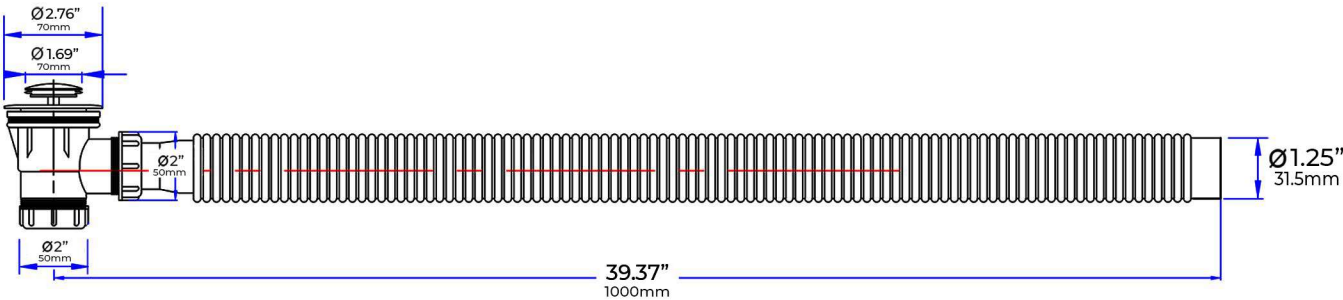
MODEL: N-PU1606-XX

(MODEL DOES NOT COME WITH AN OVERFLOW COVER BY DESIGN)



NO.	ITEM	QTY.
1	Pop-Up Cover	1
2	O Ring	1
3	Cartridge	1
4	Strainer	1
5	Upper Gasket	1
6	Lower Gasket	1
7	Drain Tee	1

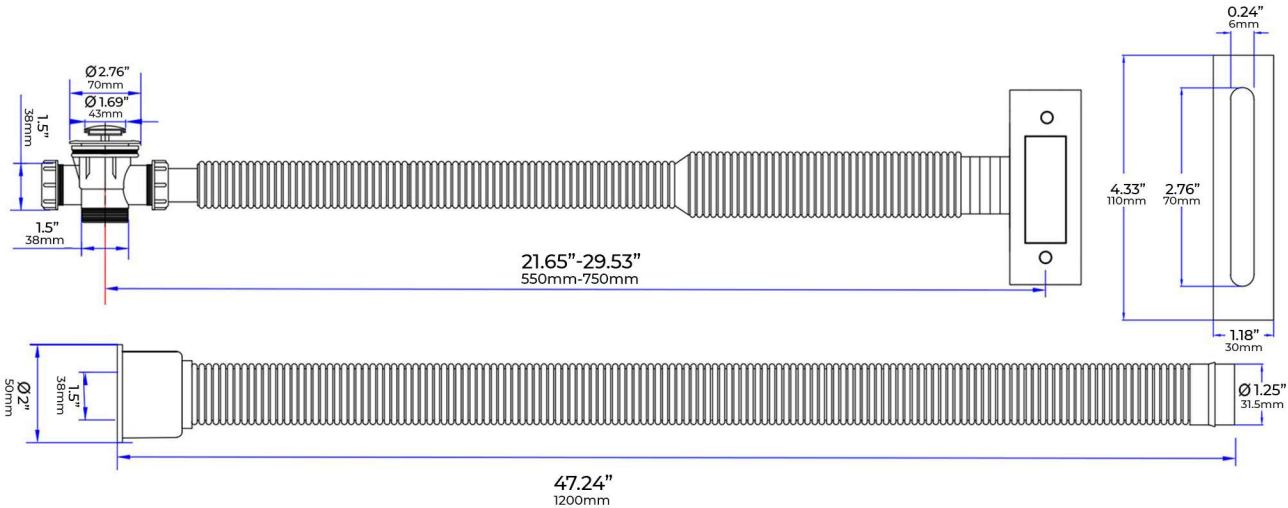
ND-025-XX



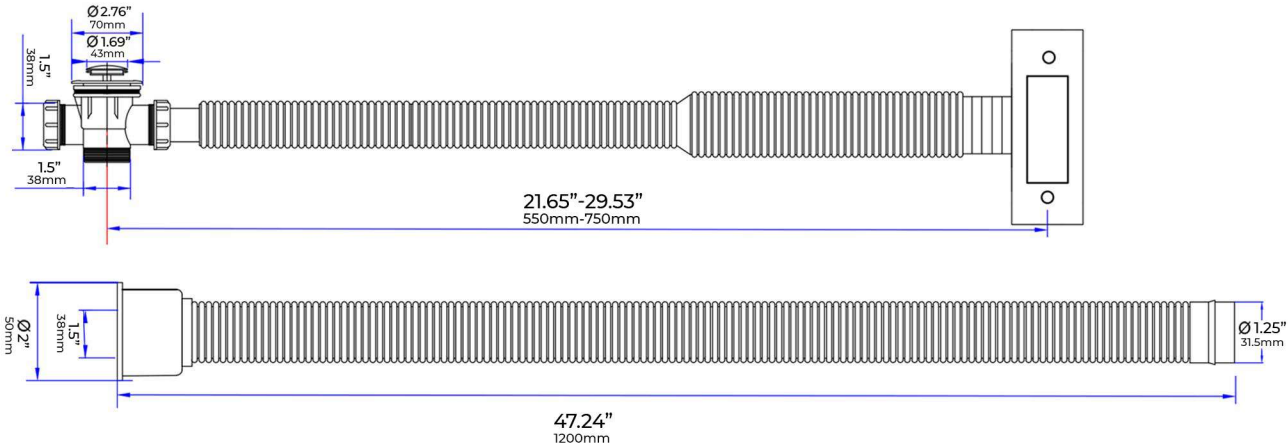
**XX REPRESENTS DIFFERENT COLORS OF THE ITEM

DRAIN DIAGRAMS

D1040F-XX



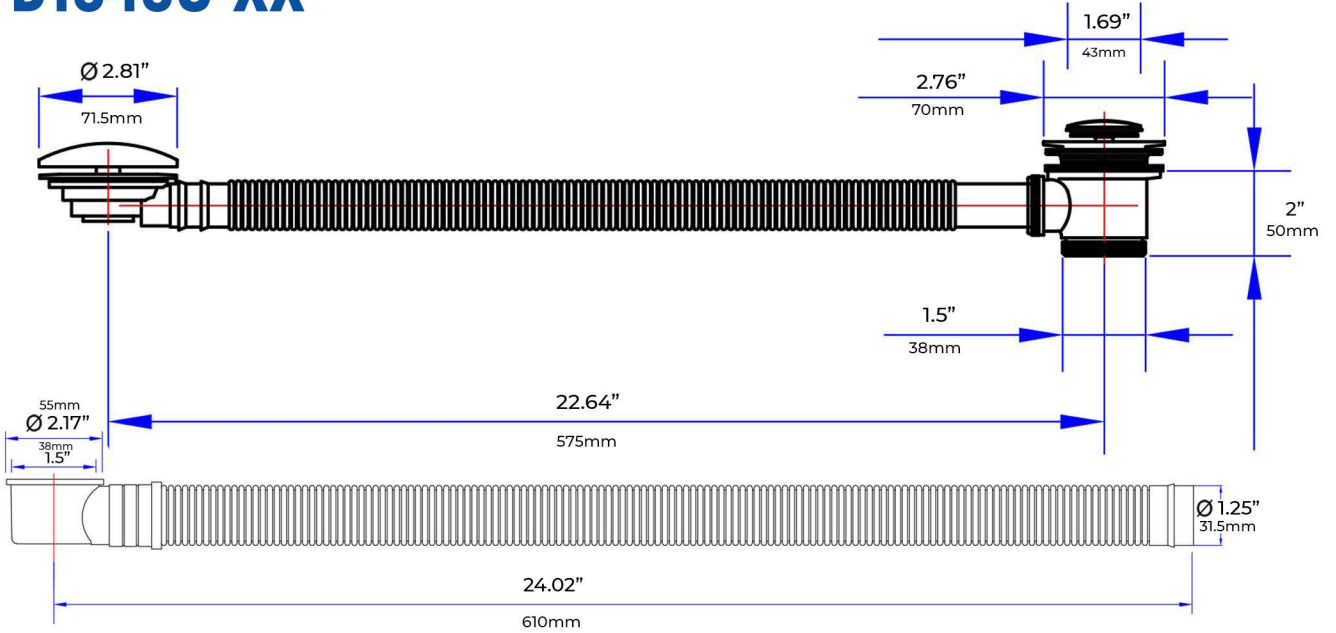
D1845-XX



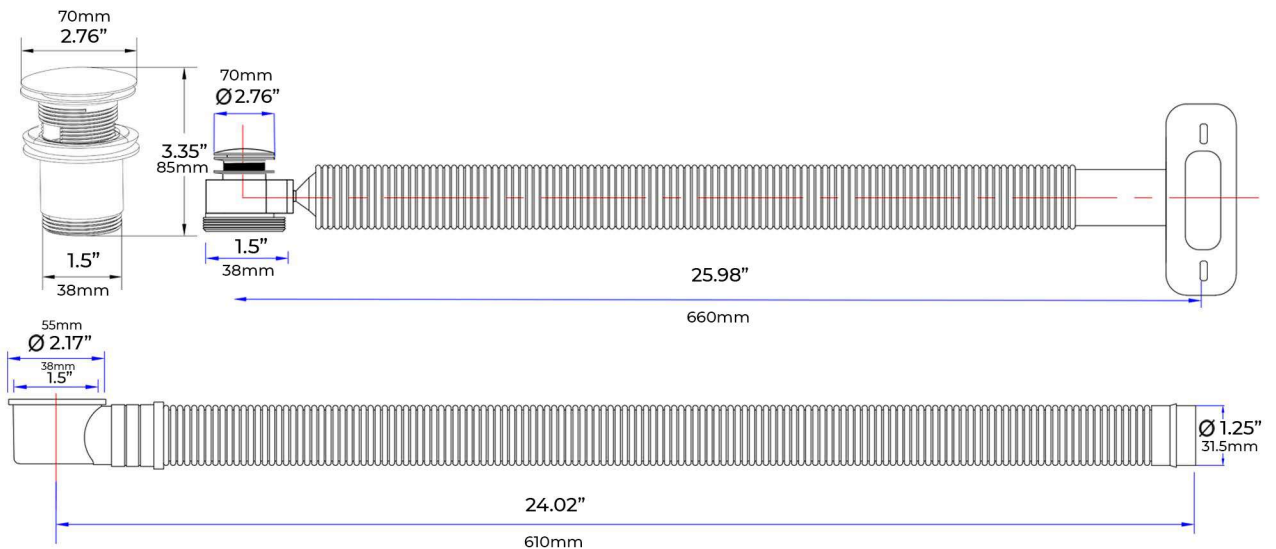
**XX REPRESENTS DIFFERENT COLORS OF THE ITEM

DRAIN DIAGRAMS

D1040C-XX



N-PU1606-XX



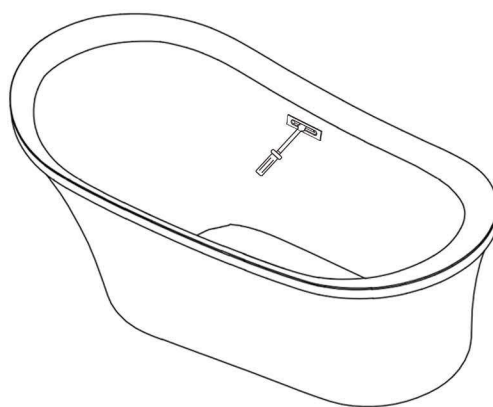
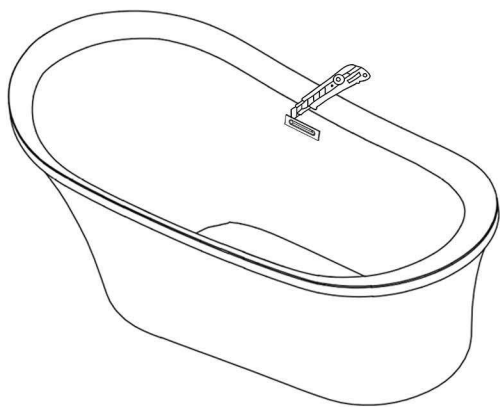
**XX REPRESENTS DIFFERENT COLORS OF THE ITEM

DRAIN D1040F-XX

HOW TO REMOVE THE OVERFLOW COVER:

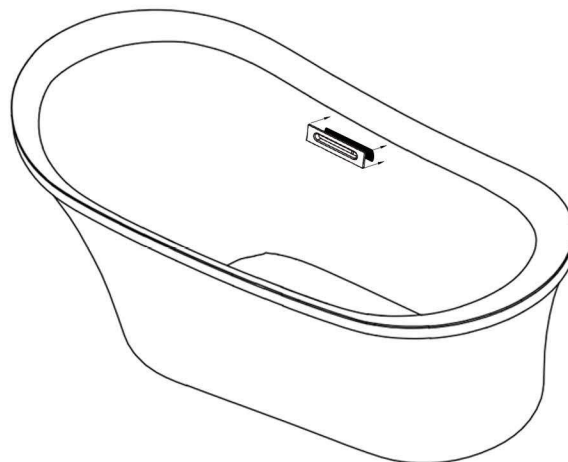
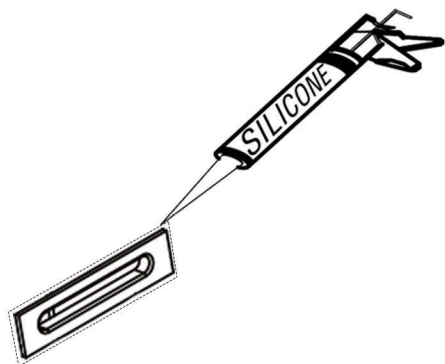
If the chrome overflow cover is already pre-installed on your model, there are two simple ways to remove the cover.

1. Take a blade knife and carefully cut around the overflow. This will cut through the adhesive and allow the overflow cover to be removed.
2. Take a screwdriver and insert it into the overflow hole, applying pressure to pop out the overflow cover.



HOW TO INSTALL THE OVERFLOW COVER:

1. Put a bead of neutral cure silicone on the back of the overflow cover. Align with the overflow hole on the bathtub and stick on the bathtub. Press firmly. Wipe away any excess adhesive. Let it sit for at least 24 hours.

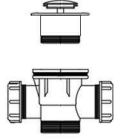


**XX REPRESENTS DIFFERENT COLORS OF THE ITEM

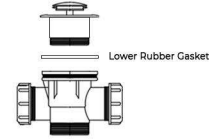
DRAIN D1040F-XX

HOW TO INSTALL THE DRAIN:

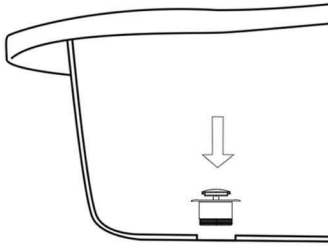
1. Unscrew the strainer from the drain tee that came in a separate box with your purchase.



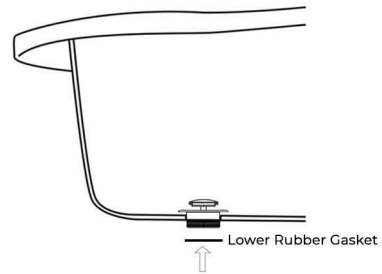
2. Take off the larger, lower rubber gasket. DO NOT TAKE OFF THE SMALLER, UPPER GASKET.



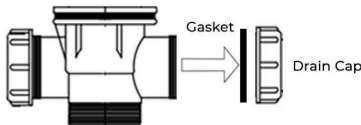
3. Place the strainer through the hole in the bathtub.



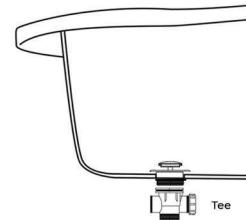
4. Take the lower gasket that was previously removed and re-attach it to the strainer from underneath the bathtub.



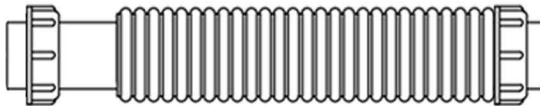
5. Take the drain tee and unscrew the right-handed side cap to connect to the overflow. There will be one gasket that you will remove to use to attach to the overflow drain. Set it aside for now.



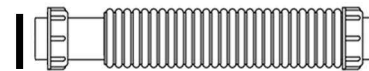
6. Take the drain tee and attach it to the strainer from underneath the bathtub. Tighten as much as possible.



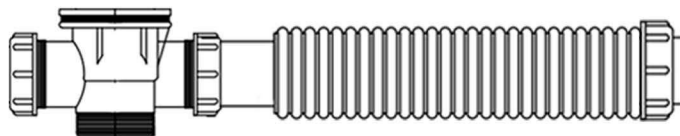
7. Run the cap through the overflow hose and let it sit.



8. Take the rubber gasket that you had previously set aside and run it through up to the first ring on the overflow drain. Make sure that the gasket is put on inwards like so:



9. Attach the hose to the drain tee that was connected to the strainer in step 6. Tighten firmly. Check for any leakage prior to finalizing installation as there may be tightening that is required or re-attaching the gasket correctly. This is a critical step that cannot be skipped.

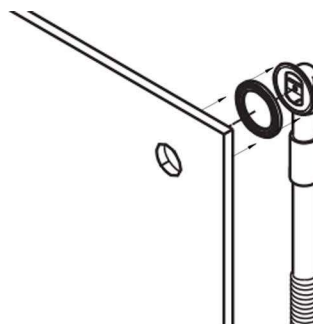
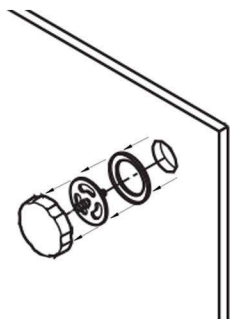


**XX REPRESENTS DIFFERENT COLORS OF THE ITEM

DRAIN D1040C-XX

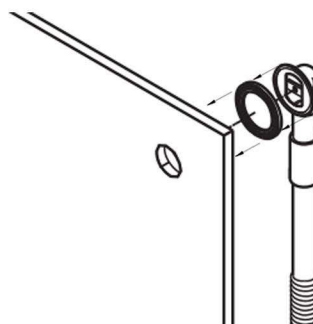
HOW TO REMOVE THE OVERFLOW COVER:

1. Unscrew the round overflow cover. There will be a pin bolt that is visible. Unscrew the pin bolt and remove along with the overflow plate.
2. Please remove the large rubber gasket as well as the overflow drain from the back of the bathtub.

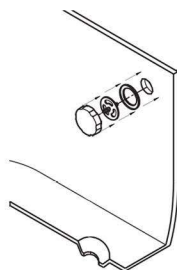


HOW TO INSTALL THE OVERFLOW COVER:

1. Unscrew the overflow cover, overflow plate, and pin bolt from the drain color of your choice.
2. Take the overflow hose with the rubber gasket and attach it from the backside of the bathtub.



3. Take the overflow plate and place it over the overflow hole. Take the pin bolt and screw it inside to secure it. Take the round overflow cover and screw it onto the pin bolt.

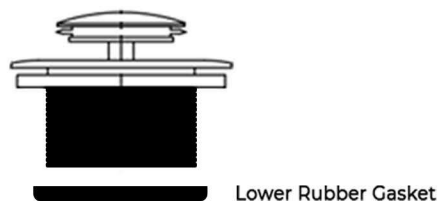


**XX REPRESENTS DIFFERENT COLORS OF THE ITEM

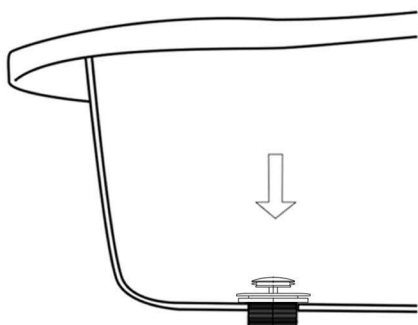
DRAIN D1040C-XX

HOW TO INSTALL THE DRAIN:

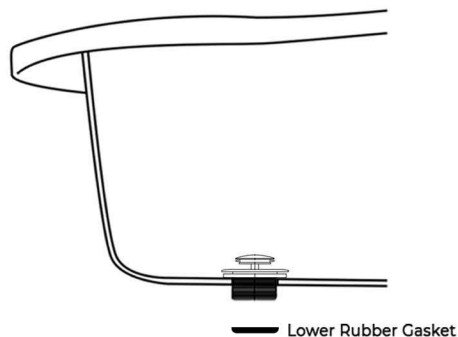
1. Unscrew the strainer from the drain tee that came in a separate box with your purchase.
2. Take off the larger, lower rubber gasket. DO NOT TAKE OFF THE SMALLER, UPPER GASKET.



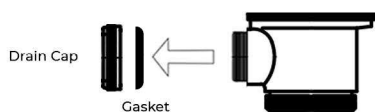
3. Place the strainer through the hole in the interior of the bathtub.



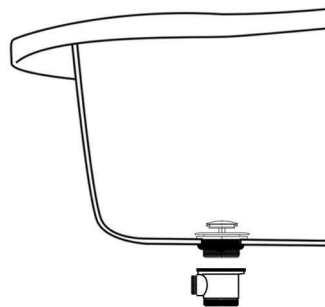
4. Take the lower gasket that was previously removed and re-attach it to the strainer from underneath the bathtub.



5. Take the tee and unscrew the right-handed side cap to connect to the overflow. There will be one gasket that you will remove to use to attach to the overflow drain. Set it aside for now.



6. Take the tee and attach it to the strainer from underneath the bathtub. Tighten as much as possible.



**XX REPRESENTS DIFFERENT COLORS OF THE ITEM

DRAIN D1040C-XX

HOW TO INSTALL THE DRAIN:

7. Take the cap that you unscrewed and run it through the overflow hose.



8. Take the rubber gasket that you had previously set aside and run it through to the tip of the overflow hose on the overflow drain. The gasket should be placed on the immediate interior of the overflow hose to ensure that a watertight connection exists. Make sure that the gasket is put on inwards like so:



9. Attach the hose to the drain tee that was connected to the strainer in step 6. Tighten firmly. Check for any leakage prior to finalizing installation as there may be tightening that is required or the gasket was not attached correctly. This is a very critical step that cannot be skipped.



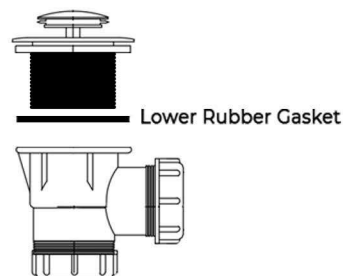
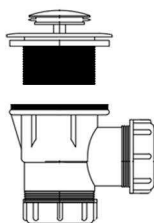
**XX REPRESENTS DIFFERENT COLORS OF THE ITEM

DRAIN ND-025-XX:

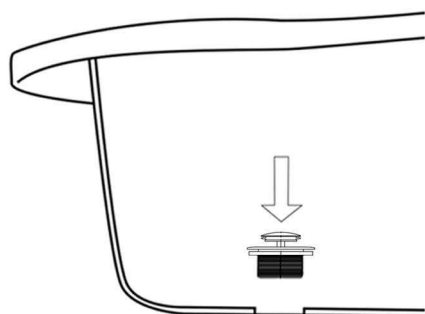
HOW TO INSTALL THE DRAIN:

Please note that bathtub models that utilize this drain come WITHOUT an overflow. This is done so by design. NO overflow can be installed on bathtubs that utilize this drain model.

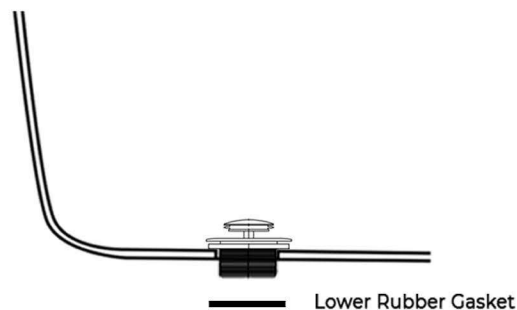
1. Unscrew the strainer from the drain tee that came in a separate box with your purchase.
2. Take off the larger, lower rubber gasket. DO NOT TAKE OFF THE SMALLER, UPPER GASKET



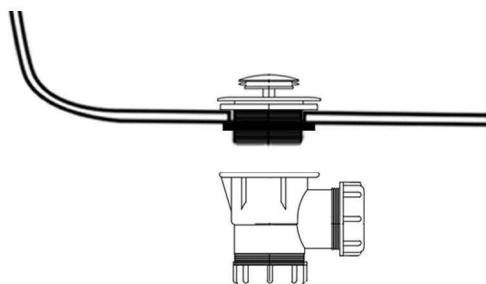
3. Place the strainer through the hole in the interior of the bathtub.



4. Take the lower gasket that was previously removed and re-attach it to the strainer from underneath the bathtub.



5. Take the drain tee and attach it to the strainer from underneath the bathtub. Tighten as much as possible.

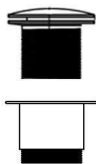


**XX REPRESENTS DIFFERENT COLORS OF THE ITEM

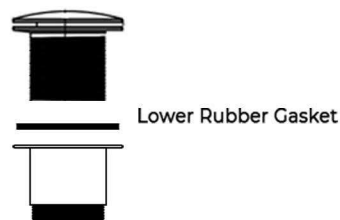
DRAIN N-PU1606-XX

HOW TO INSTALL THE DRAIN:

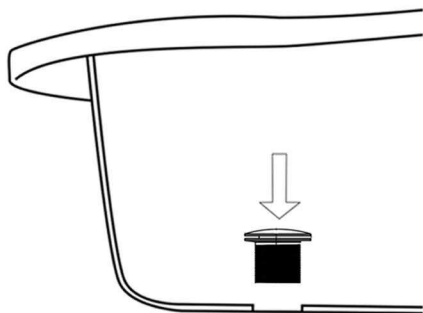
1. Unscrew the strainer from the drain tee that came in a separate box with your purchase



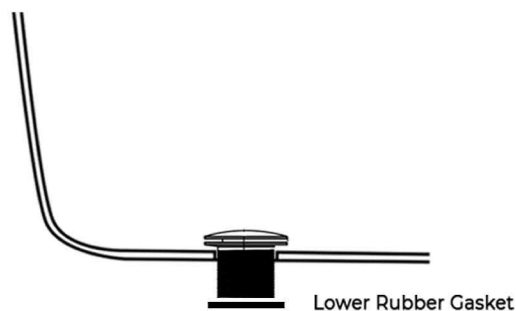
2. Take off the larger, lower rubber gasket. DO NOT TAKE OFF THE SMALLER, UPPER GASKET



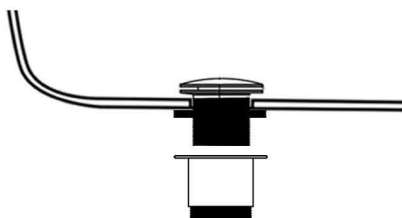
3. Place the strainer through the hole in the interior of the bathtub.



4. Take the lower gasket that was previously removed and re-attach it to the strainer from underneath the bathtub.



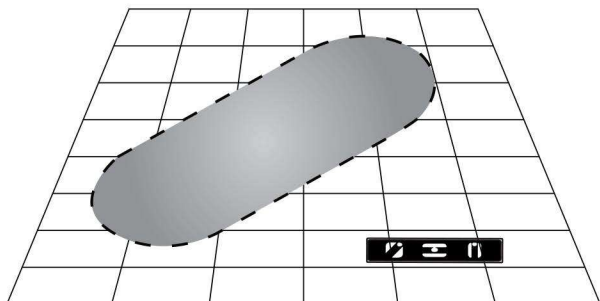
5. Take the drain tee and attach it to the strainer from underneath the bathtub. Tighten as much as possible.



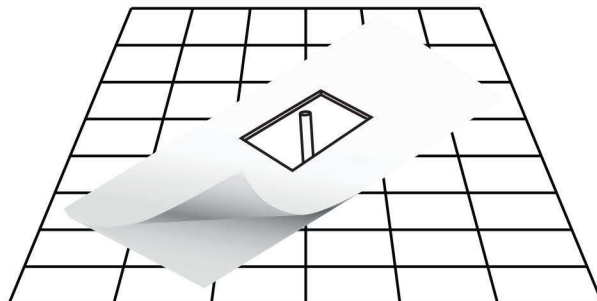
**XX REPRESENTS DIFFERENT COLORS OF THE ITEM

BATHTUB INSTALLATION

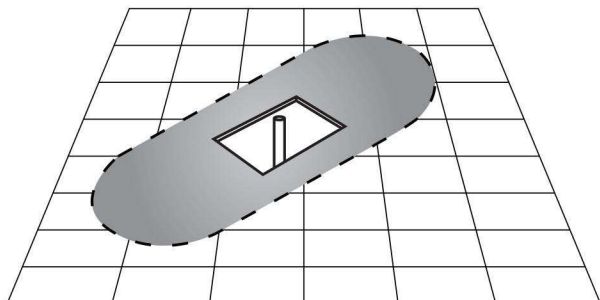
1. Ensure that the floor at the installation site has sufficient floor support and is level.



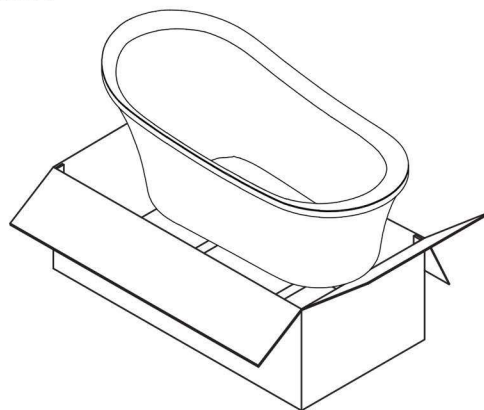
2. Waterproofing the floor is highly recommended.



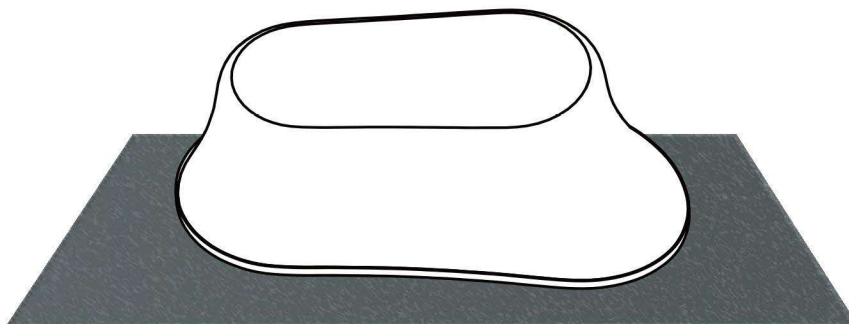
3. Determine the location of the drainpipe on the floor by taking measurements of the drain and waste location underneath the unit. Clean the drain hole area in preparation of setting the drain. The area should be dry & free from any debris.



4. Remove the bathtub from its box. It is recommended that the bathtub is carried by a minimum of two people. Ensure to carry and set down the bathtub only in the upside-down position.

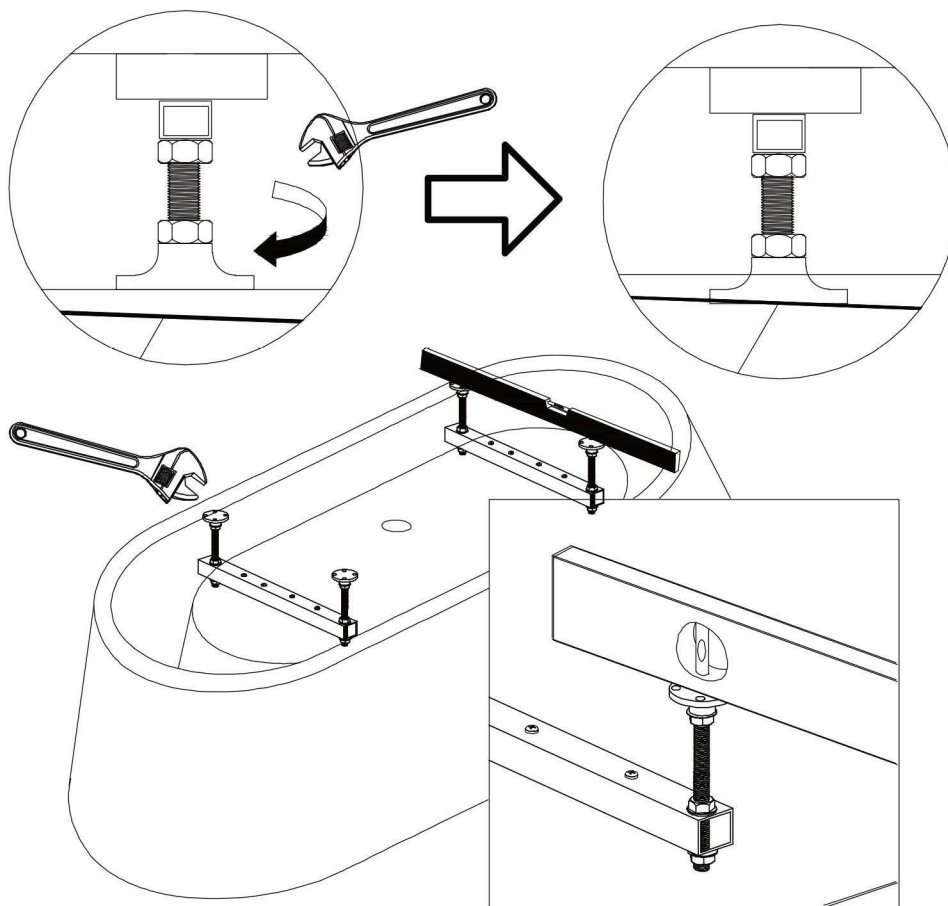


5. Gently place the bathtub in the upside-down position on a tarp or cardboard sheet in order to avoid contact with any rough surface

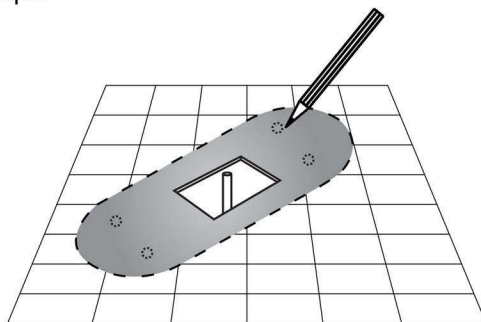


BATHTUB INSTALLATION

6. Loosen the nuts & washers from the metal frame. Adjust the leveling feet to align with the bathtub's bottom as well as the floor and then tighten the washer and nuts. When leveling the bathtub, please make sure that the bathtub is sitting on the floor on the base of the bathtub, and NOT on all 4 leveling feet. Each individual leveling foot is to be used on a case-by-case basis to help even out and level the bathtub should the floor be uneven. All 4 leveling feet may or may not be required to be used.

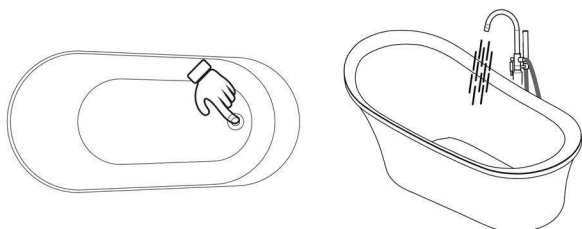


7. Ensure to mark all positions of leveling legs on the floor using a pencil. Move the bathtub into the desired location near the drainpipe.

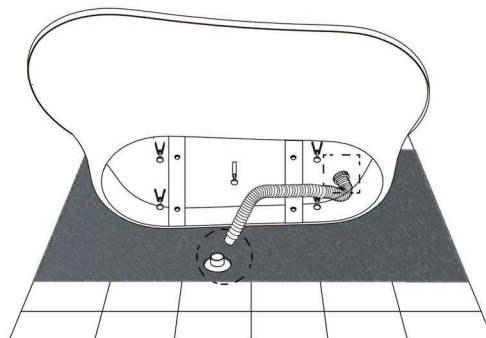


BATHTUB INSTALLATION

- 8.** Before proceeding with installation, push the pop up into a close position and fill the bathtub above the overflow [Note: some models may not have an overflow] to test for overflow and drain leakage.

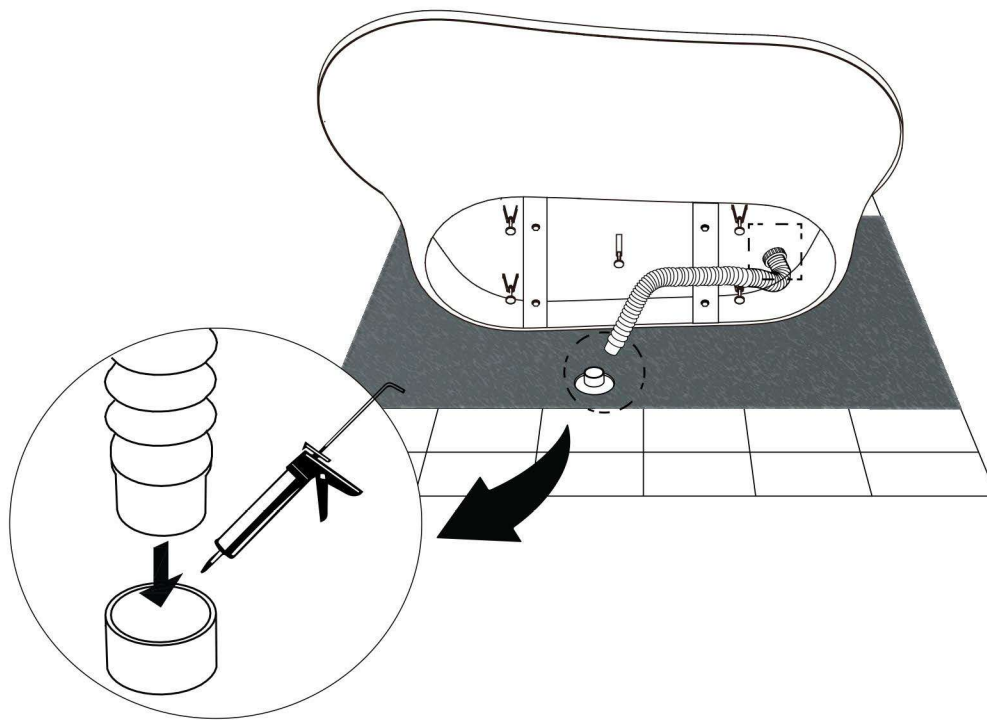


- 9.** Proceed to place the provided flexible drain hose into the floor drain.



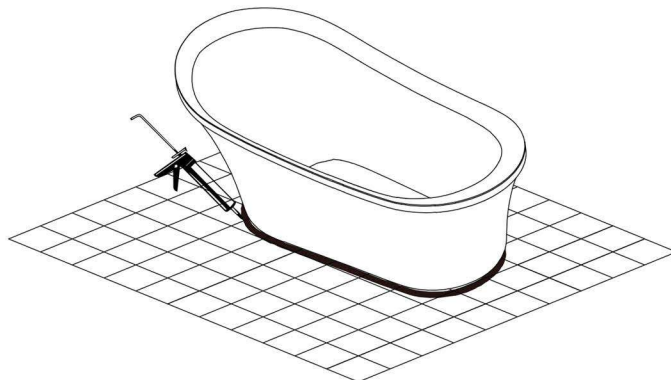
- 10.** Please note, the flexible hose is a basic way that we provide to connect to the end plumbing in a home. The plumbing installation in every home differs, so please consult with a certified plumber to see if the plumbing in your home is compatible with using a basic flexible hose.

- 11.** Seal the connection by using a PVC pipe sealant to join the parts together.

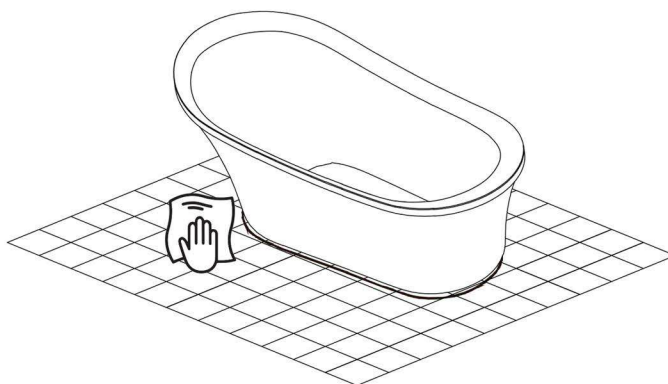


BATHTUB INSTALLATION

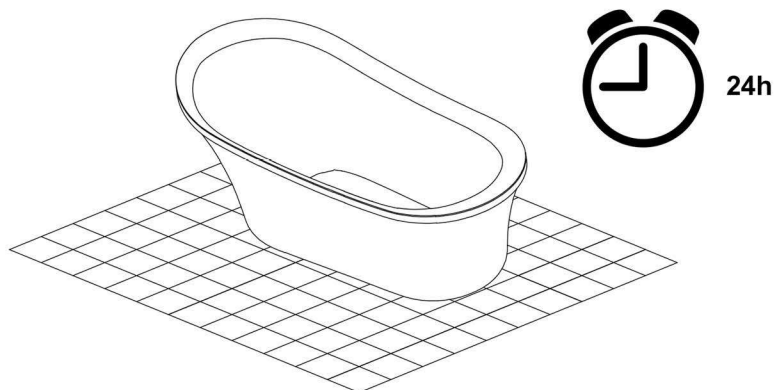
12. Apply silicone along the bottom of the bathtub in order to create an airtight seal. Then apply a bead of tub & tile caulk around the edges of the base.



13. With the bathtub now in place, wipe off any excess silicone, tub & tile caulk where the bathtub meets the floor.



14. Allow for up to 24 hours for the adhesive material to set.





GAMME DE BAIGNOIRES DE PLEIN PIED EN ACRYLIQUE

GUIDE D'INSTALLATION ET D'UTILISATION



LIRE CE GUIDE EN ENTIER AVANT D'INSTALLER LA BAIGNOIRE

**CETTE BAIGNOIRE NE DEVRAIT ÊTRE INSTALLÉE
QUE PAR UN PLOMBIER PROFESSIONNEL**

Pour des vidéos d'installation, veuillez visiter notre site web
www.streamlinebath.com

OU

Notre page Youtube en cherchant
« **Streamline Bath** »

OU

En suivant ce lien



Drain D1040C-XX
Vidéo D'installation



Drain D1040F
Vidéo D'installation



Drain D1845-XX
Vidéo D'installation



Drain ND-045-XX
Vidéo D'installation



Drain N-PU-1606-XX
Vidéo D'installation

AVANT L'INSTALLATION

Ces produits ne doivent être installés que par un plombier en règle et assuré.

L'installation de ces produits par un non-professionnel rendra immédiatement la garantie nulle.

Nous ne sommes pas responsables des législations locales auxquelles ce produit devrait se plier. Les réglementations de plomberie et construction peuvent varier d'État à État. Streamline n'est pas responsable des dégâts accidentels ou dégâts des eaux causés à ce produit.

Streamline n'est pas responsable des frais supplémentaires d'installation, réinstallation, extraction, réparation ou transport en cas d'un défaut de produit.

OUTILS NÉCESSAIRES



SILICONE



RUBAN
MESUREUR



CRAYON À
PAPIER



NIVEAU À
BULLE

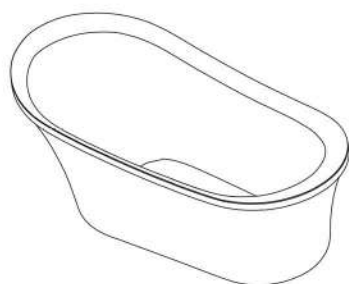


CLÉ À
MOLETTE



LUNETTES DE
SÉCURITÉ

DANS LA BOITE



BAIGNOIRE



D1040F-XX
SYSTÈME ANTI-DÉBORDEMENT
PRÉ-INSTALLÉ; DRAIN ET BOUCHONS
INCLUS DANS UNE BOITE SÉPARÉE.



D1040C-XX
DRAIN, SYSTÈME ANTI-DÉBORDEMENT
ET BOUCHON INCLUS DANS UNE
BOITE SÉPARÉE.



A1845-XX
SYSTÈME ANTI-DÉBORDEMENT
PRÉ-INSTALLÉ; DRAIN INCLUS DANS
UNE BOITE SÉPARÉE; PAS DE
BOUCHON POUR CE MODÈLE.



N-PU1606-XX
DRAIN INCLUS DANS UNE BOITE
SÉPARÉE; PAS DE BOUCHON
DANS CE MODÈLE.



ND-025-XX
DRAIN INCLUS DANS
UNE BOITE SÉPARÉE;
CE MODÈLE N'A PAS
D'ANTI-DÉBORDEMENT



TUYAU FLEXIBLE
(INCLUS AVEC TOUS LES
MODÈLES)

**XX REPRÉSENTE LES DIFFÉRENTES COULEURS DES OBJETS

COMPATIBILITÉ DES MODÈLES DE DRAINS

BAIGNOIRES AUTONOMES



MODÈLE:
D1040F-XX

N-140-60FSWH-FM N-141-65FSWH-FM N-142-62FSWH-FM	N-160-60FSWH-FM	N-260-66FSWH-FM N-261-62X30FSWH-FM N-262-58FSWH-FM N-263-62X31FSWH-FM	N-300-59FSWH-FM N-301-69FSWH-FM N-302-65FSWH-FM	N-320-60FSWH-FM N-321-70FSWH-FM	N-360-62FSWH-FM	N-660-59FSWH-FM
N-380-63FSWH-FM N-381-67FSWH-FM	N-420-63FSWH-FM N-421-67FSWH-FM N-422-70FSWH-FM	N-540-62FSWH-FM N-541-67FSWH-FM N-542-70FSWH-FM	N-560-59FSWH-FM N-561-67FSWH-FM N-562-71FSWH-FM	N-580-62FSWH-FM N-581-66FSWH-FM	N-620-63FSWH-FM N-621-59FSWH-FM N-622-67FSWH-FM	N-880-59FSWH-FM N-881-63FSPRWH-FM N-882-67SBL-FM
N-680-59FSWH-FM N-681-67FSWH-FM N-682-63FSWH-FM	N-700-59FSWH-FM N-701-67FSWH-FM	N-760-63FSWH-FM	N-780-59FSWH-FM N-781-67FSWH-FM	N-800-67FSWH-FM N-801-59SBL-FM N-802-67SBL-FM N-803-59FSWH-FM	N-640-59FSWH-FM	N-1240-67FSWH-FM N-1241-59FSWH-FM
N-940-75FSWH-FM	N-980-67FSWH-FM	N-1000-71FSWH-FM	N-1040-59FSWH-FM N-1041-67FSWH-FM	N-1200-67FSWH-FM N-1201-59FSWH-FM	N-840-59FSWH-FM N-841-67FSWH-FM	N-1400-67FSWH-FM
N-1260-67FSWH-FM N-1261-59FSWH-FM	N-1280-67FSWH-FM	N-1300-67FSWH-FM N-1301-59FSWH-FM	N-1320-67FSWH-FM N-1321-59FSWH-FM	N-1340-67FSWH-FM	N-1220-67FSWH-FM N-1221-59FSWH-FM	N-662-59FSBLU-FM N-663-67FSBL-FM N-664-59PRWH-FM
N-1440-67FSWH-FM	N-1460-67FSWH-FM	N-1480-59FSWH-FM	N-1500-63FSWH-FM N-1500-67FSWH-FM	N-1540-67FSWH-FM	N-1360-67FSWH-FM	N-1681-59FSWH-FM N-1682-59FSBL-FM
N-1782-67FSWH-FM	N-240-60FSWH-FM	N-3300-59FSWH-FM N-3301-67FSWH-FM	N-3320-59FSWH-FM N-3321-63FSWH-FM N-3322-67FSWH-FM N-3323-71FSWH-FM	N-3380-59FSWH-FM N-3381-63FSWH-FM	N-3400-63FSWH-FM N-3401-67FSWH-FM	N-3420-59FSWH-FM N-3421-63FSWH-FM
N-3440-58FSWH-FM N-3441-62FSWH-FM	N-3460-62FSWH-FM	N-3480-62FSWH-FM	N-3500-59FSWH-FM N-3501-63FSWH-FM	N-3520-62FSWH-FM N-3521-65FSWH-FM	N-3540-59FSWH-FM N-3541-62FSWH-FM	N-3600-63FSWH-FM N-3601-67FSWH-FM
N-3620-53FSWH-FM N-3621-60FSWH-FM N-3622-58FSWH-FM N-3623-65FSWH-FM						

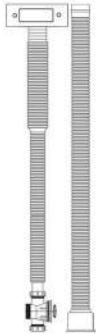


MODÈLE:
D1040C-XX

N-720-60FSWH-FM N-721-67FSWH-FM	N-740-67FSWH-FM N-741-63FSWH-FM	N-280-59FSWH-FM N-281-67FSWH-FM N-282-63FSWH-FM	N-1160-59FSWH-FM N-1161-59FSWH-FM	N-1420-67FSWH-FM	N-1520-61FSWH-FM N-1521-65FSWH-FM N-1522-69FSWH-FM	N-1060-59FSWH-FM N-1061-67FSWH-FM
N-1800-67FSWH-FM	N-2040-51FSWH-FM	N-2060-59FSWH-FM	N-2120-59FSWH-FM	N-3340-59FSWH-FM N-3341-63FSWH-FM	N-3560-61FSWH-FM N-3561-65FSWH-FM	

COMPATIBILITÉ DES MODÈLES DE DRAINS

BAIGNOIRES AUTONOMES



MODÈLE:
D1845-XX



N-2200-59FSWH-FM
N-2220-67FSWH-FM



N-2240-59FSWH-FM
N-2260-67FSWH-FM



N-2280-59FSWH-FM
N-2300-67FSWH-FM



N-2320-59FSWH-FM
N-2340-63FSWH-FM
N-2360-67FSWH-FM



N-2380-55FSWHL-FM
N-2400-55FSWHR-FM
N-2420-59FSWHL-FM
N-2440-59FSWHR-FM



N-2460-63FSWHL-FM
N-2480-63FSWHR-FM
N-2500-67FSWHL-FM
N-2520-67FSWHR-FM



N-2540-59FSWHL-FM
N-2560-59FSWHR-FM
N-2580-63FSWHL-FM
N-2600-63FSWHR-FM



N-2620-59FSWH-FM
N-2640-69FSWH-FM



N-2660-59FSWH-FM
N-2680-66FSWH-FM



N-2700-59FSWH-FM
N-2720-67FSWH-FM



N-2740-67FSWH-FM
N-2760-59FSWH-FM



N-2780-59FSWH-FM
N-2800-67FSWH-FM



N-2820-59FSWH-FM
N-2840-67FSWH-FM
N-2860-70FSWH-FM



N-2880-59FSWH-FM
N-3000-67FSWH-FM



N-3020-59FSWH-FM
N-3040-67FSWH-FM



N-3060-59FSWH-FM
N-3080-67FSWH-FM



N-3100-59FSWH-FM
N-3120-67FSWH-FM



N-3140-59FSWH-FM
N-3160-67FSWH-FM



N-3180-59FSWH-FM
N-3200-67FSWH-FM



N-3220-59FSWH-FM
N-3240-67FSWH-FM



N-3260-70FSWH-FM
N-3260-70FSWH-FM



MODÈLE:
ND-025-XX



N-460-59FSWH-FM



N-820-59FSWH-FM
N-821-63FSWH-FM
N-822-67FSWH-FM



N-1180-59FSWH-FM



N-1380-57FSWH-FM



N-1760-55FSWH-FM
N-1761-59FSWH-FM
N-1762-63FSWH-FM



MODÈLE:
N-PUI606-XX



N-1560-59-FSWH-FM



N-1580-59FSWH-FM



N-1600-59FSWH-FM



N-1620-59FSWH-FM



N-1640-59FSWH-FM



N-1660-59FSWH-FM



N-1680-67FSWH-FM



N-1720-59FSWH-FM
N-1721-67FSWH-FM



N-1740-59FSWH-FM



N-2002-67FSWH-FM



N-2080-59FSWH-FM



N-2100-59FSWH-FM



N-2140-59FSWH-FM



N-2160-59FSWH-FM



N-1700-59FSWH-FM
N-1701-67FSWH-FM



N-250-60FSWH-FM



N-290-59FSWH-FM
N-291-59FSYW-FM
N-292-59FSGR-FM



N-293-59FSAMZ-FM
N-294-59FSMBL-FM
N-295-59FSBLU-FM



N-550-62FSWH-FM



N-590-62FSWH-FM



N-591-62FSYW-FM
N-592-62FSGR-FM
N-593-62FSAMZ-FM
N-594-62FSMBL-FM
N-595-62FSBLU-FM



N-630-63FSWH-FM



N-2180-62FSWH-FM



N-631-63FSYW-FM
N-632-63FSGR-FM
N-633-63FSAMZ-FM
N-634-63FSMBL-FM
N-635-63FSBLU-FM



N-670-59FSWH-FM



N-671-59FSYW-FM
N-672-59FSGR-FM
N-673-59FSAMZ-FM
N-674-59FSMBL-FM
N-675-59FSBLU-FM



N-811-59FSBL-FM
N-812-59FSYW-FM
N-813-59FSGR-FM
N-814-59FSAMZ-FM
N-815-59FSBLU-FM



N-950-75FSWH-FM
N-951-63FSWH-FM
N-952-75FSYW-FM
N-953-75FSGR-FM



N-954-75FSAMZ-FM
N-955-75FSMBL-FM
N-956-75FSBLU-FM



N-1760-55FSWH-FM
N-1761-59FSWH-FM
N-1762-63FSWH-FM



N-1780-59-FSWH-FM
N-1781-63FSWH-FM



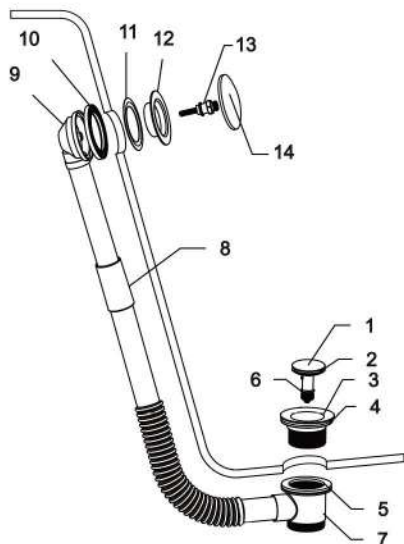
N-2000-59FSWH-FM
N-2001-63FSWH-FM



N-2020-63FSWH-FM

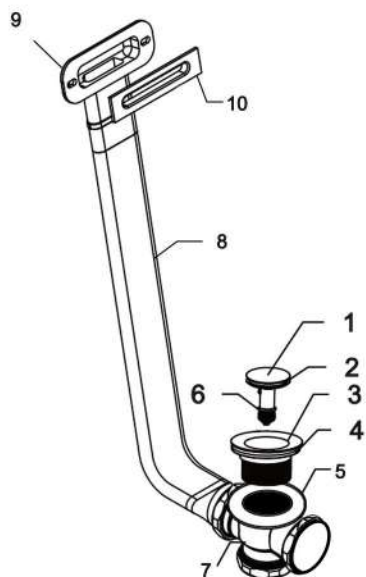
DIAGRAMMES DU DRAIN

MODÈLE: D1040C-XX



NO.	ITEM	QTY.
1	Couvercle Pop-Up	1
2	Anneau en O	1
3	Drain	1
4	Joint en caoutchouc	1
5	Joint plat en caoutchouc	1
6	Cartouche	1
7	Drain Tee	1
8	Tuyau d'assemblage	1
9	Corps de débordement	1
10	Joint arrière	1
11	Joint supérieur	1
12	Passoire	1
13	Drain	1
14	Plateau de débordement	1

MODÈLE: D1040F-XX



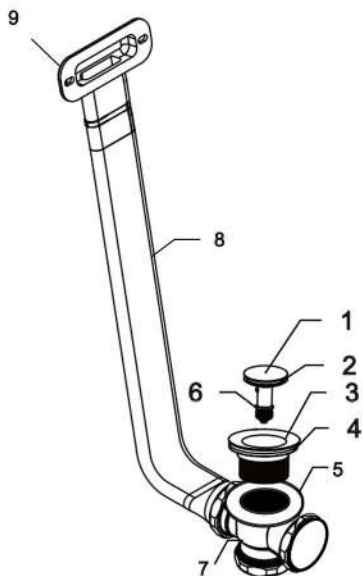
NO.	ITEM	QTY.
1	Couvercle Pop-Up	1
2	Anneau en O	1
3	Drain	1
4	Joint en caoutchouc	1
5	Joint plat en caoutchouc	1
6	Cartouche	1
7	Drain Tee	1
8	Tuyau d'assemblage	1
9	Corps de débordement	1
10	Plateau de débordement	1

**XX REPRÉSENTE LES DIFFÉRENTES COULEURS DES OBJETS

DIAGRAMMES DU DRAIN

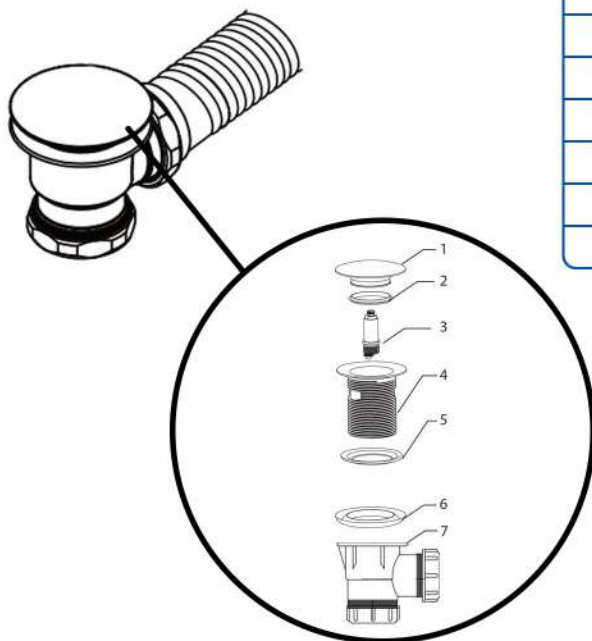
MODÈLE: D1845-XX

(LE MODÈLE N'EST PAS LIVRÉ AVEC UN COUVERCLE DE TROP-PLEIN PAR CONCEPTION)



NO.	ITEM	QTY.
1	Couvercle Pop-Up	1
2	Anneau en O	1
3	Drain	1
4	Joint en caoutchouc	1
5	Joint plat en caoutchouc	1
6	Cartouche	1
7	Drain Tee	1
8	Tuyau d'assemblage	1
9	Corps de débordement	1

MODÈLE: ND-025-XX



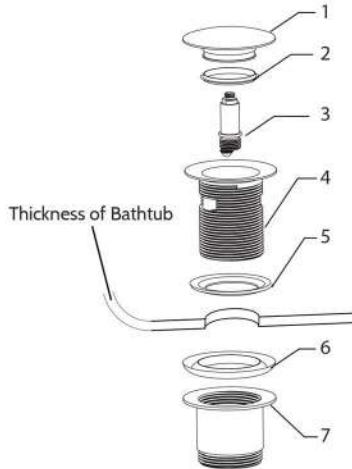
NO.	ITEM	QTY.
1	Couvercle Pop-Up	1
2	Anneau en O	1
3	Drain	1
4	Joint en caoutchouc	1
5	Joint plat en caoutchouc	1
6	Cartouche	1
7	Drain Tee	1

**XX REPRÉSENTE LES DIFFÉRENTES COULEURS DES OBJETS

DIAGRAMMES DU DRAIN

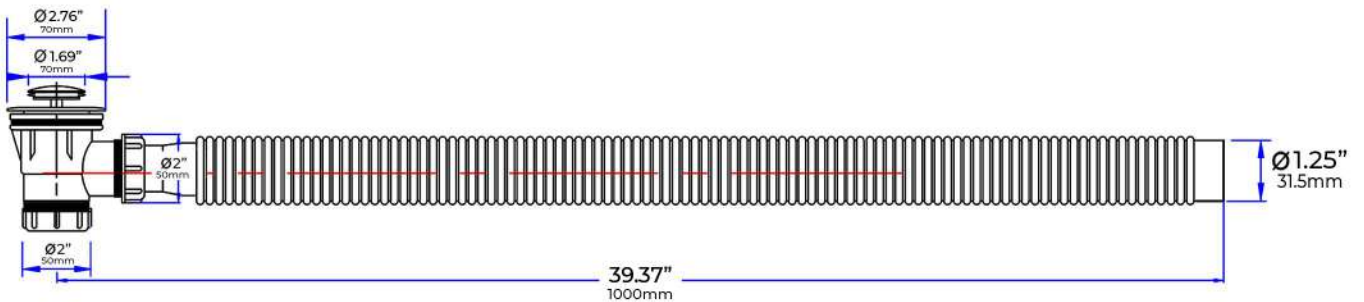
MODÈLE: N-PU1606-XX

(LE MODÈLE N'EST PAS LIVRÉ AVEC UN COUVERCLE DE TROP-PLEIN PAR CONCEPTION)



NO.	ITEM	QTY.
1	Couvercle Pop-Up	1
2	Anneau en O	1
3	Drain	1
4	Joint en caoutchouc	1
5	Joint plat en caoutchouc	1
6	Cartouche	1
7	Drain Tee	1

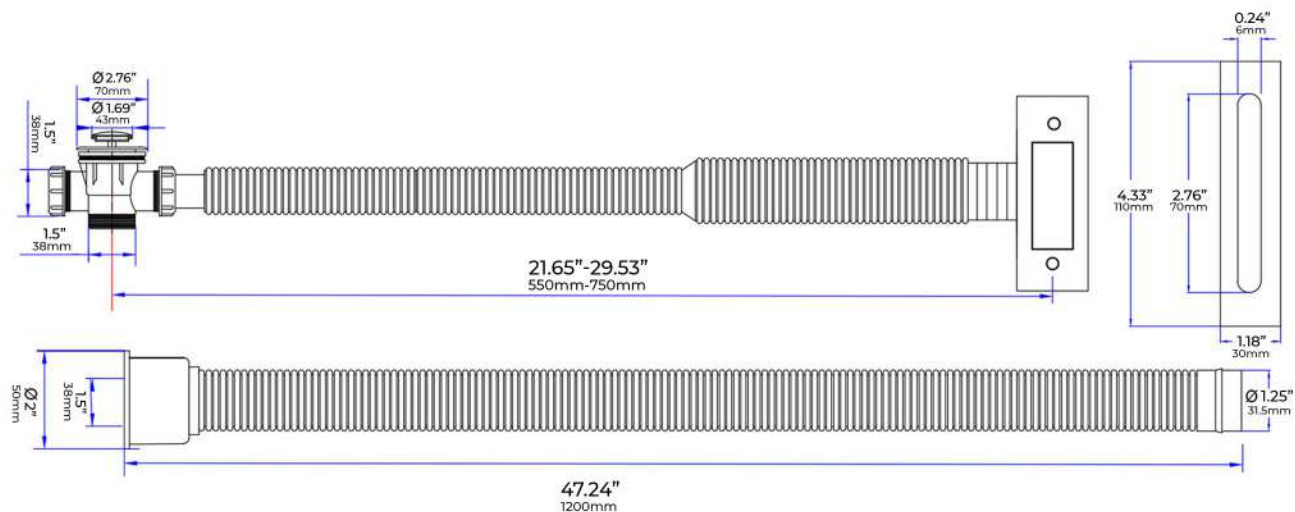
ND-025-XX



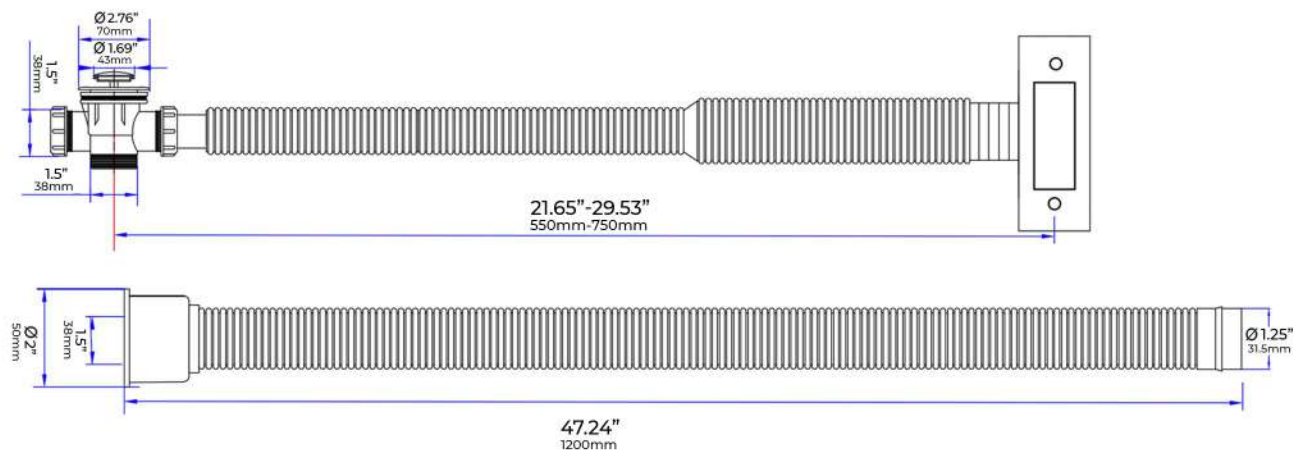
**XX REPRÉSENTE LES DIFFÉRENTES COULEURS DES OBJETS

DIAGRAMMES DU DRAIN

D1040F-XX



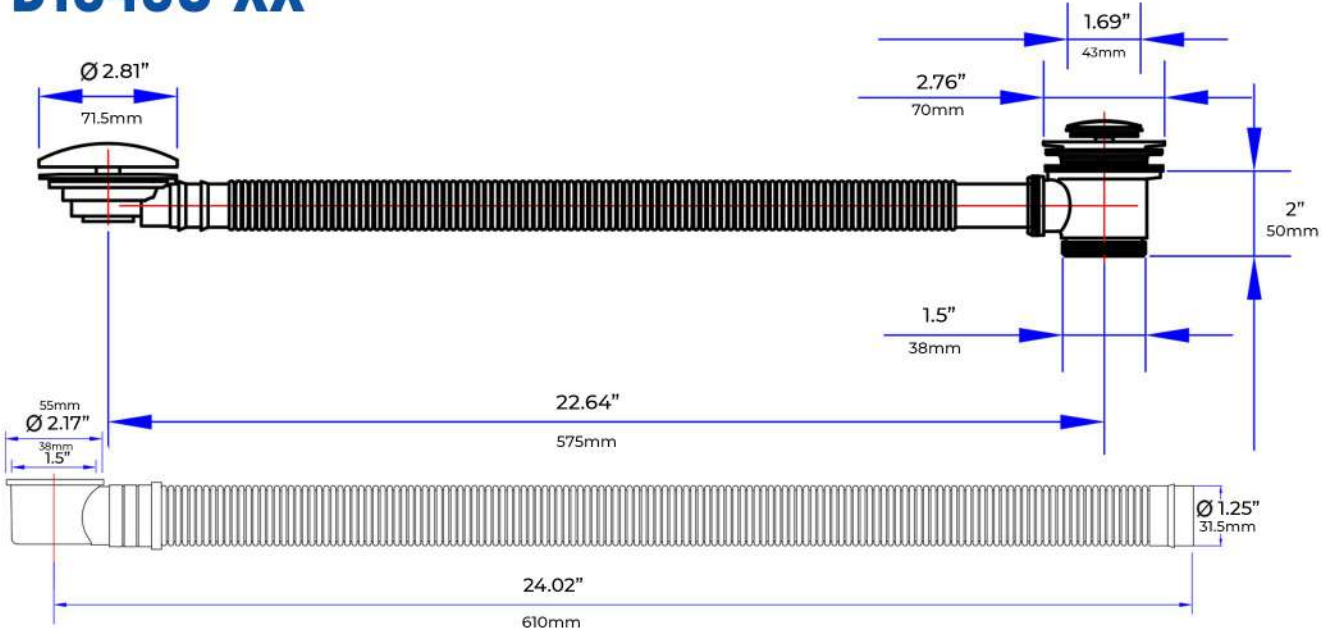
D1845-XX



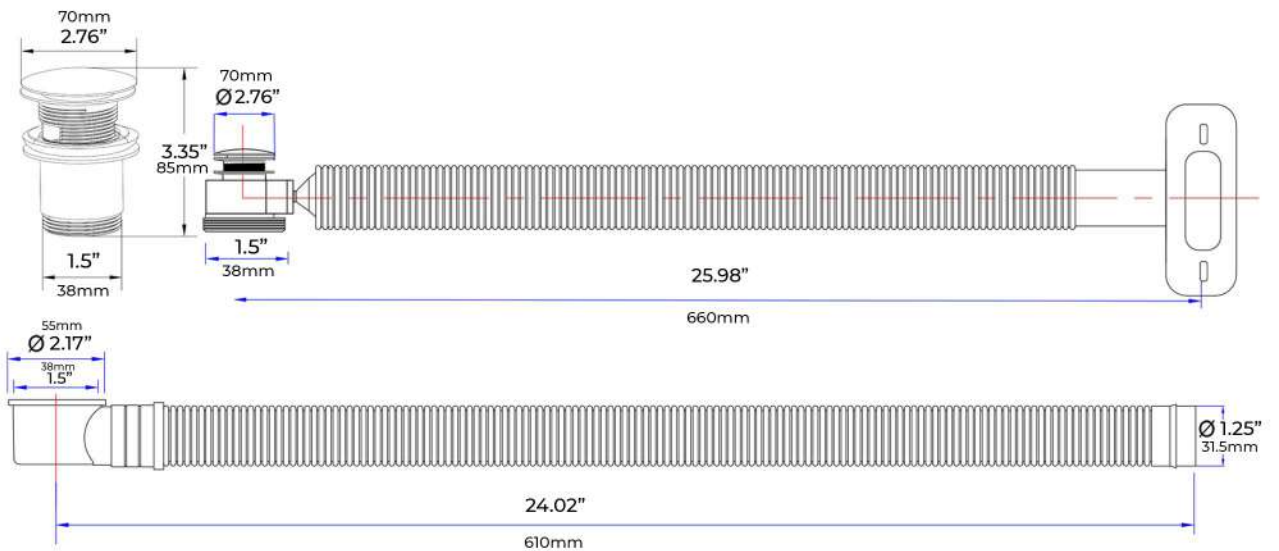
**XX REPRÉSENTE LES DIFFÉRENTES COULEURS DES OBJETS

DIAGRAMMES DU DRAIN

D1040C-XX



N-PU1606-XX



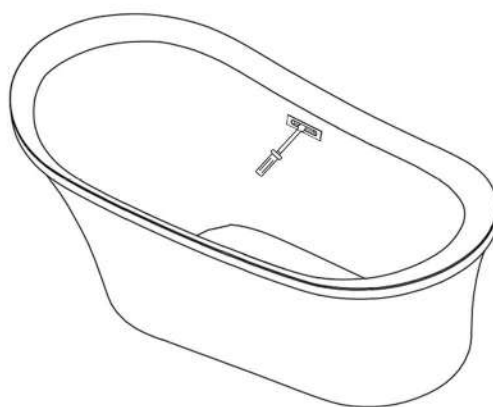
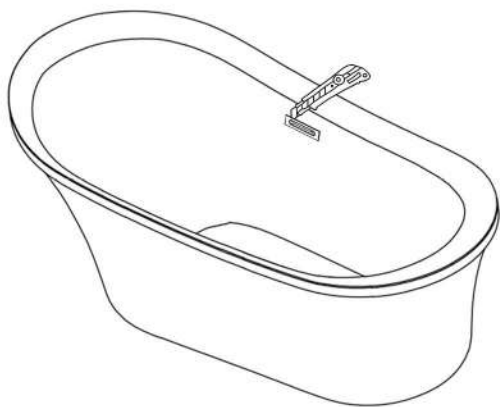
**XX REPRÉSENTE LES DIFFÉRENTES COULEURS DES OBJETS

DRAINS D1040F-XX

COMMENT RETIRER LE BOUCHON D'ANTI-DÉBORDEMENT:

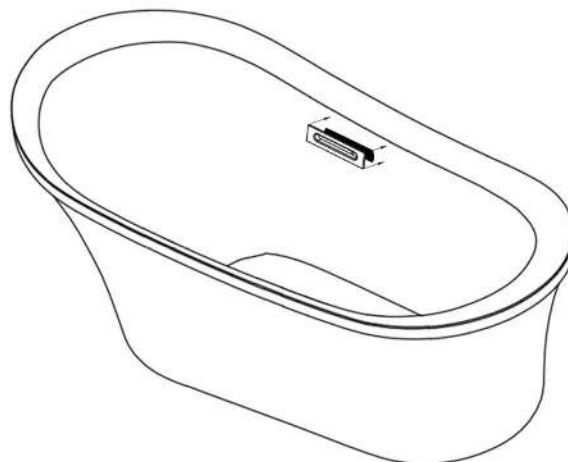
Si le trou d'anti-débordement est déjà installé sur votre modèle, il y a deux façon de retirer le bouchon.

1. Prendre un couteau et couper autour du trou de débordement. Vous couperez ainsi l'adhésive, vous permettant de retirer le bouchon.
2. Prenez un tournevis et insérez-le dans le trou d'évacuation anti-débordement et appuyant pour faire sauter le bouchon.



COMMENT INSTALLER LE BOUCHON DE DEBORDEMENT:

1. Mettre la boule de silicone derrière le bouchon de débordement. Aligner le bouchon avec le trou sur la baignoire et le coller. Appuyer fermement. Retirer l'excédent d'adhésif. Laisser sécher pendant 24h.



**XX REPRÉSENTENT LES DIFFÉRENTES COULEURS DES OBJETS

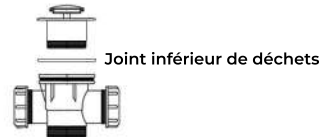
DRAINS D1040F-XX

COMMENT INSTALLER LE DRAIN:

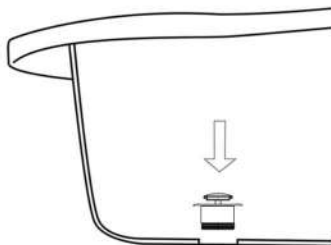
1. Dévisser la passoire de la tête de drain qui vient dans une boîte séparée à l'achat.



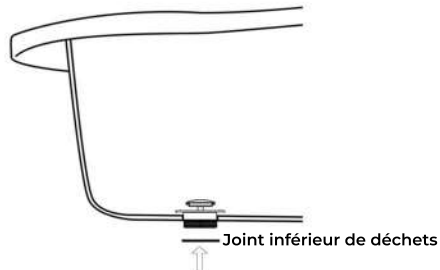
2. Retirer le joint en caoutchouc le plus gros. NE PAS RETIRER LE PETIT JOINT DU BAS.



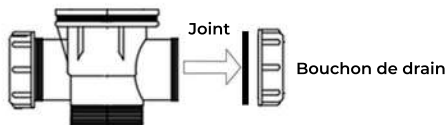
3. Placer la passoire dans le trou à l'intérieur de la baignoire.



4. Prendre le joint retiré au préalable et le remettre dans la passoire par en-dessous de la baignoire.



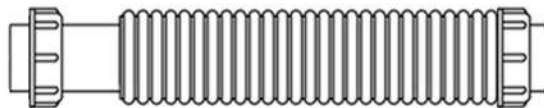
5. Prendre la tête de drain et dévisser le capuchon côté droit pour l'assembler à l'anti-débordement. Il y a un joint qu'il vous faudra retirer pour attacher le drain. Le garder de côté pour l'instant.



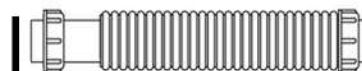
6. Prendre la tête de drain et l'attacher à la passoire par en-dessous de la baignoire. Serrer autant que possible le drain de débordement.



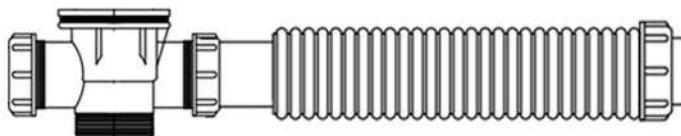
7. Passer le capuchon dans le tuyau anti-débordement et laisser reposer.



8. Prendre le joint retiré précédemment et le passer sur le premier anneau du tuyau de débordement. Assurez-vous que le joint soit mis à l'endroit comme ceci :



9. Attachez le tuyau à la tête de drain que vous avez attaché à la passoire à l'étape 6. Serrer fermement. Assurez-vous qu'il n'y ait pas de fuites avant de terminer l'installation, car il vous faudra peut-être serrer plus et repositionner le joint correctement. Ceci est une étape importante qui ne peut pas être ignorée.

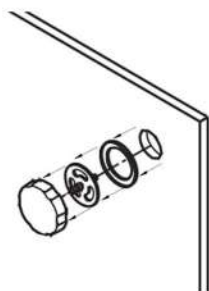


**XX REPRESENTENT LES DIFFERENTES COULEURS DES OBJETS

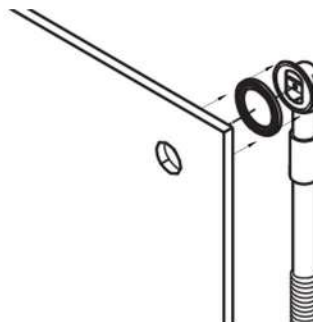
DRAINS D1040C-XX

COMMENT RETIRER LE BOUCHON ANTI-DEBORDEMENT:

1. Dévisser le bouchon rond du trou anti-débordement. Il y en aura une visse de sécurité visible. Dévissez-la visse de sécurité et retirez-la ainsi que la plaque anti-débordement.



2. Veuillez retirer le gros joint en caoutchouc ainsi que le drain anti-débordement de l'arrière de la baignoire.

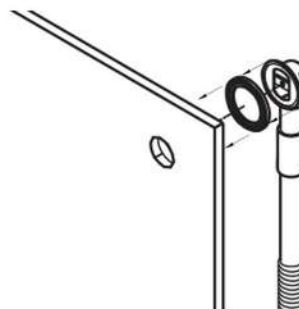


COMMENT INSTALLER LE BOUCHON DE DEBORDEMENT:

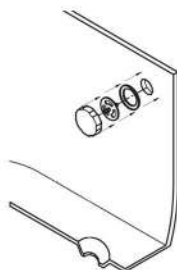
1. Dévissez le bouchon anti-débordement, la plaque anti-débordement et la visse de sécurité du drain de la couleur de votre choix.



2. Prendre le tuyau anti-débordement avec le joint en caoutchouc et attachez le derrière la baignoire.



3. Prendre la plaque anti-débordement et la placer sur le trou anti-débordement. Prendre la visse de sécurité et la visser pour fixer. Prendre le cache anti-débordement et le visser sur la visse de sécurité.



**XX REPRESENTENT LES DIFFERENTES COULEURS DES OBJETS

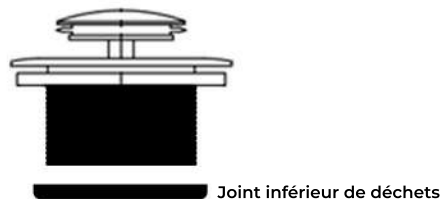
DRAINS D1040C-XX

COMMENT INSTALLER LE DRAIN

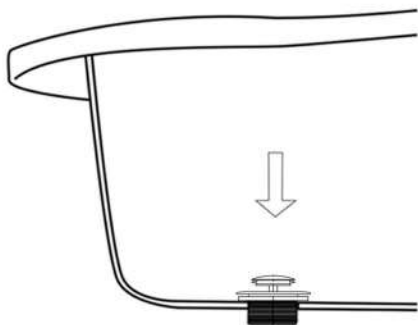
1. Retirez la passoire de la tête de drain qui vient dans une boîte séparée à l'achat.



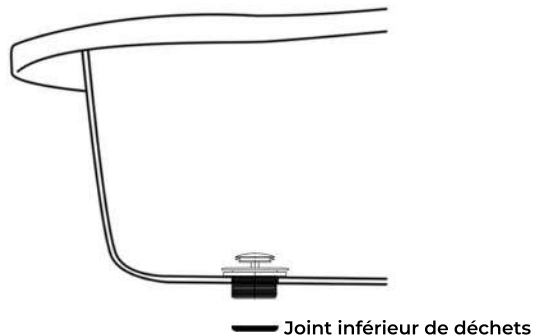
2. Retirer le joint en caoutchouc le plus gros. NE PAS RETIRER LE PETIT JOINT DU BAS.



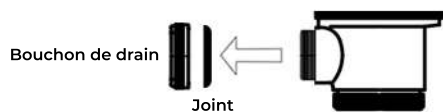
3. Placer la passoire dans le trou à l'intérieur de la baignoire.



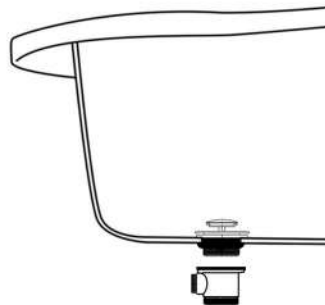
4. Prendre le joint inférieur précédemment mis de côté et le fixer à la passoire par en dessous de la baignoire.



5. Prendre la tête et dévisser le bouchon droit pour connecter à l'anti-débordement. Il y a un joint qu'il vous faudra retirer pour attacher le drain. Le garder de côté pour l'instant.



6. Prendre la tête de drain et l'attacher à la passoire par en dessous de la baignoire. Serrer autant que possible.

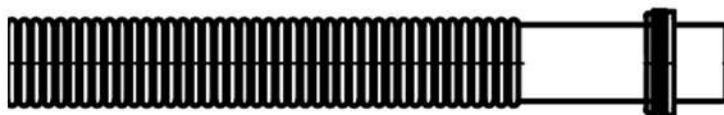


**XX REPRESENTENT LES DIFFERENTES COULEURS DES OBJETS

DRAINS D1040C-XX

COMMENT INSTALLER LE DRAIN

7. Prenez le capuchon que vous avez dévissé et passez le dans le tuyau anti-débordement.



8. Prenez le joint en caoutchouc que vous aviez mis de côté et passez-le au bout du drain anti-débordement. Ce joint devrait être à l'intérieur du tuyau anti-débordement pour éviter les fuites. Assurez-vous que le joint soit à l'endroit comme ceci :



9. Attachez le tuyau à la tête de drain que vous avez attaché à la passoire à l'étape 6. Serrer fermement. Assurez-vous qu'il n'y ait pas de fuites avant de terminer l'installation, car il vous faudra peut-être serrer plus et repositionner le joint correctement. Ceci est une étape importante qui ne peut pas être évitée.



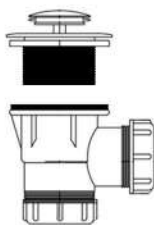
**XX REPRESENTENT LES DIFFERENTES COULEURS DES OBJETS

DRAIN ND-025-XX:

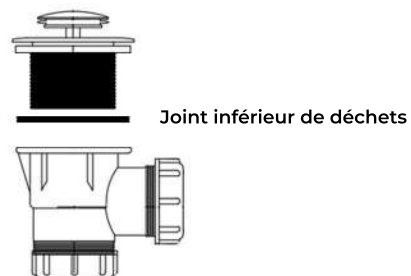
COMMENT INSTALLER LE DRAIN:

Veillez noter que ces modèles de baignoires avec ce drain n'ont PAS d'anti-débordement. C'est un trait de design. AUCUN système anti-débordement ne peut être installé sur les baignoires avec ce type de drain.

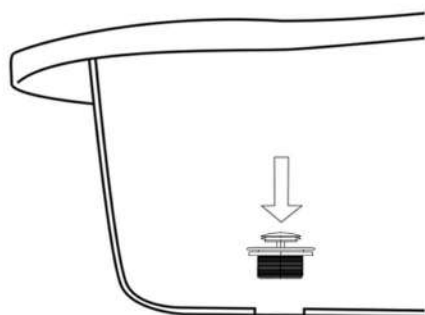
1. Retirez la passoire de la tête de drain qui vient dans une boîte séparée à l'achat.



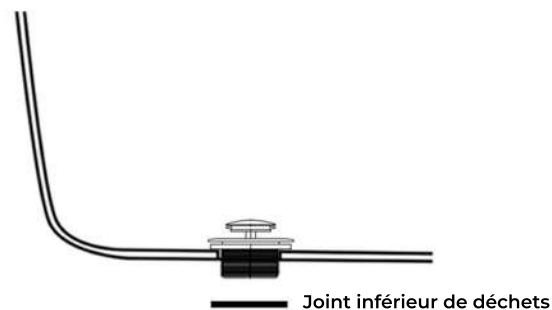
2. Retirer le joint en caoutchouc le plus gros. NE PAS RETIRER LE PETIT JOINT DU BAS.



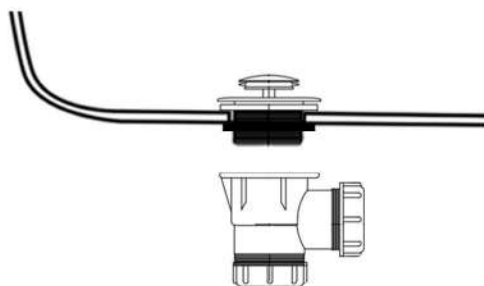
3. Placer la passoire dans le trou à l'intérieur de la baignoire.



4. Prendre le joint inférieur précédemment mis de côté et le fixer à la passoire par en dessous de la baignoire.



5. Prendre la tête de drain et y attacher la passoire par en-dessous de la baignoire. Serrer autant que possible.

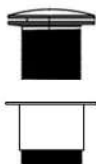


**XX REPRESENTENT LES DIFFERENTES COULEURS DES OBJETS

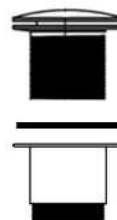
DRAIN N-PU1606-XX

COMMENT INSTALLER LE DRAIN:

1. Dévisser la passoire de la tête de drain qui vient dans une boîte séparée à l'achat.

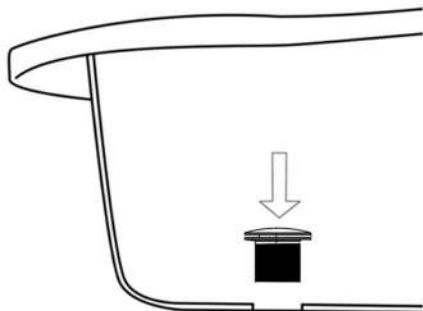


2. Retirer le joint en caoutchouc le plus gros. NE PAS RETIRER LE PETIT JOINT DU BAS.

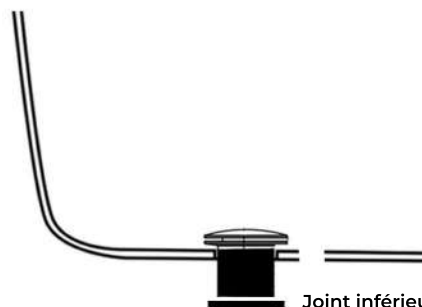


Joint inférieur de déchets

3. Placer la passoire dans le trou à l'intérieur de la baignoire.

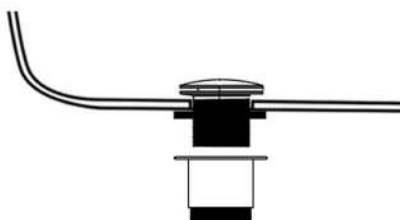


4. Prendre le joint inférieur retiré au préalable et le rattacher à la passoire par en dessous de la baignoire.



Joint inférieur de déchets

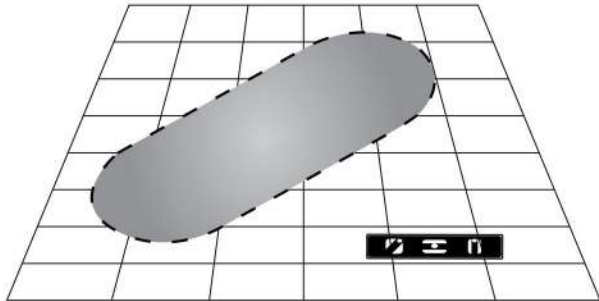
5. Prendre la tête de drain et y attacher la passoire par en-dessous de la baignoire. Serrer autant que possible.



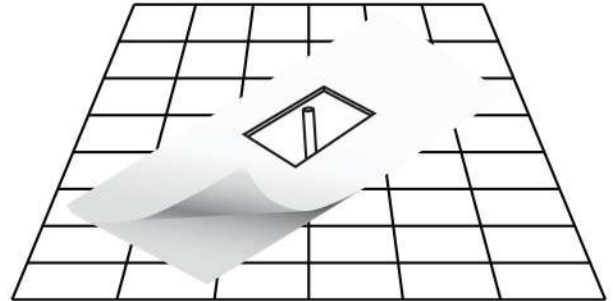
**XX REPRESENTENT LES DIFFERENTES COULEURS DES OBJETS

INSTALLATION DE LA BAIGNOIRE

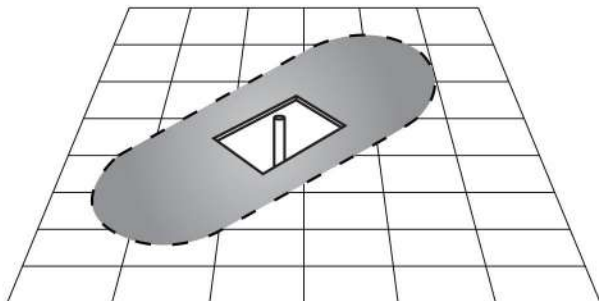
1. Assurez-vous que le sol sur lequel vous souhaitez installer la baignoire est droit et peut soutenir le poids.



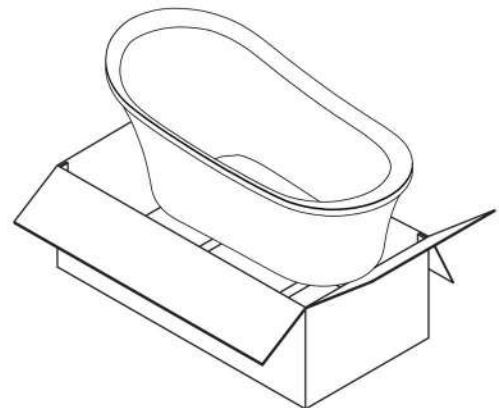
2. Il est recommandé d'imperméabiliser le sol.



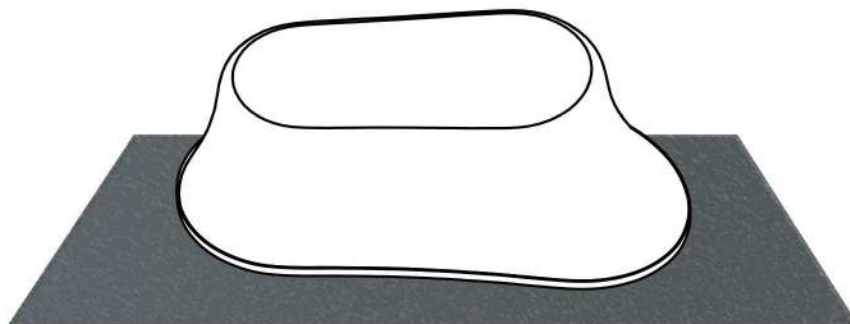
3. Déterminer l'emplacement de l'évacuation d'eau sur le sol en mesurant le drain et le trou d'évacuation sous la baignoire. Nettoyer la zone et le trou d'évacuation avant l'installation. Assurez-vous que la zone soit sèche et sans résidus.



4. Sortir la baignoire de la boîte. Il est recommandé de porter la baignoire à deux. Assurez-vous de poser la baignoire à l'envers.

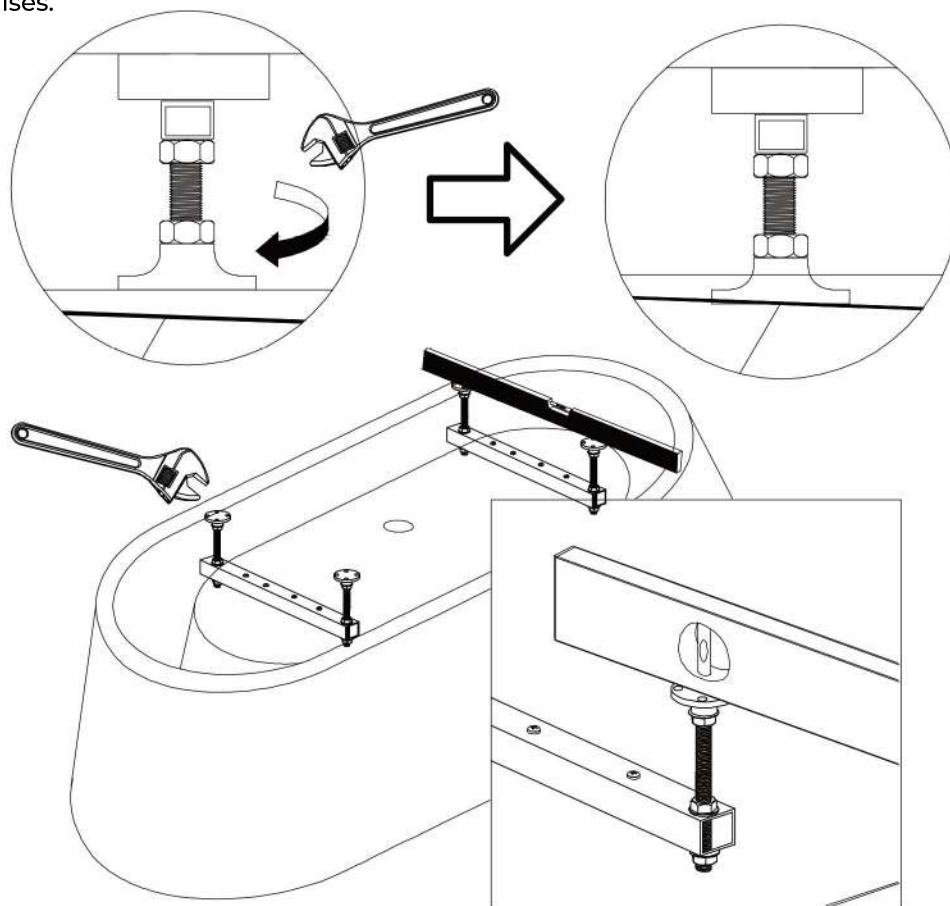


5. Poser doucement la baignoire à l'envers sur du carton ou un tapis pour éviter tout contact avec une surface dure.

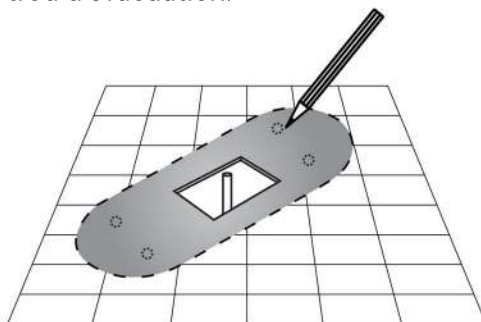


INSTALLATION DE LA BAIGNOIRE

6. Desserrer les boulons et les bagues de la structure en métal. Ajuster les pieds pour qu'ils soient alignés avec le bas de la baignoire ainsi que le sol puis resserrer les boulons et bagues. Quand vous mettez la baignoire à niveau, assurez-vous que la baignoire repose sur le sol par sa base et NON PAS sur ses pieds ajustables. Chaque pied doit être traité individuellement pour s'assurer que la baignoire soit droite même sur un sol inégal. Les quatre pieds n'auront peut-être pas besoin d'être utilisés.

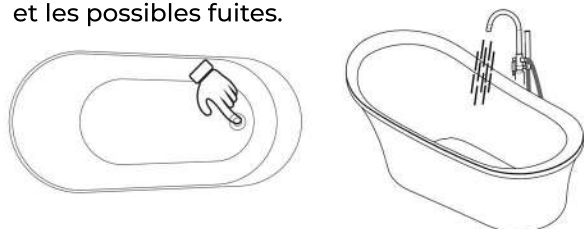


7. Assurez-vous de noter la position des pieds sur le sol avec un crayon à papier. Placez la baignoire sur la position désirée, non loin du trou d'évacuation.

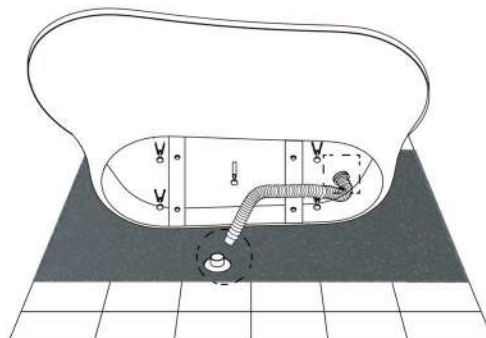


INSTALLATION DE LA BAIGNOIRE

8. Avant de vous lancer dans l'installation, fermez le bouchon et remplissez la baignoire au-dessus du point anti-débordement. (Note : Certains modèles n'ont pas d'évacuation anti-débordement.) Afin de tester l'anti-débordement et les possibles fuites.

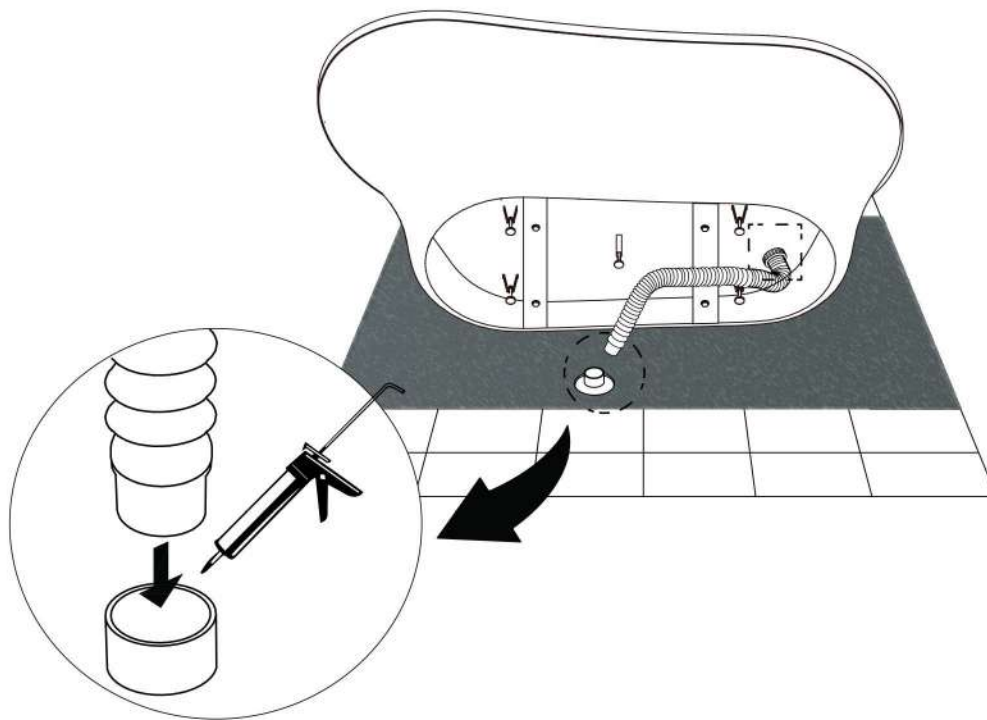


9. Attachez le tuyau d'évacuation au trou d'évacuation dans le sol.



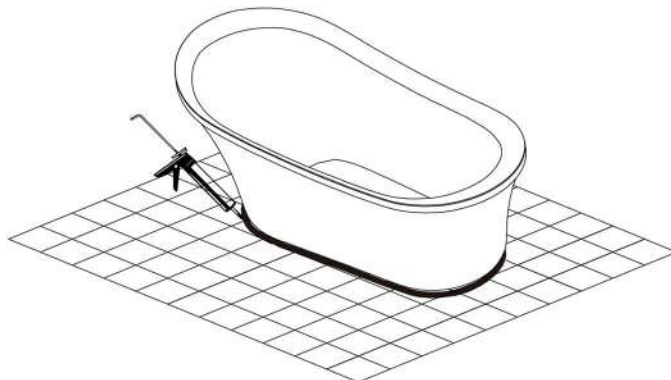
10. Venez noter que le tuyau d'évacuation flexible est standard et une façon basique de s'adapter au système de votre maison. La plomberie de chaque maison est différente, consulter un plombier certifié pour vous assurer que la tuyauterie de votre maison est compatible avec ce tuyau d'évacuation.

11. Isoler la connexion avec un joint PVC pour sceller tous les éléments.



INSTALLATION DE LA BAIGNOIRE

12. Appliquer du silicone à la base de la baignoire afin d'isoler le tout. Puis appliquer une perle d'isolant carrelage sur les bords de la base de la baignoire.



13. Maintenant que la baignoire est en place, retirer l'excédent de silicone et d'isolant.



14. Laissez poser 24h.

