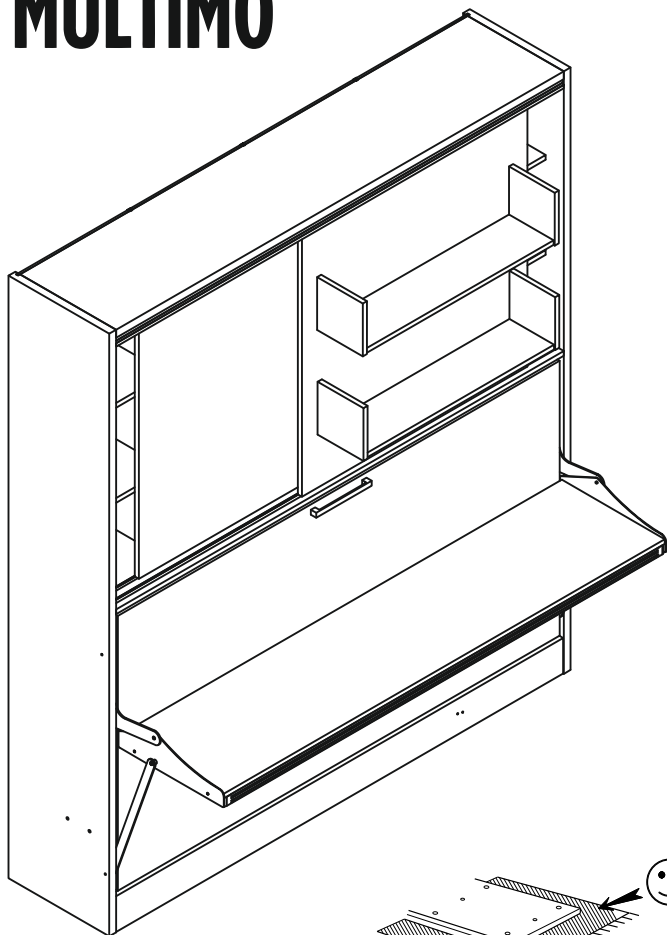




MULTIMO

A 214 PARETE LETTO T



70 min.



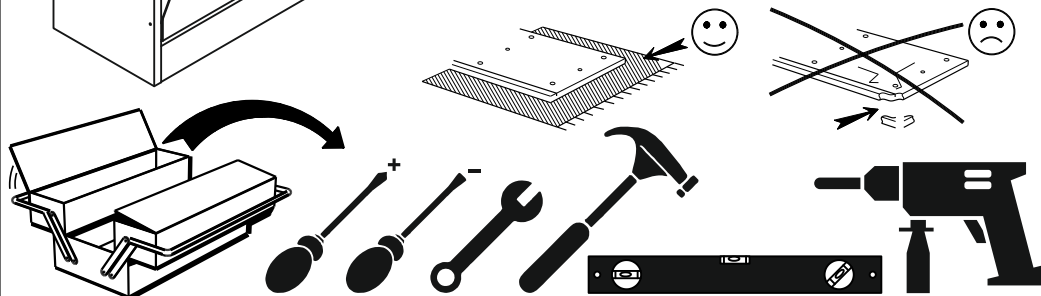
Technical Service



180 min.



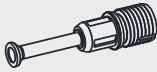
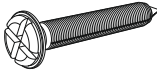
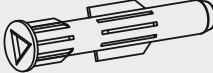
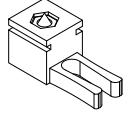
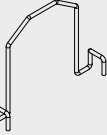
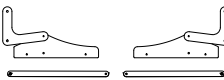
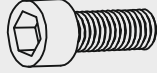



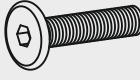
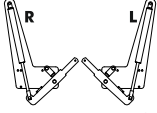

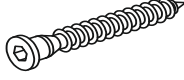
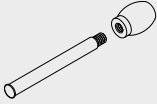
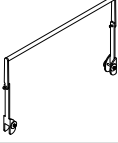




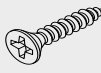

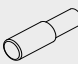
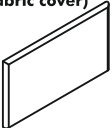


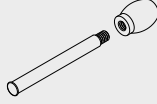

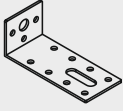


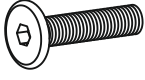



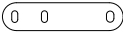
End User

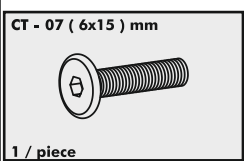
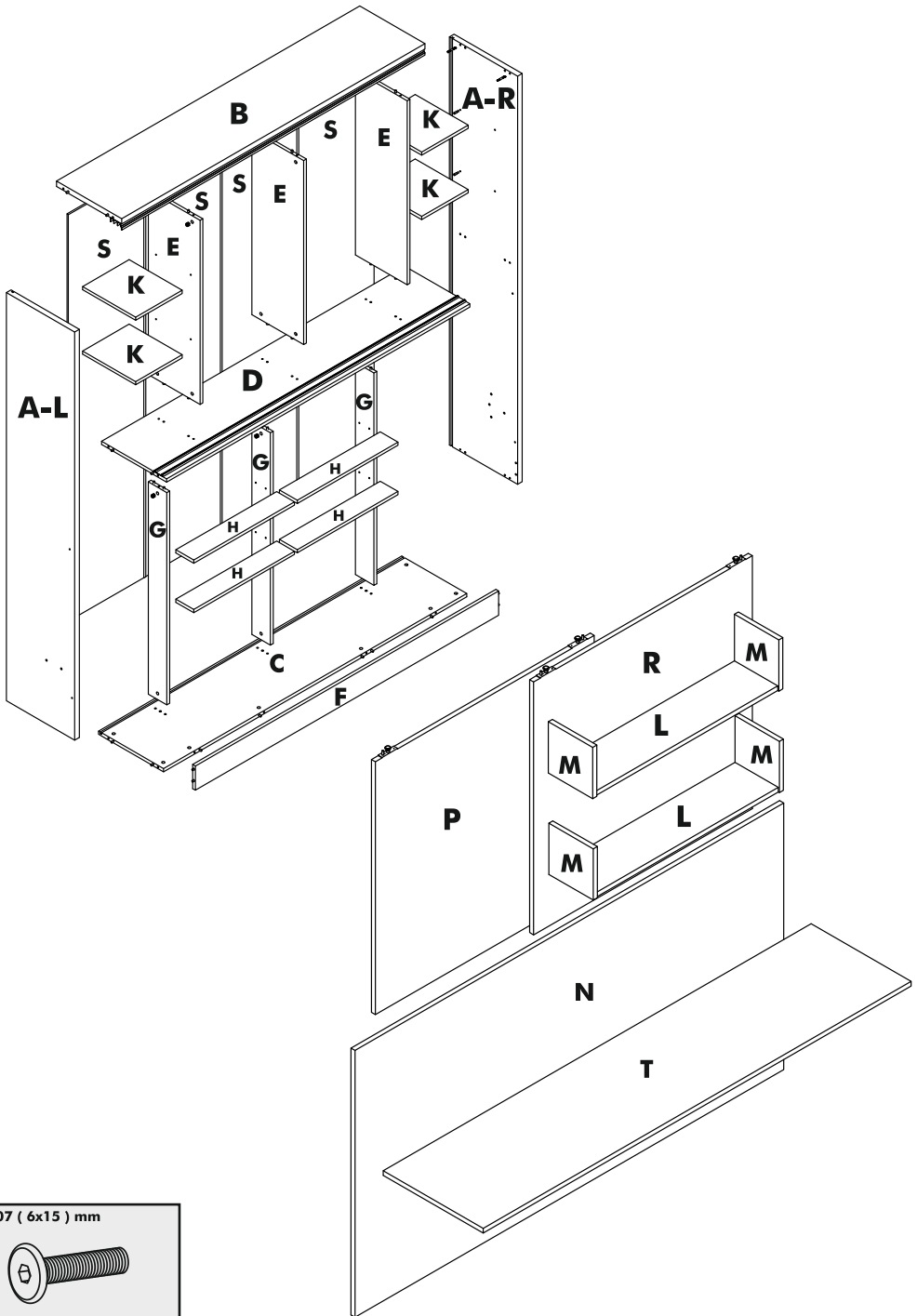


Track Title	Piece	(inch)			(mm)			
		Thickness	Length	Width	Piece	Thick	Height	Most
A		1,18	89,76	17,32	2	30	2280	440
B		1,18	77,01	16,54	1	30	1956	420
C		0,71	77,01	16,54	1	18	1956	420
D		0,71	77,01	16,54	1	18	1956	420
E		0,71	40,47	13,15	3	18	1028	334
F		0,71	77,01	5,31	1	18	1956	135
G		0,71	46,69	4,72	3	18	1186	120
H		0,71	25,59	4,65	4	18	650	118
K		0,71	11,81	12,99	4	18	300	330
L		0,71	32,28	7,68	2	18	820	195
M		0,71	7,87	7,87	4	18	200	200
N		0,71	75,98	40,94	1	18	1930	1040
P		0,71	38,82	38,78	1	18	986	985
R		0,71	38,82	38,78	1	18	986	985
S		0,31	89,41	19,37	4	8	2271	492
T		0,71	75,75	17,72	1	18	1924	450

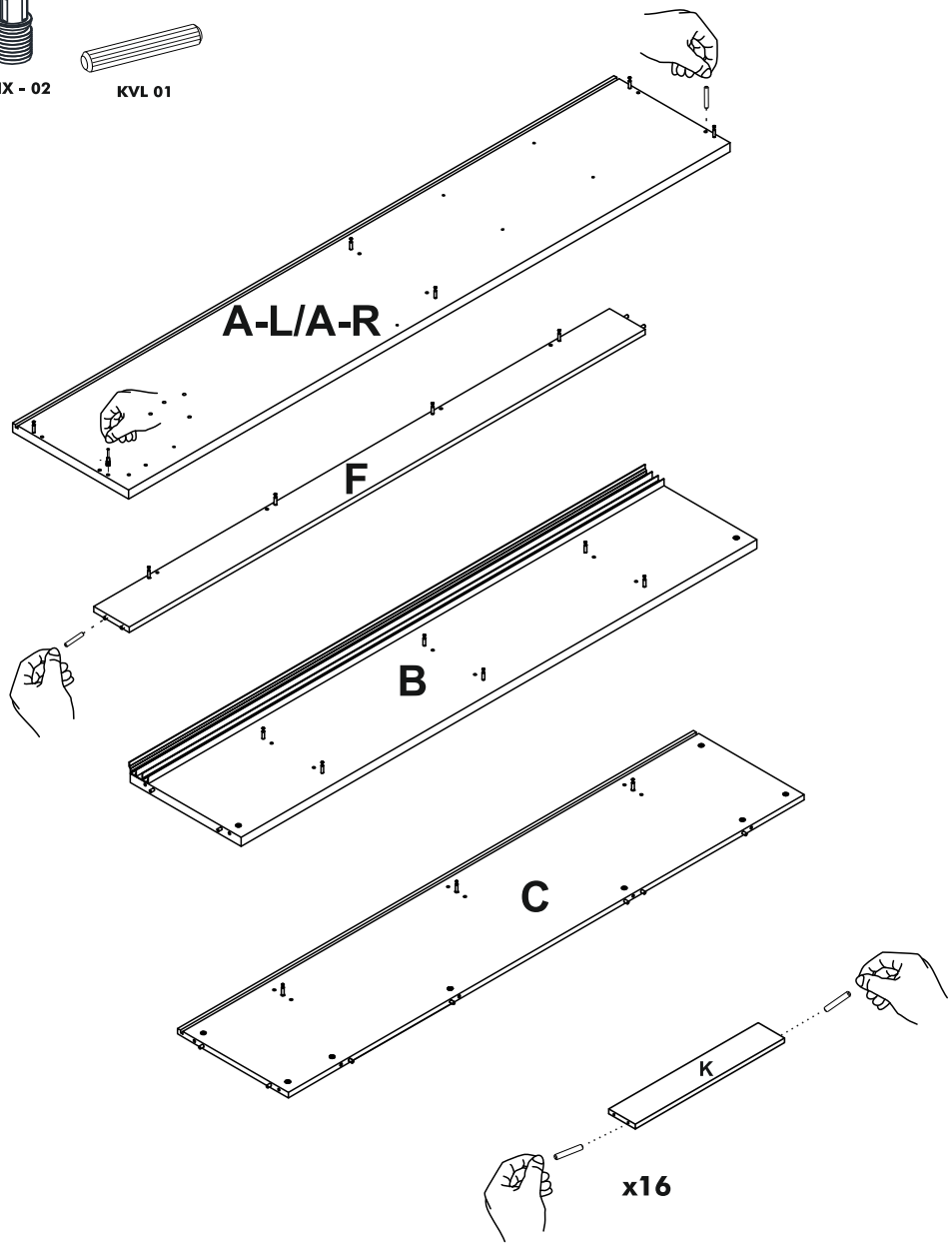
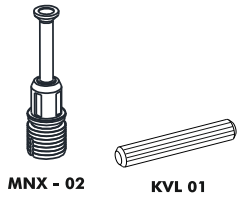
Accessories List



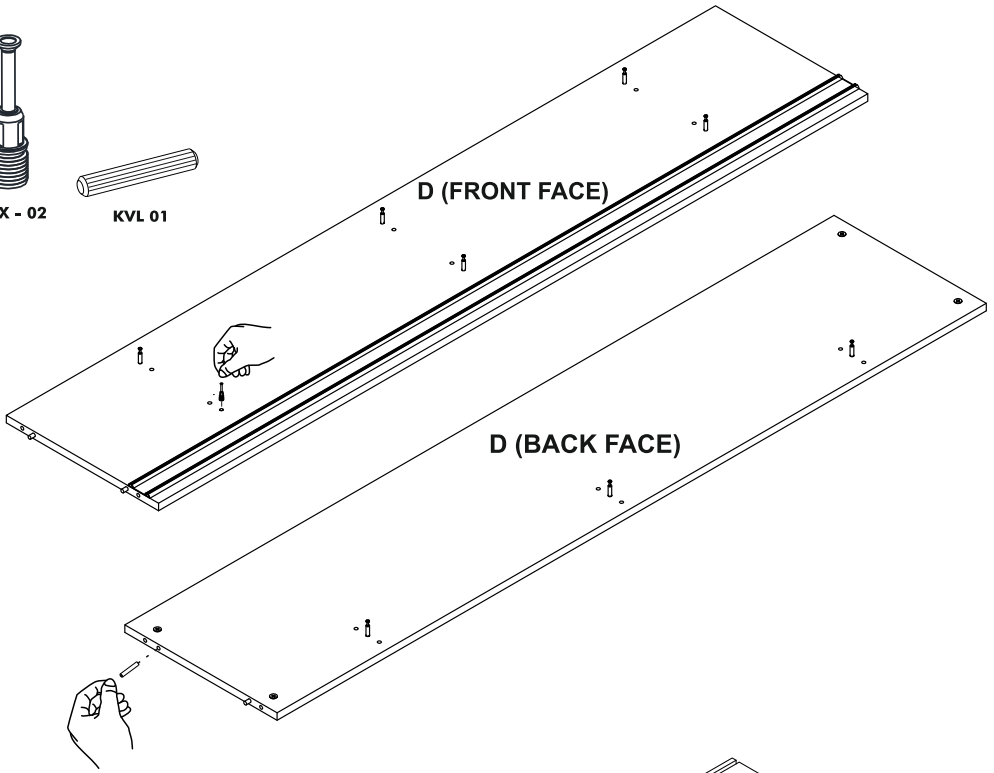
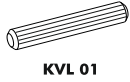
<p>MX 02</p>  <p>42 / piece</p> <p>VD - 02 (3,5x25) mm</p>  <p>24 / piece</p> <p>DD - 01 (R12)</p>  <p>3 / piece</p> <p>STP - 01</p>  <p>4 / piece</p> <p>TTC 01</p>  <p>4 / piece</p> <p>SC - 32</p>  <p>2 / piece</p> <p>IM - 01 (6x30) mm</p>  <p>4 / piece</p> <p>SG - 01</p>  <p>2 / piece</p> <p>VKP - 01 (22) mm</p>  <p>2 / piece</p>	<p>MNG - 01</p>  <p>42 / piece</p> <p>CT - 01 (6x40) mm</p>  <p>6 / piece</p> <p>MKZ - 02</p>  <p>2 / piece 350N</p> <p>BO - 01</p>  <p>2 / piece</p> <p>VDA - 01 (6,5x50) mm</p>  <p>6 / piece</p> <p>KLT 01</p>  <p>1 / piece</p> <p>KOR 01</p>  <p>1 / piece</p> <p>KP - 01 (224) mm</p>  <p>1 / piece</p> <p>KVL 01</p>  <p>64 / piece</p>	<p>VTB - 01 (4,8x16) mm</p>  <p>12 / piece</p> <p>PL - 02 (8x22x2) mm</p>  <p>3 / piece</p> <p>VD - 03 (3,5x18) mm</p>  <p>8 / piece</p> <p>PL - 01 (6x19x2) mm</p>  <p>4 / piece</p> <p>PM - 01</p>  <p>16 / piece</p> <p>KLF 01 (fabric cover)</p>  <p>1 / piece</p> <p>SN - 01 (M6)</p>  <p>4 / piece</p> <p>AL - 02</p>  <p>5</p> <p>KLT 01</p>  <p>1 / piece</p>	<p>VD - 01(6X70) mm</p>  <p>3 / piece</p> <p>DSE - 01 (40x90x32) mm</p>  <p>3 / piece</p> <p>OT-054</p>  <p>2 / piece</p> <p>AF - 01</p>  <p>4 / piece</p> <p>CT - 02 (6x30) mm</p>  <p>2 / piece</p> <p>TAP - 01</p>  <p>42 / piece</p> <p>H 01</p>  <p>3 / piece</p> <p>AL - 01</p>  <p>4</p> <p>SC-25</p>  <p>1 / piece</p>
--	--	---	--



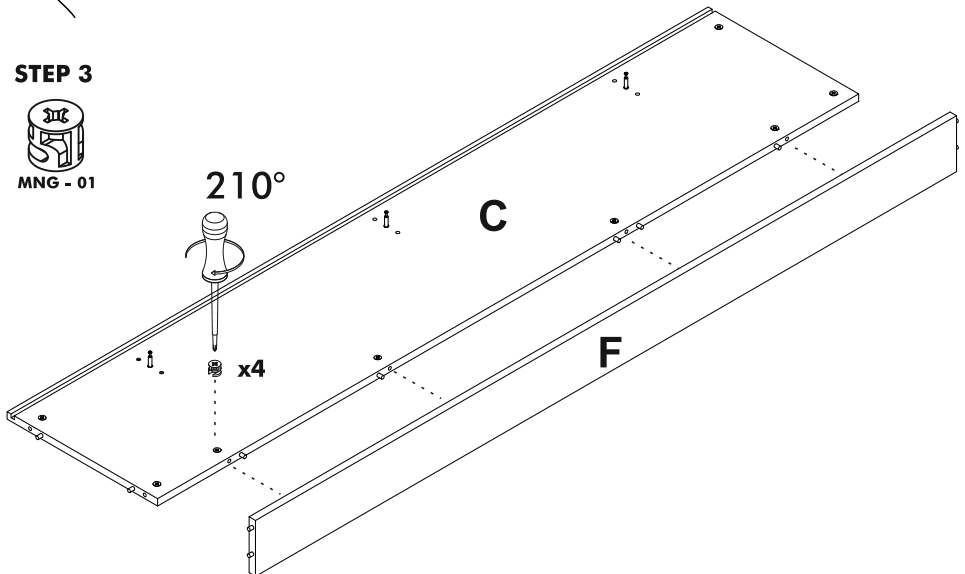
STEP 1



STEP 2



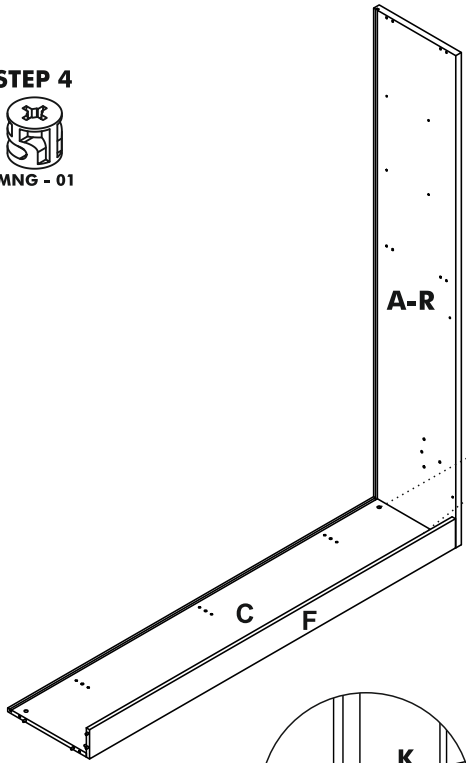
STEP 3



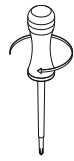
STEP 4



MNG - 01

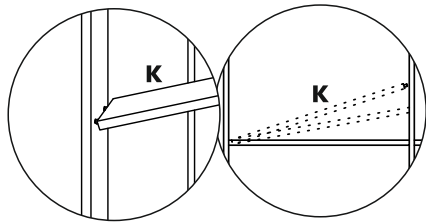


210°



x2

STEP 5



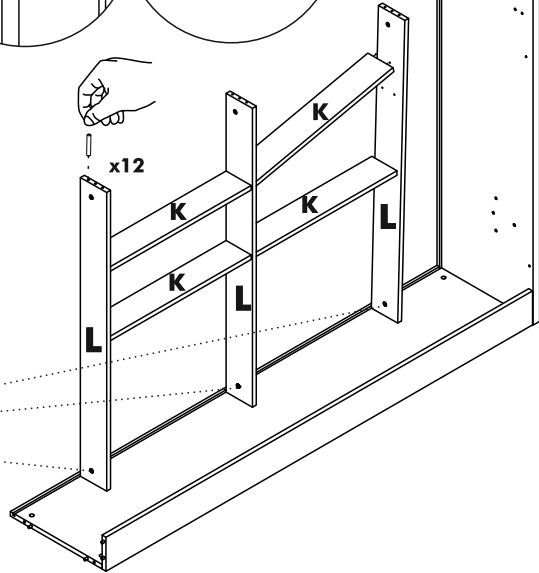
210°



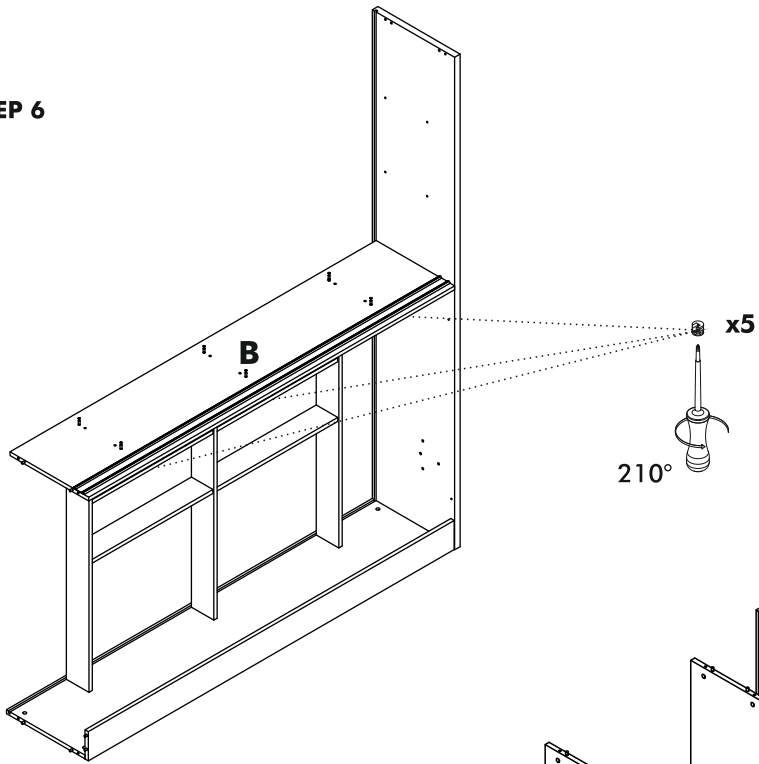
x3



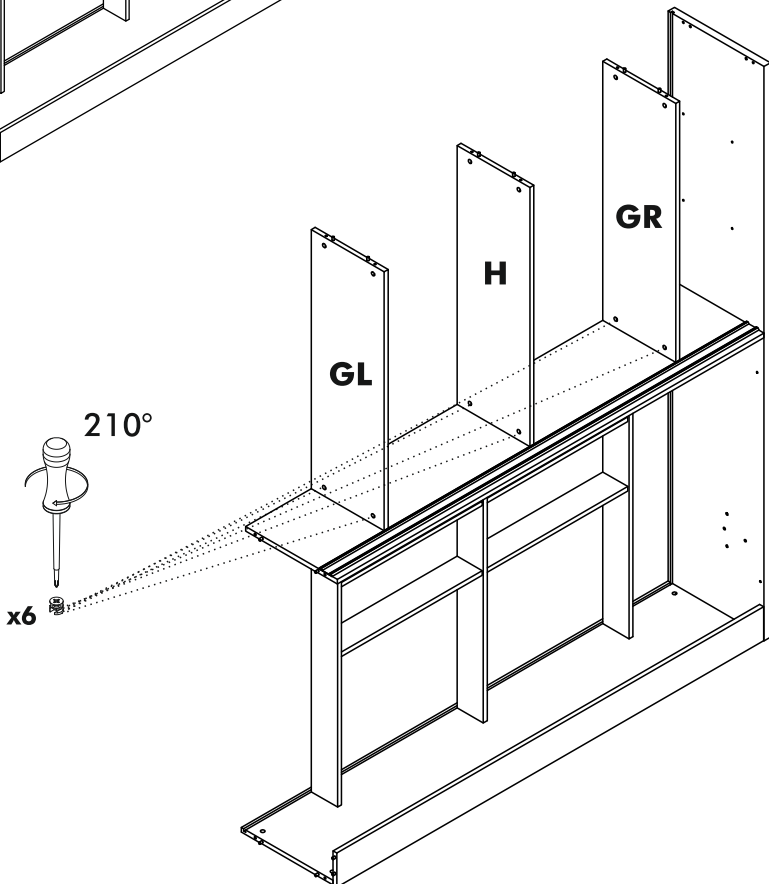
x12



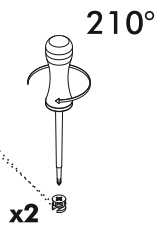
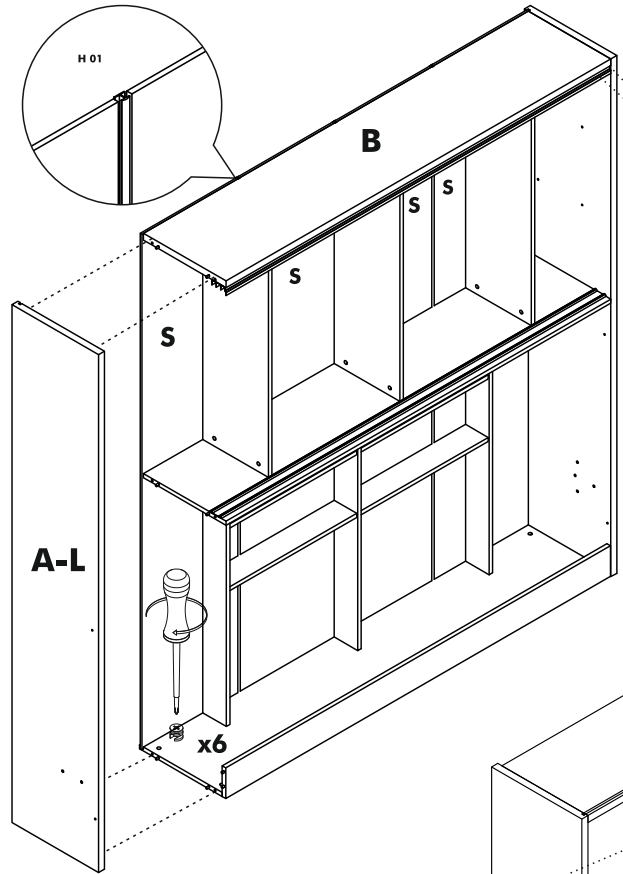
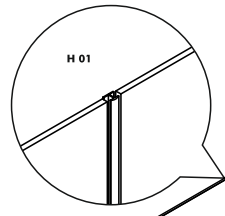
STEP 6



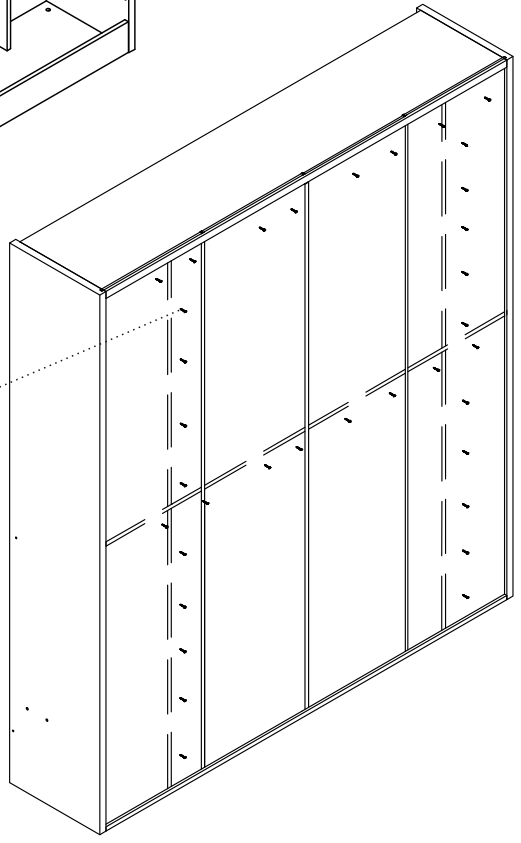
STEP 7



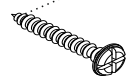
STEP 8



STEP 9



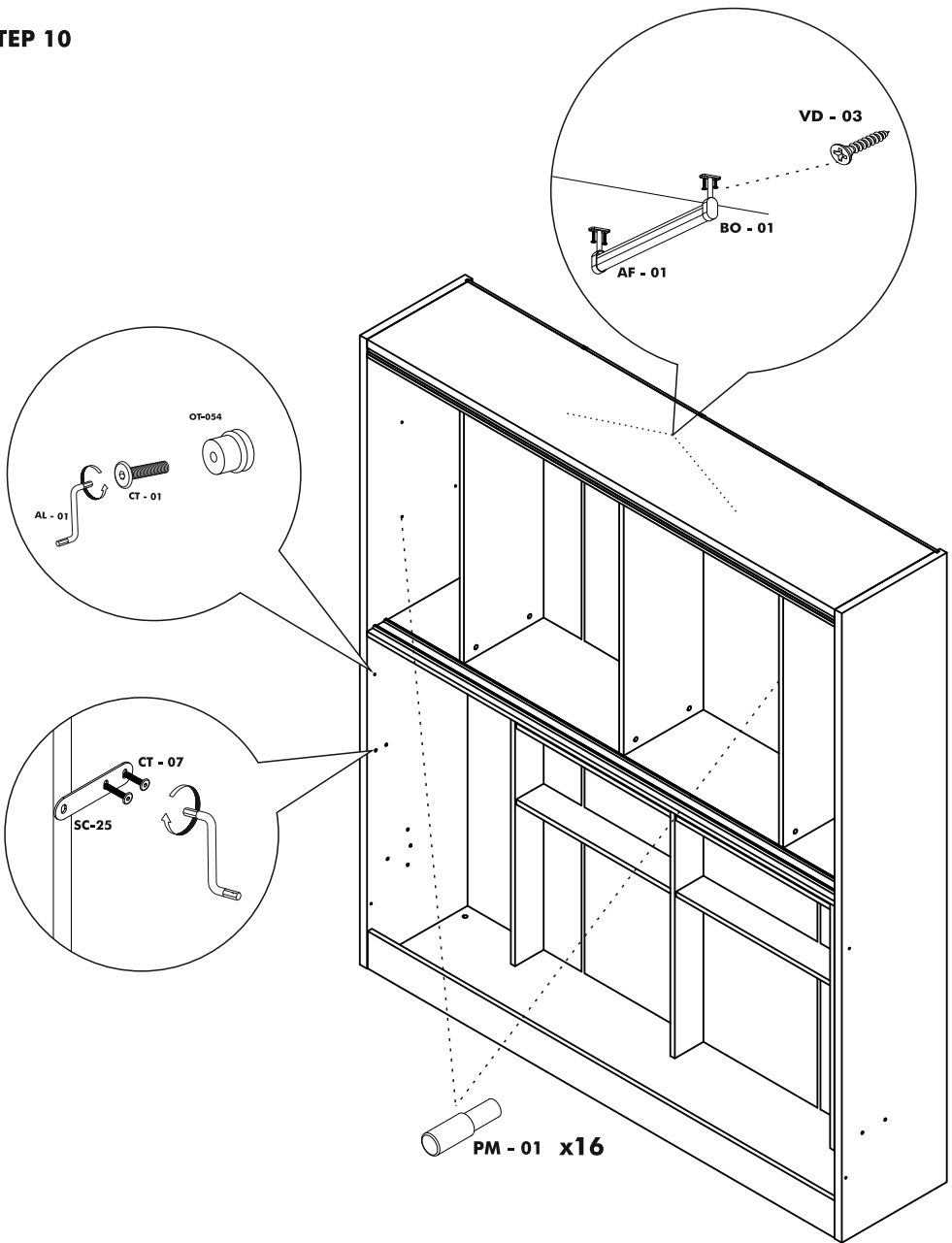
x 24



VD - 02

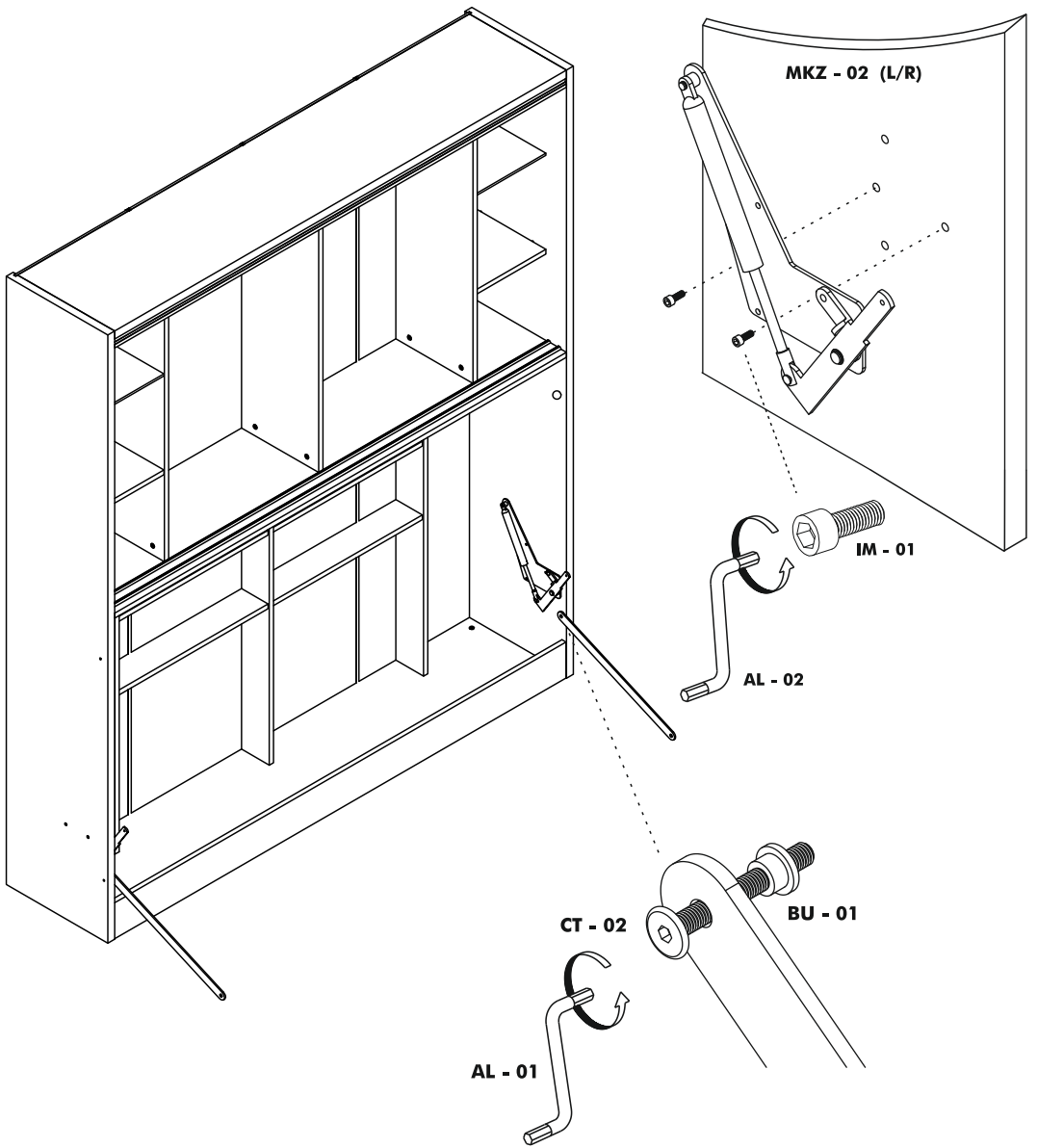


STEP 10



STEP 11

CAUTION
DO NOT UNLOCK BEFORE INSTALL

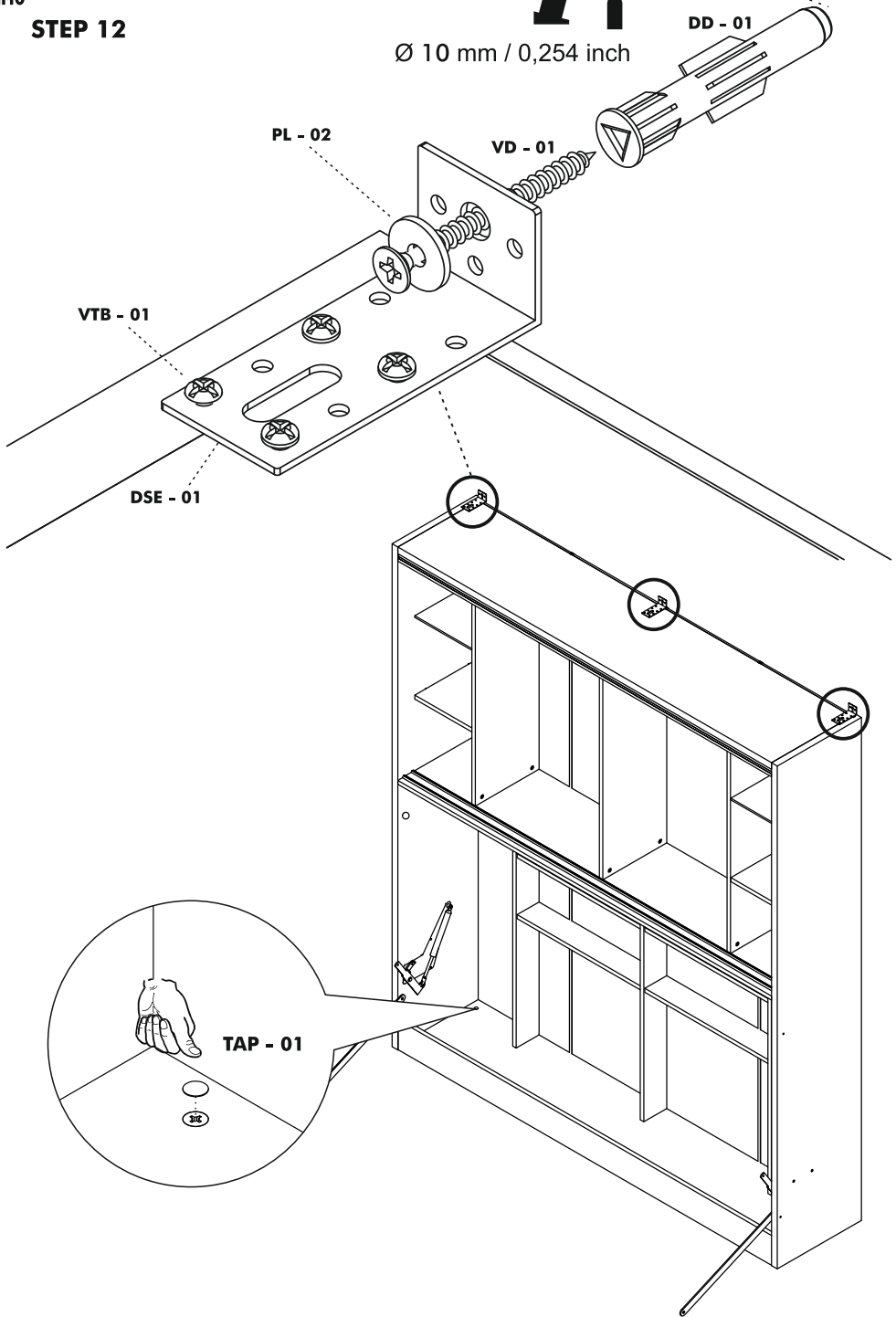


STEP 12



Ø 10 mm / 0,254 inch

DD - 01



PL - 02

VD - 01

VTB - 01

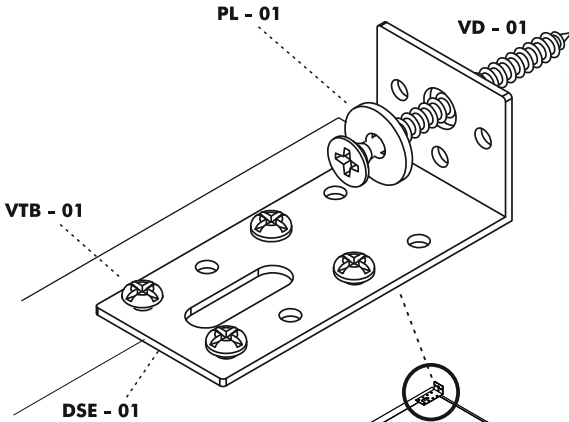
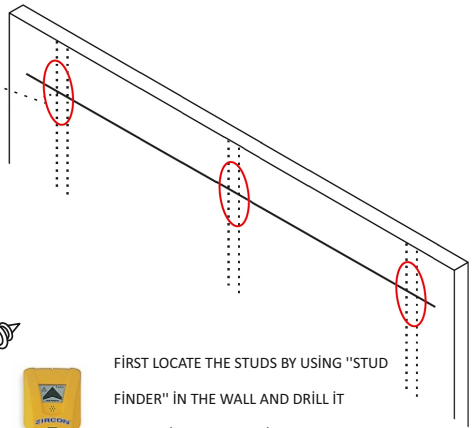
DSE - 01

TAP - 01



STEP 12-2

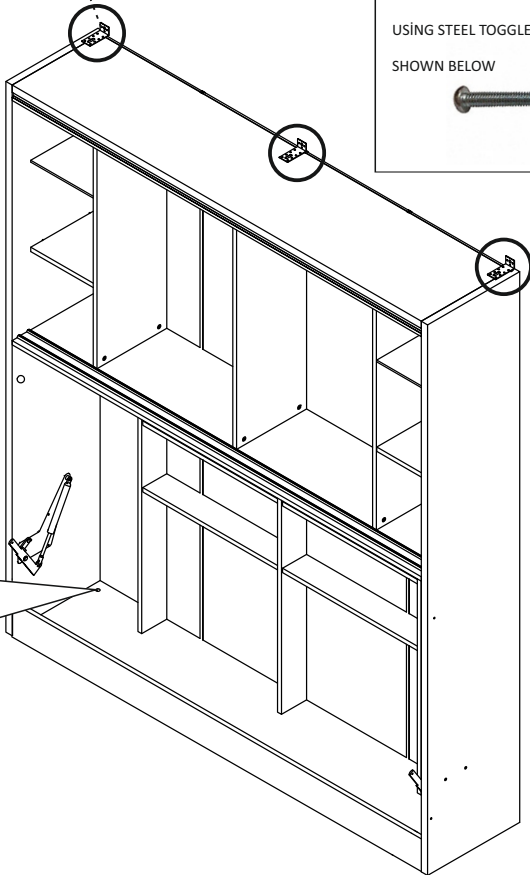
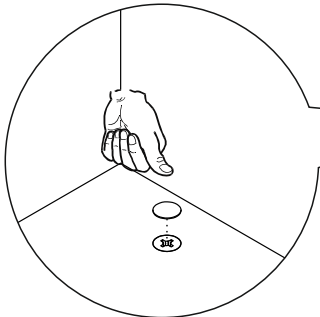
Ø 10 mm / 0,254 inc



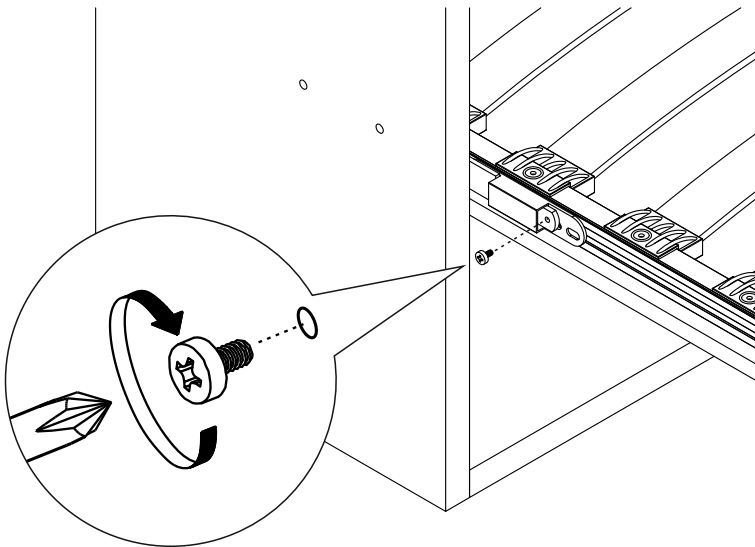
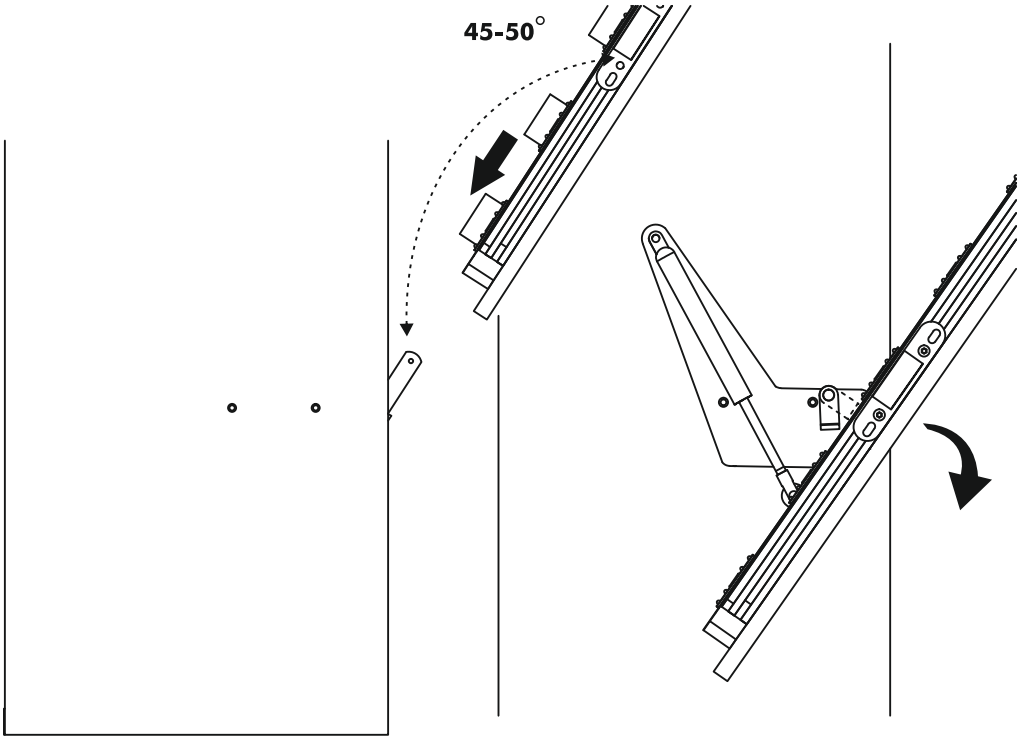
FIRST LOCATE THE STUDS BY USING "STUD FINDER" IN THE WALL AND DRILL IT ACCORDING TO THE HEIGHT MEASUREMENTS GIVEN ON THE SIDE.

UPPER HOLES SHOULD BE DRILLED FOR ATTACHING BED AT NEXT STEP.

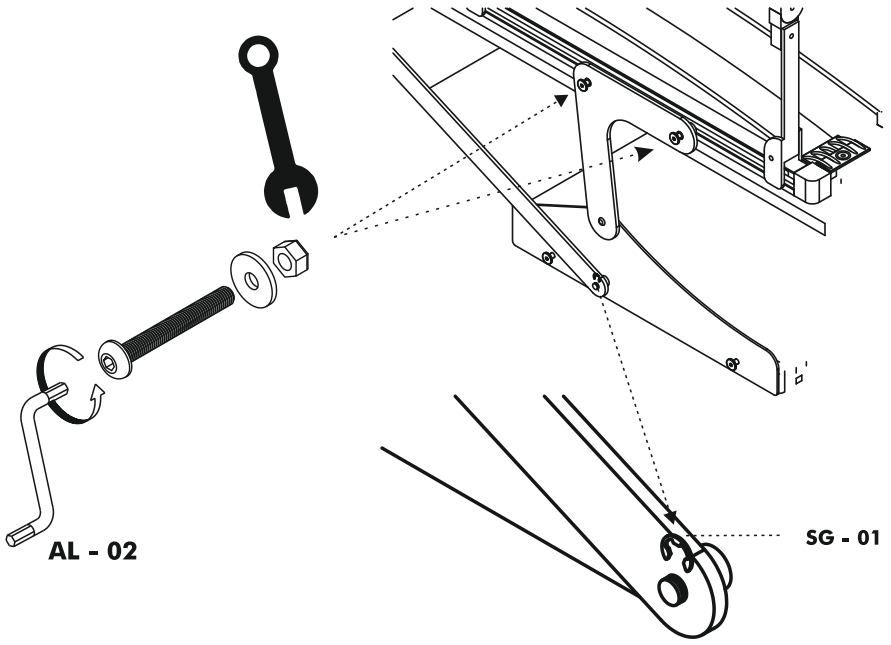
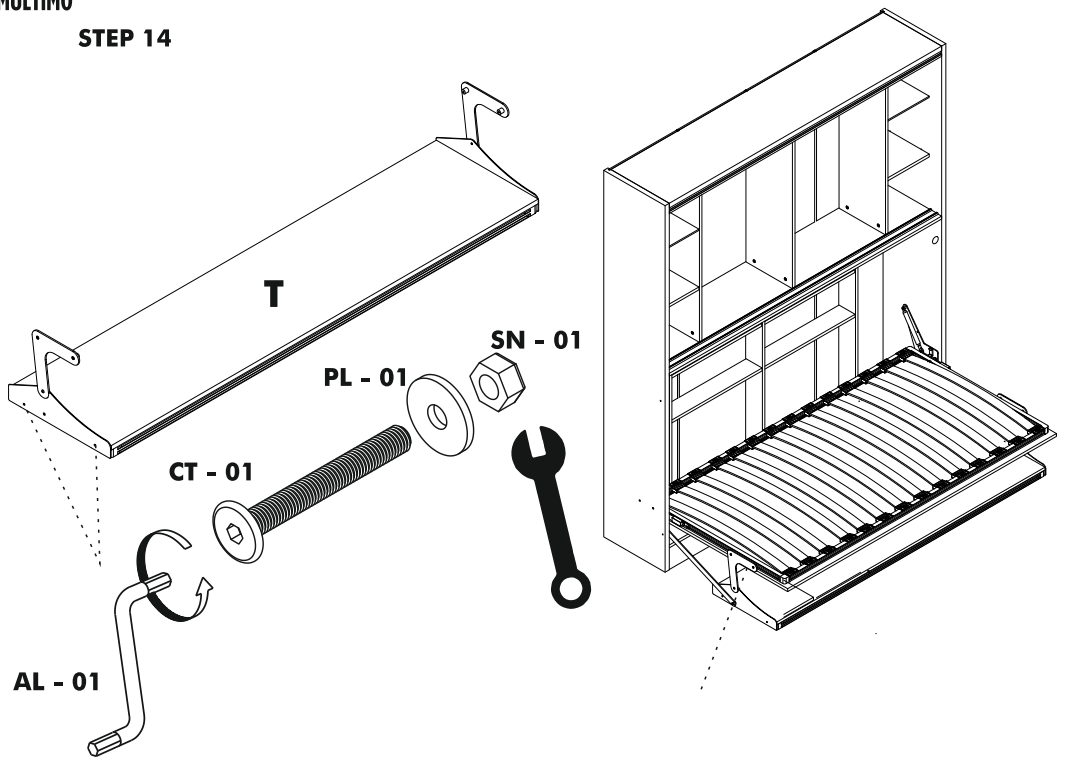
SUPPLY DRYWALL FASTENERS APPROPRIATE TO YOUR WALL TYPE. WE RECOMMEND USING STEEL TOGGLE BOLT ANCHOR THAT SHOWN BELOW



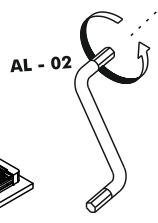
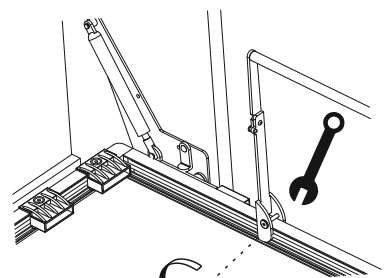
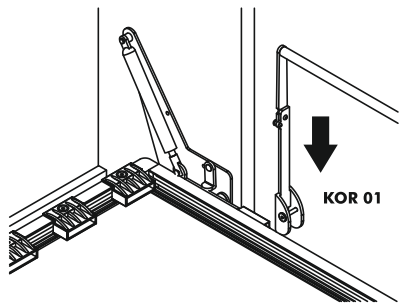
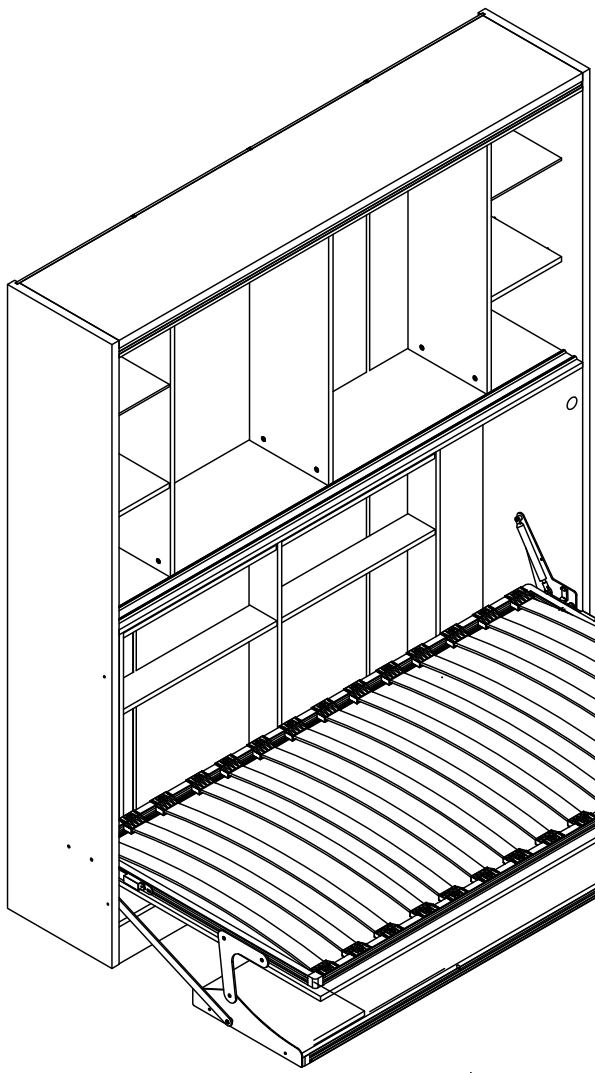
STEP 13



STEP 14

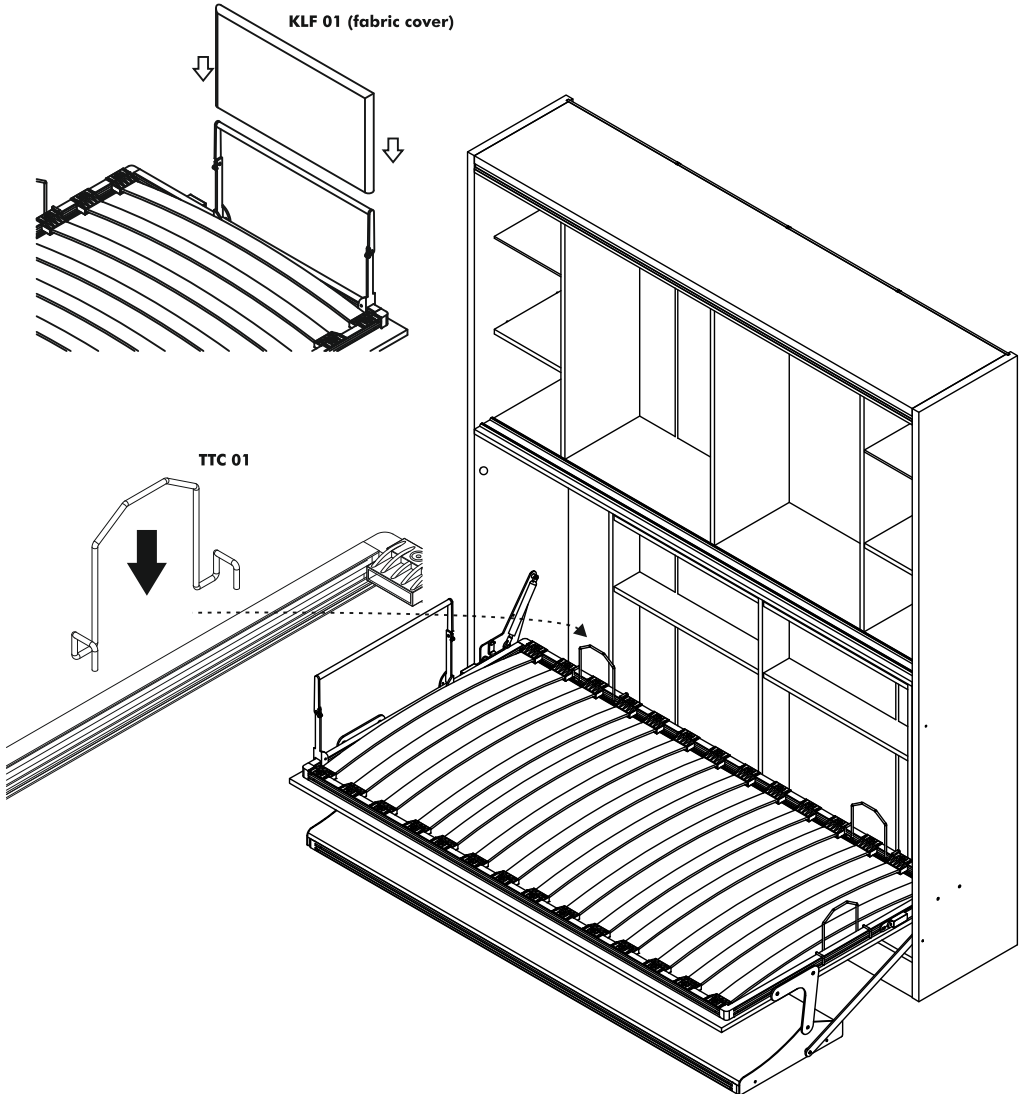


STEP 15

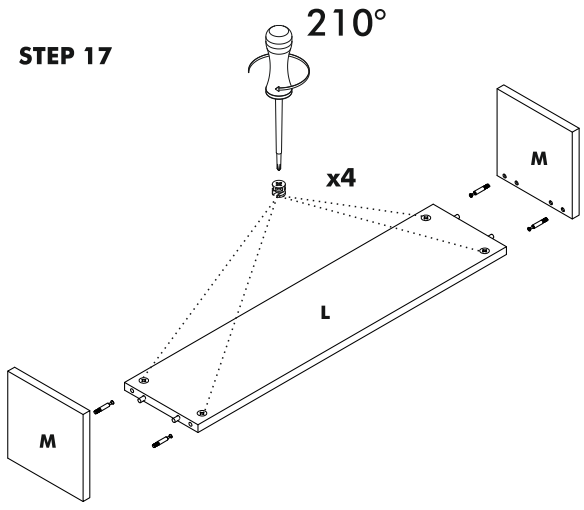


STEP 16

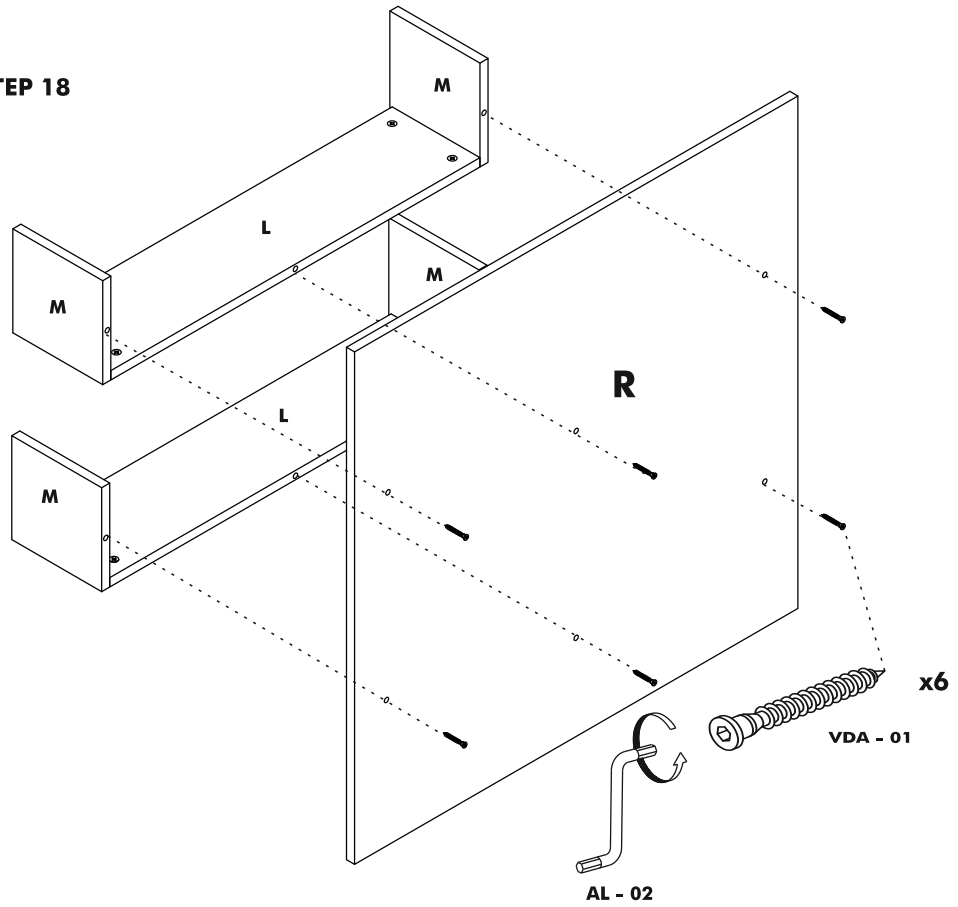
CAUTION !
BE SURE THE HEADBOARD
IS IN CLOSED POSITION
WHEN BED BOX IS CLOSED



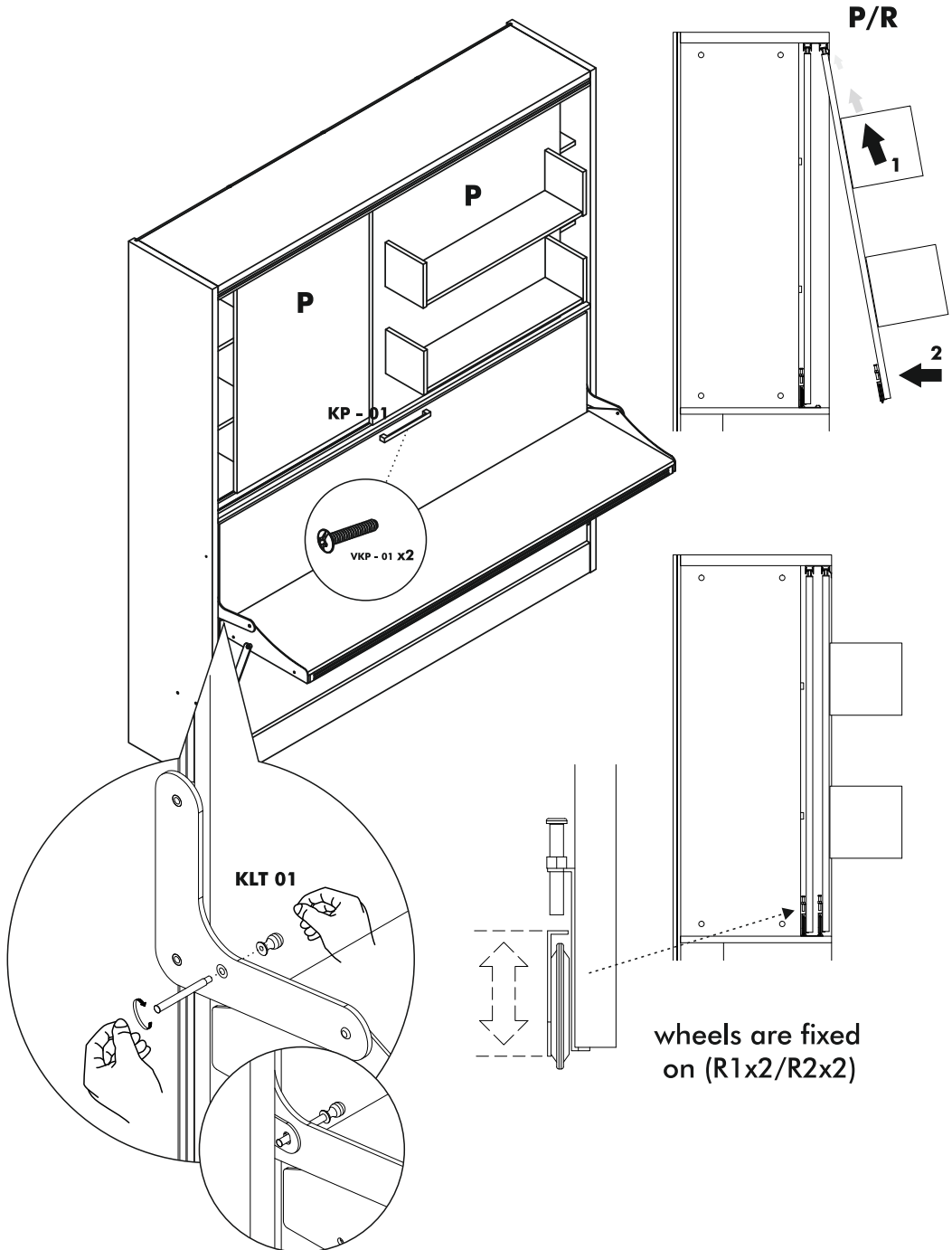
STEP 17



STEP 18



STEP 19



ATTENTION / HOW TO / READ ME / OWNER'S GUIDE

1. When mounting on a regular drywall, furniture must be fastened to wood or metal studs. Solid walls made of brick, concrete or similar strong material are also acceptable. Do not mount furniture to paper-mache or sheetrock like material without properly affixing to stud.
2. For safety and product longevity you must periodically inspect the mounting and mechanical connections for integrity and tightness. Confirm hardware remains properly affixed and connections snug.
3. Wall Bed mattress thickness may not exceed 8 inch. Take care to remove pillows and excess blankets before closing. Doing so keeps mechanism free of obstruction and unnecessary stress.
4. Do not lean or rest heavy objects on side or top of furniture. This may cause balance issues and compromise the integrity of your mounting connections.
5. Please use the furniture's beds, desks and shelving as intended. Not designed to be sat, stood, leaned, jumped (etc) on. Improper use may cause personal injury and damage to property.
6. With seasonal humidity change you must inspect interior and exterior of furniture.
7. Single, Twin, Twin XL beds accommodate the weight of one person. Improperly sleeping more than one person risks injury to person and damage to property.
8. Before any un-mounting or disassembly please contact Multimo for technical support and instruction. Failure to properly detach risks injury to person and damage to property.
9. For Bunk Beds:
 - a. Always use provided ladder when accessing top bunk.
 - b. Be slow, careful and aware of surroundings when opening top bunk.
 - c. Do not horseplay. Beds are to be slept on only.
 - d. Some have legs that fully extend when open- be aware of where the leg is and will be.



www.multimobeds.com