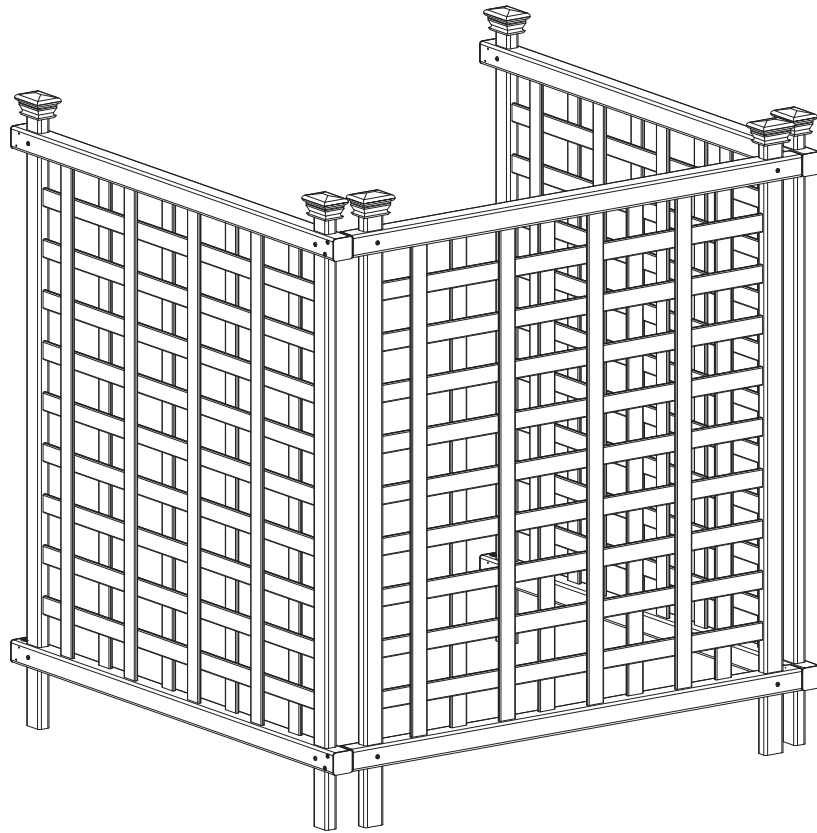




# ASSEMBLY INSTRUCTIONS



## LIBERTY LATTICE AC SCREEN KIT

**45 MIN** approximate assembly  
time for 3 panels



6935 Reames Rd. Ste. K. Charlotte, NC 28216



support@zippity-outdoor.com



704-892-5222 / 877-234-6196



zippity-outdoor.com

# GENERAL INFORMATION



## IMPORTANT

- Please read through before starting assembly.
- Important: Check the inside of the larger pieces in your box for other materials packed inside.
- When assembling components, place on a non-abrasive surface (i.e. shipping box) to avoid scratching.
- We recommend an area approx 5'x 8' for unobstructed assembling.
- You should not need to use excessive force when assembling components.

---

## MISSING OR DAMAGED PARTS?

CALL US FIRST SO WE CAN HELP YOU RIGHT AWAY!

Although great care has been taken to ensure proper packaging and handling of this product, occasionally problems occur. If you discover any missing, damaged or defective parts, please contact our customer service department.



**EMAIL:** [support@zippity-outdoor.com](mailto:support@zippity-outdoor.com)



**PHONE:** 704-892-5222 / 877-234-6196

*Customer service agents are available to take calls weekdays from 8am-5pm EST.*

To help you quickly and accurately, please have reference item number ZP19052 and the specific part name which can be found on the next page. It is helpful if you can provide the batch lot which is a stamped number on the end of the box.

---

## NEED ASSEMBLY HELP?

If you are having problems with the assembly or installation of this product, we are happy to assist you with the process, so please give us a call at 704-892-5222 / 877-234-6196.

---

## NEED TO RETURN?

If for some reason you need to return this product, please allow us to help resolve your issues first. If you still decide to return the product, you will need to initiate the return from the company you originally purchased from.

# STEP 1: LAY OUT MATERIALS

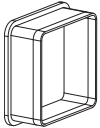
## ▼ LIBERTY LATTICE AC SCREEN KIT 3 PANEL

**A**



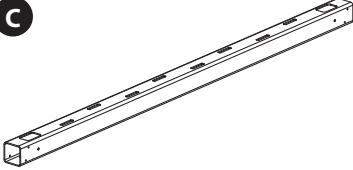
Post Caps (6)

**B**



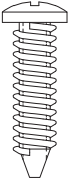
End Caps (12)  
(6 are installed,  
6 are loose)

**C**



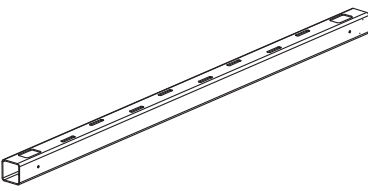
Horizontal Bottom Rail - Side (2)  
1 1/2" x 1 1/2" x 36"

**J**



3/4" Self-Augering  
Stainless Steel Screw (24)  
(for panel assembly)

**D**



Horizontal Bottom Rail - Front (1)  
1 1/2" x 1 1/2" x 36"

**E**




Horizontal Top Rail - Side (2)  
1 1/2" x 1 1/2" x 36"

**F**




Horizontal Top Rail - Front (1)  
1 1/2" x 1 1/2" x 36"

**K**




4" Self-Tapping  
Stainless Steel Screw (8)  
(for connecting panels)

**G**




Posts (6) -  
7/8" x 1 1/2" x 42"

**H**



Horizontal Picket (27) -  
1 1/4" x 1/4" x 33 1/4"  
(marked with sticker  
labeled "1")

**I**

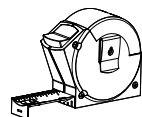


Vertical Picket (24) -  
1 1/4" x 1/4" x 35 3/4"  
(marked with sticker  
labeled "2")

### TOOLS YOU WILL NEED



Cordless Drill

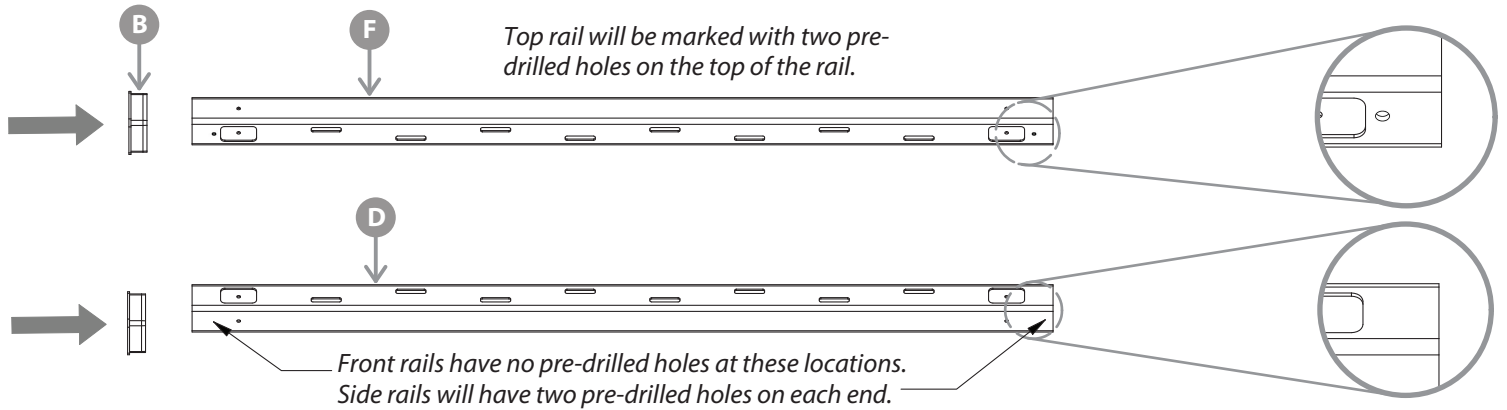


Tape Measure

## STEP 2: ASSEMBLE THE HORIZONTAL PICKETS

### STEP 2.1

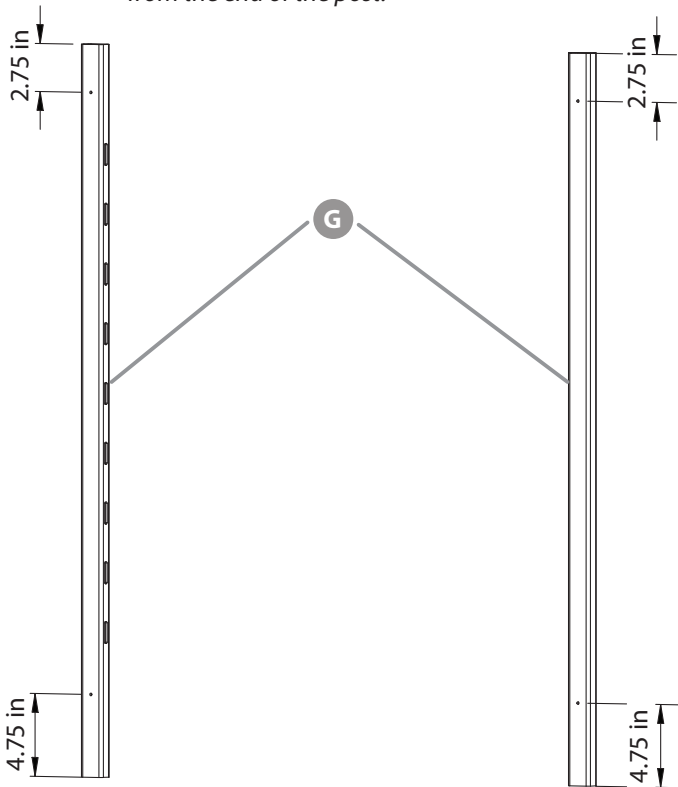
Identify the horizontal top rail - front (F) and the horizontal bottom rail - front (D) as shown below. Pressure fit two loose rail end caps (B) into the ends of each rail. Set these rails aside for now.



### STEP 2.2

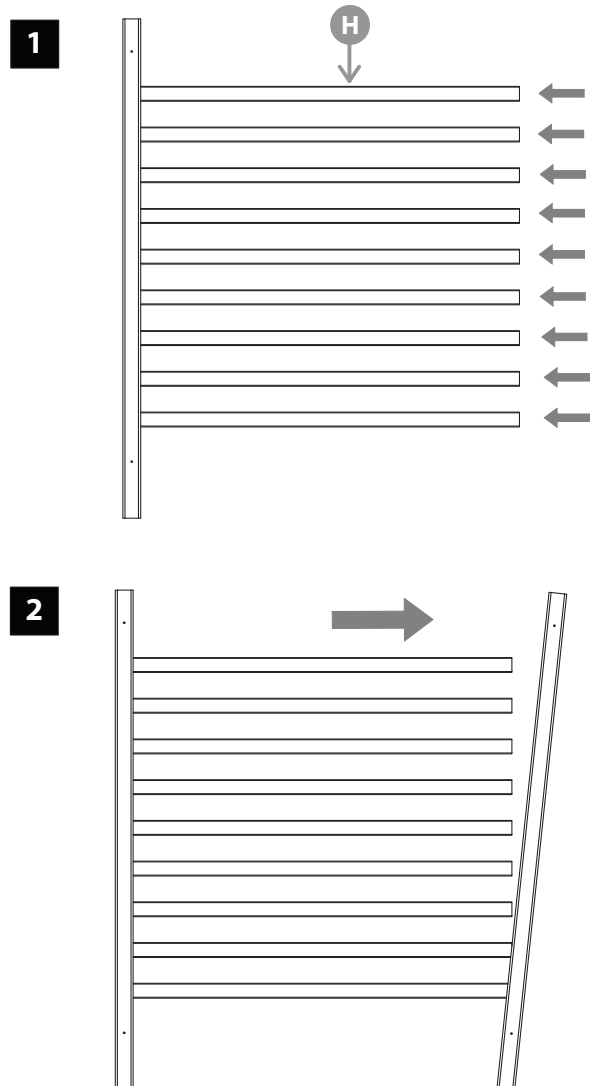
Take two posts (G) and position them so the routed holes face in towards each other as shown.

*NOTE: Identify the top of the screen by finding the side of the post with pre-drilled hole  $2\frac{3}{4}$ " from the end of the post.*



### STEP 2.3

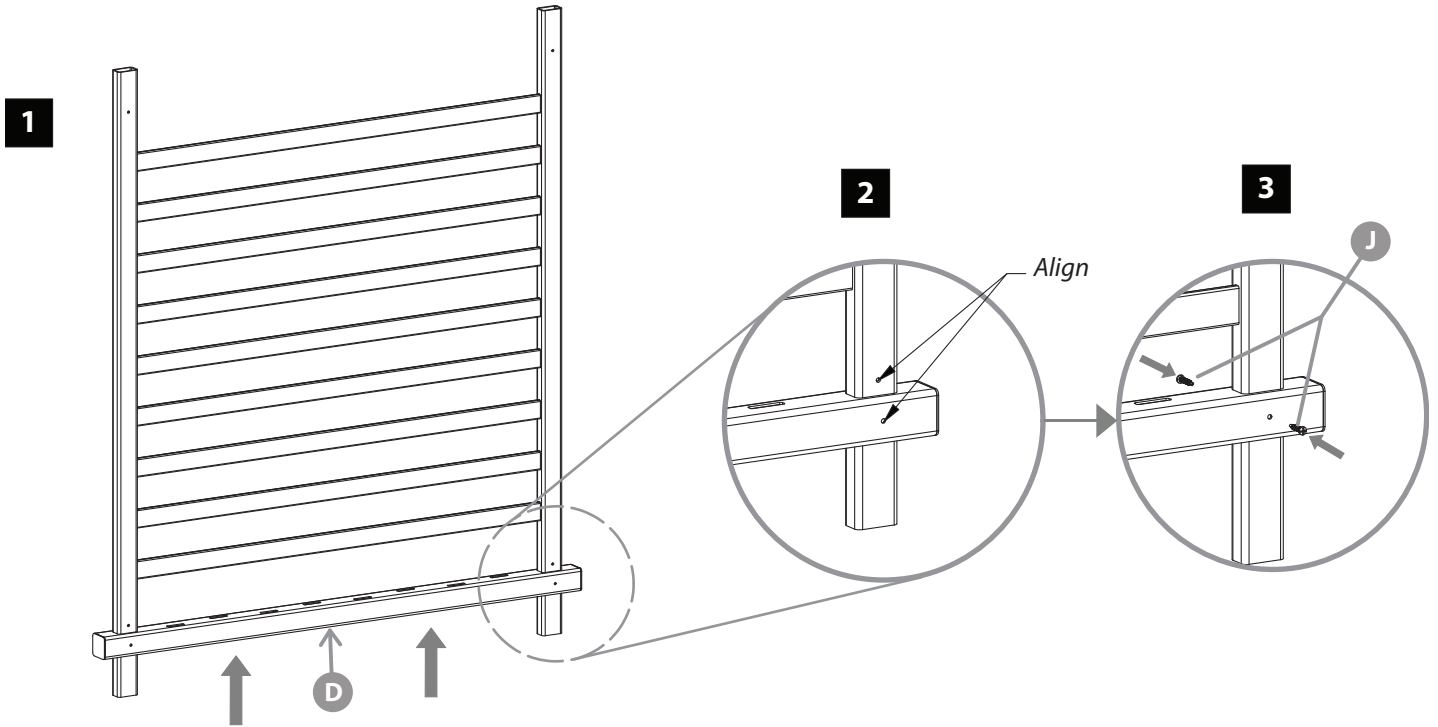
1. Insert nine horizontal pickets (H) into the routed holes in one of the posts.
2. Starting at one end of the opposite post, guide the pickets into the routed holes in the post.



## STEP 3: ATTACH THE VERTICAL PICKETS

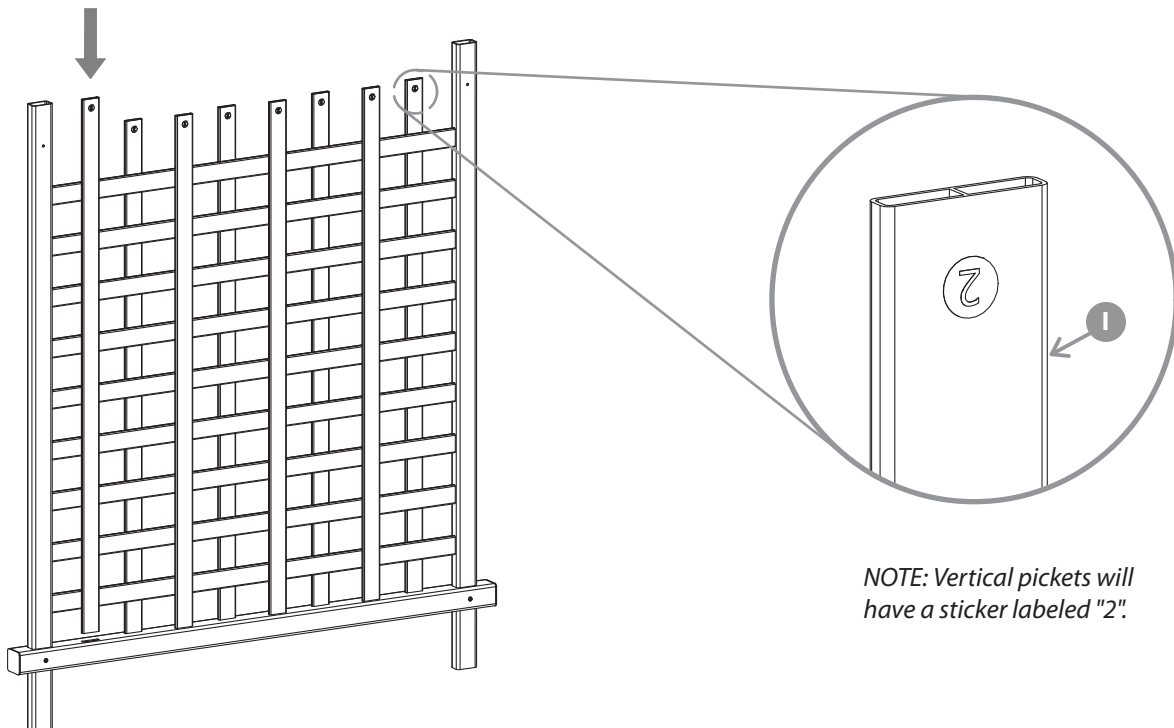
### STEP 3.1

1. Take one of the horizontal bottom rails - front (D) and slide it up over the posts as illustrated. Ensure the routed picket holes in the rail are facing up.
2. Align the pre-drilled holes in the posts and the rail.
3. Drive a  $\frac{3}{4}$ " screw (J) in each of the pre-drilled holes on the front and back of the rail (4 total).



### STEP 3.2

Insert the eight vertical pickets (I) into the routed picket holes in the rail.

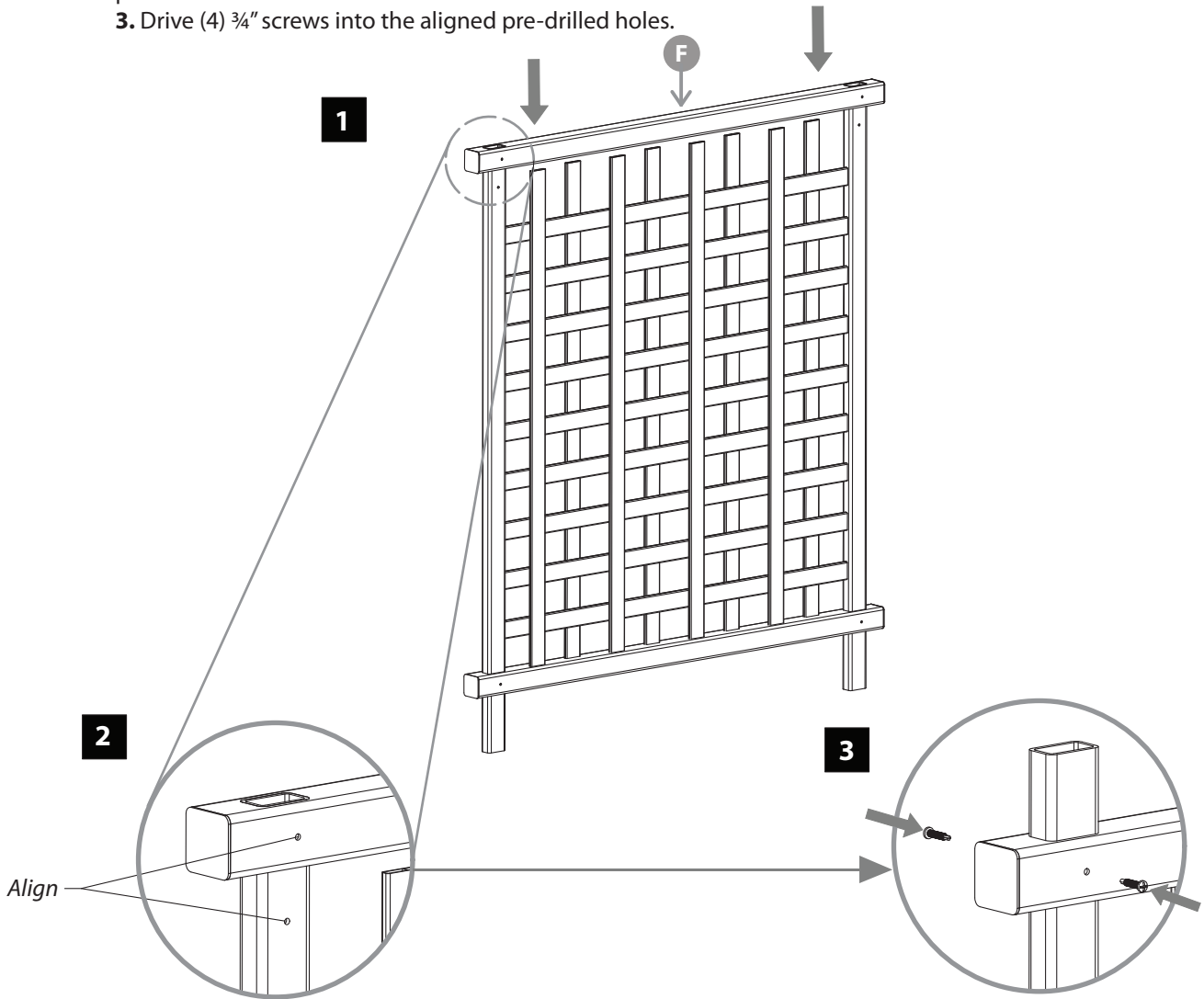


*NOTE: Vertical pickets will have a sticker labeled "2".*

## STEP 4: COMPLETE THE PANELS

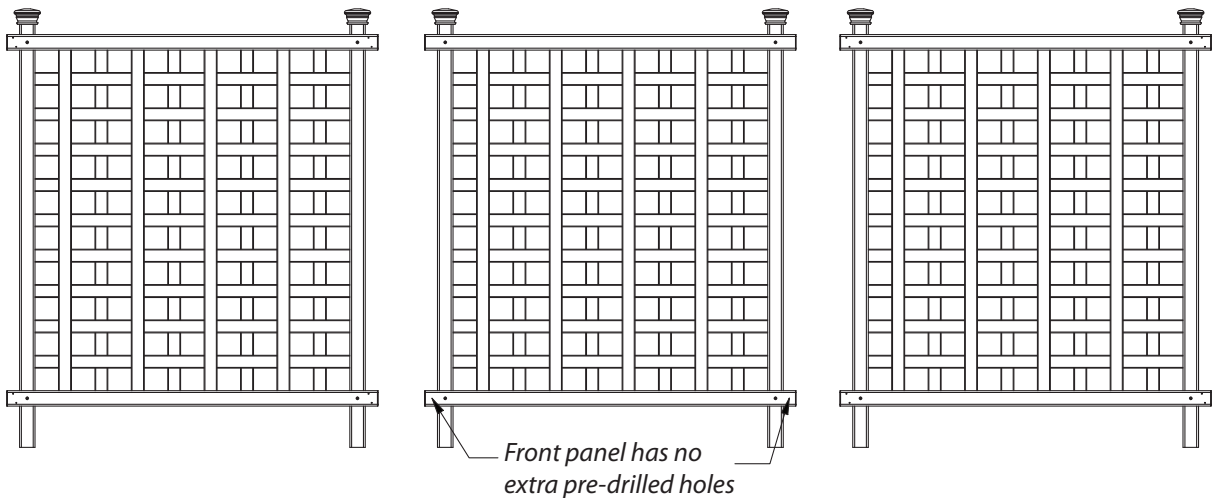
### STEP 4.1

1. Slide the horizontal top rail - front (F) over the posts ensuring the picket holes in the top rail are facing down.
2. Guide the pickets into the top rail and slide it down until the pre-drilled holes in the rail align with the holes in the post.
3. Drive (4)  $\frac{3}{4}$ " screws into the aligned pre-drilled holes.



### STEP 4.2

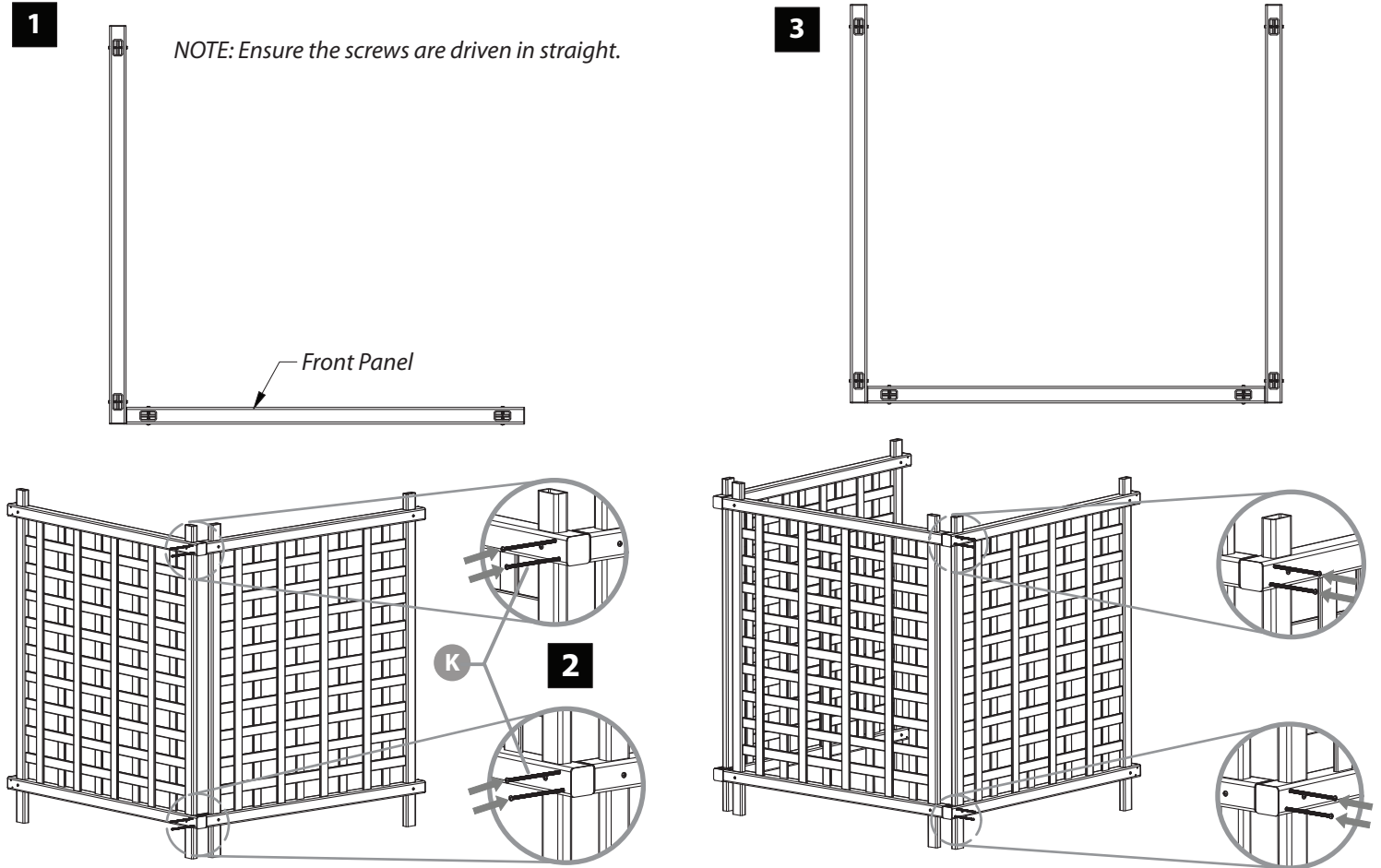
Repeat Steps 2-4 to create the other two screen panels. The other two panels will use side horizontal rails that have extra holes at the ends.



## STEP 5: CONNECT THE PANELS

### STEP 5.1

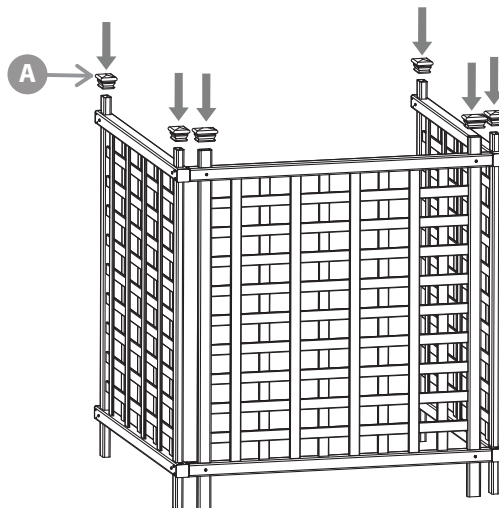
1. Take one of the two assembled side panels and place it at a right angle to the front panel as shown.
2. Drive (4) 4" screws (K) into the pre-drilled holes in the top and bottom rail.
3. Repeat this process on the other side with the third screen as shown below.



## STEP 6: INSERT THE POST CAPS

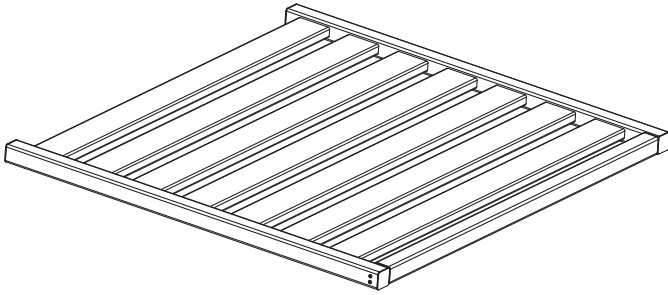
### STEP 6.1

Insert (6) post caps (A) over the top of the posts to complete the screen.



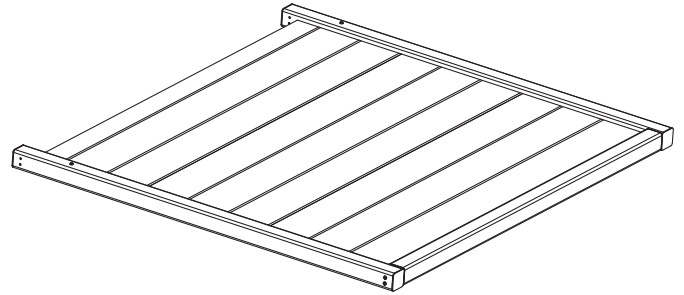
## OPTIONAL STEP 7: PURCHASE ROOF ACCESSORIES

### OPTIONAL TABLETOP KIT FOR LIBERTY LATTICE (ZP19053)

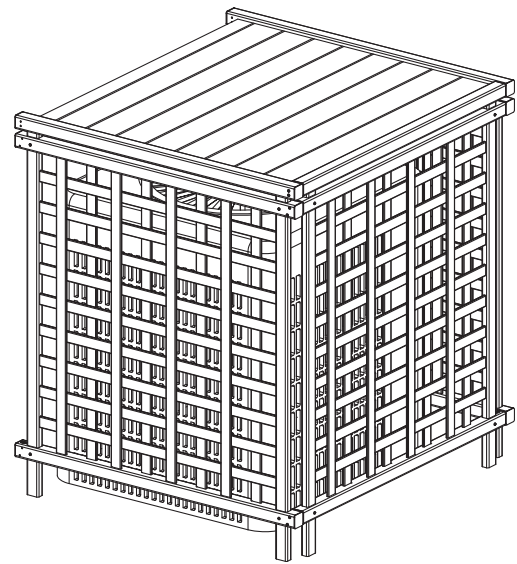
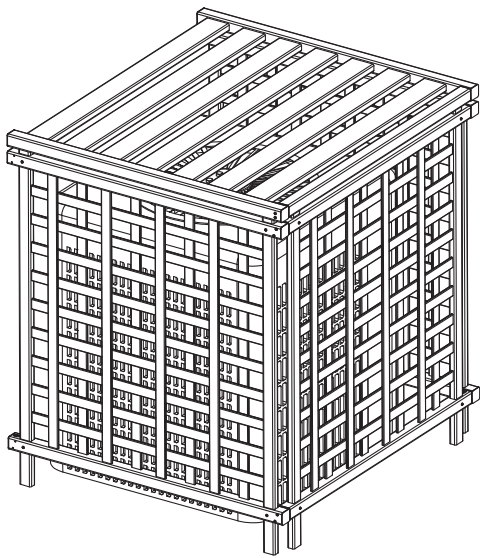


- Provides airflow to allow for year round usage.
- Useful for holding small trays, plants, etc.

### OPTIONAL WINTER COVER KIT FOR LIBERTY LATTICE (ZP19054)



- Only to be used in winter months when condenser is not running.
- Protects your condenser from winter elements.



These products can be found at [www.zippity-outdoor.com](http://www.zippity-outdoor.com).

Follow the instructions included with the optional accessory kits to assemble and install.



6935 Reames Rd. Ste. K. Charlotte, NC 28216



[support@zippity-outdoor.com](mailto:support@zippity-outdoor.com)



704-892-5222 / 877-234-6196



[zippity-outdoor.com](http://zippity-outdoor.com)