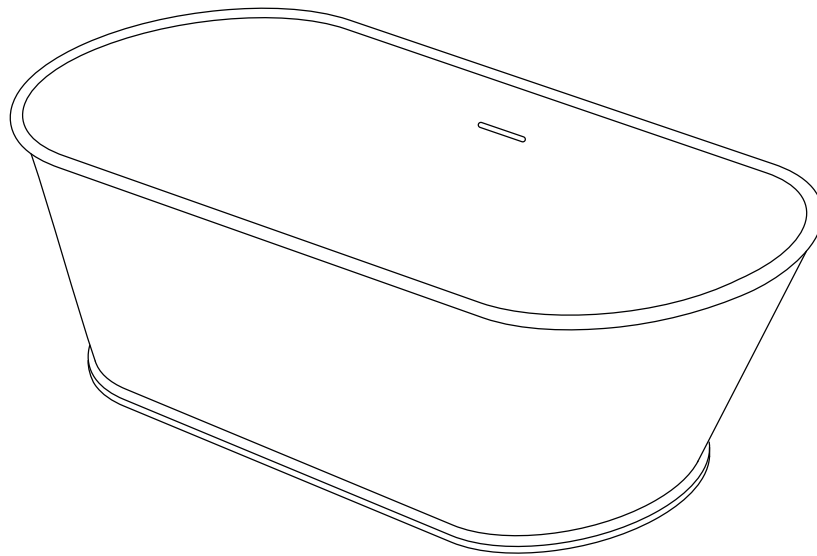


ACRYLIC FREESTANDING BATHTUB

OWNER'S MANUAL & INSTALLATION GUIDE



READ ENTIRE INSTALLATION GUIDE PRIOR TO INSTALLING THE BATHTUB

This bathtub should only be installed by a certified plumber
Two people are required to lift the bathtub

For installation and assembly videos, please visit our website
www.streamlinebath.com

OR

our YouTube page by searching for
"Streamline Bath"

OR

following the below link to our channel:

<https://www.youtube.com/channel/UCII7TGMbkwoGSqzo-pGfaJw>

CAUTION!



**TWO PERSON
LIFT REQUIRED**

TABLE OF CONTENTS

1.	Prior To Installation	3
2.	Required Tools	5
3.	What's In The Box	6
4.	Drain Diagram	7
5.	Installation Instructions	8
6.	Warranty	18
7.	Use & Care Guide	20

1. Prior To Installation

To Our Valued Customers,

We wanted to take a moment to express our sincere gratitude for choosing our bathtub for your bathroom. Your recent purchase is greatly appreciated, and we are delighted to have you as our valued customer.

At Streamline, we strive to provide the highest quality products, and we are confident that our bathtub will exceed your expectations in terms of both functionality and style. We have put in great effort to ensure that our bathtub enhances your bathing experience while adding an elegant touch to your bathroom.

We would like to assure you that our dedicated team is always here to assist you with any questions or concerns you may have regarding the installation or maintenance of your new bathtub. Your satisfaction is our top priority, and we are committed to delivering excellent customer service throughout your journey with us.

Once again, we genuinely appreciate your trust in our brand and your decision to choose our bathtub. We hope it brings you years of enjoyment and satisfaction. If there is anything we can do to further assist you, please do not hesitate to reach out to us.

Thank you for being a valued customer.

Warm regards,

The Streamline Team

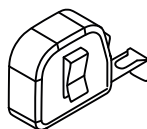
- These products must **ONLY** be installed by a fully insured and licensed plumber.
- Installation of the product by anyone other than a fully insured and licensed plumber shall **void** the limited warranty.
- Make sure to check the entire bathtub for any concealed damage before installation. If there is damage, **DO NOT INSTALL THE PRODUCT!** Contact Streamline customer service immediately. Streamline does not assume responsibility for damage that occurs during transit. The warranty does not cover damage or defects that could have been identified before installation and were not reported until after installation has been completed.
- Building and plumbing codes may vary from state to state.
- Streamline is **not responsible** for any local code compliance for this product.
- The floor under the bathtub must support the combined weight of the tub, water, and user.
- Streamline shall **not** be held liable for any and all incidental damages or floods caused due to the use of this product.
- Measurements may deviate by $\pm\frac{1}{4}$ " from the original specifications.
- Please be advised that the warranty does **not** cover product failures resulting from improper installation.
- Please note that any damage, including chips and scratches, that occurs at the job site is excluded from the warranty coverage.
- Properly installing waste and overflow components is the sole **responsibility** of the installer. Streamline does **not** provide warranty coverage for leaks associated with improper waste and overflow installation.
- Streamline is **not** liable for defects or issues that arise or could have been prevented by inspecting and testing all plumbing connections for leaks before completing the installation.
- Streamline shall **not** be held liable for any and all fees stemming from the cost of installation, re-installation, removal, subsequent damage, or transportation in the case of a product defect. Streamline shall **not** be held responsible for defects or damage that could have been discovered, repaired, or avoided by inspection and testing before installation. The tub **must** be checked upon delivery.
- Before finalizing installation, **ensure** all plumbing connections are tested, checked for leaks, and undergo an overflow water test. Streamline will **not** be held responsible for defects or issues that arise from neglecting this crucial step.

- Please **refrain** from overfilling the bathtub. Filling it **beyond** $\frac{2}{3}$ capacity can result in overflow and create slippery conditions when entering the tub.
- **Ensure** that the floor is level and in good condition. An uneven surface may hinder the tub's correct installation.
- **Clear** any debris or trash from the installation area.

2. Required Tools



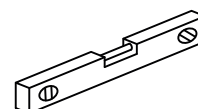
Silicone



Measuring Tape



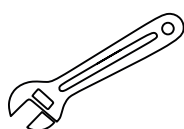
Pencil



Level Bar



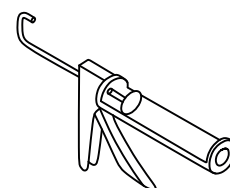
Soft Cloth or
Blanket



Adjustable Key

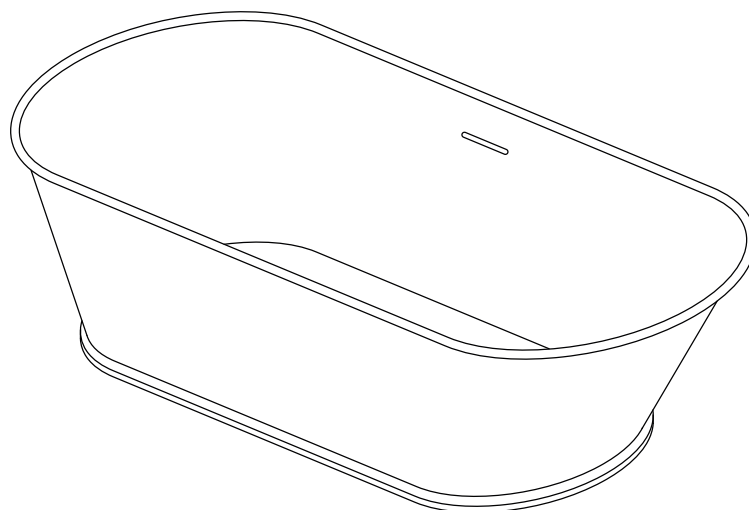


Safety Glasses

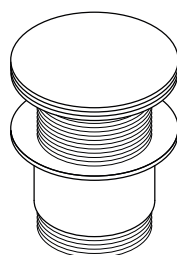


Caulk Gun

3. What's In The Box

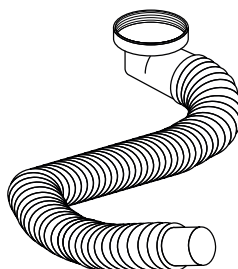


Bathtub



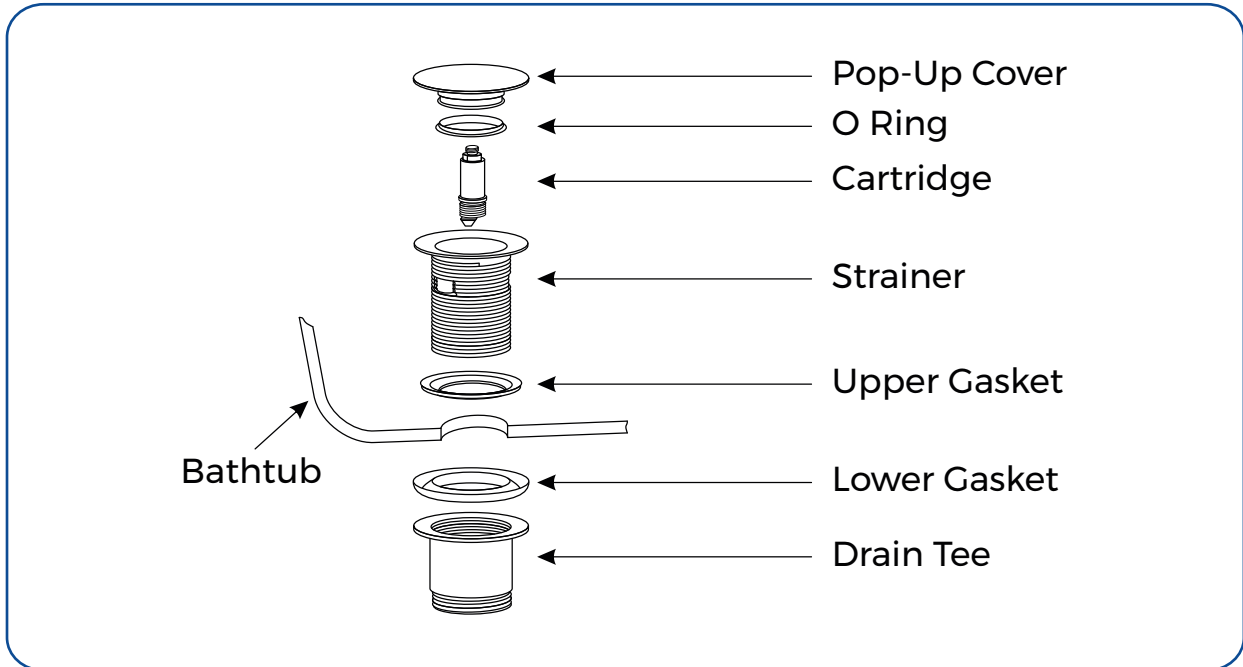
Drain

Drain comes included in a separate box
No overflow cover by design

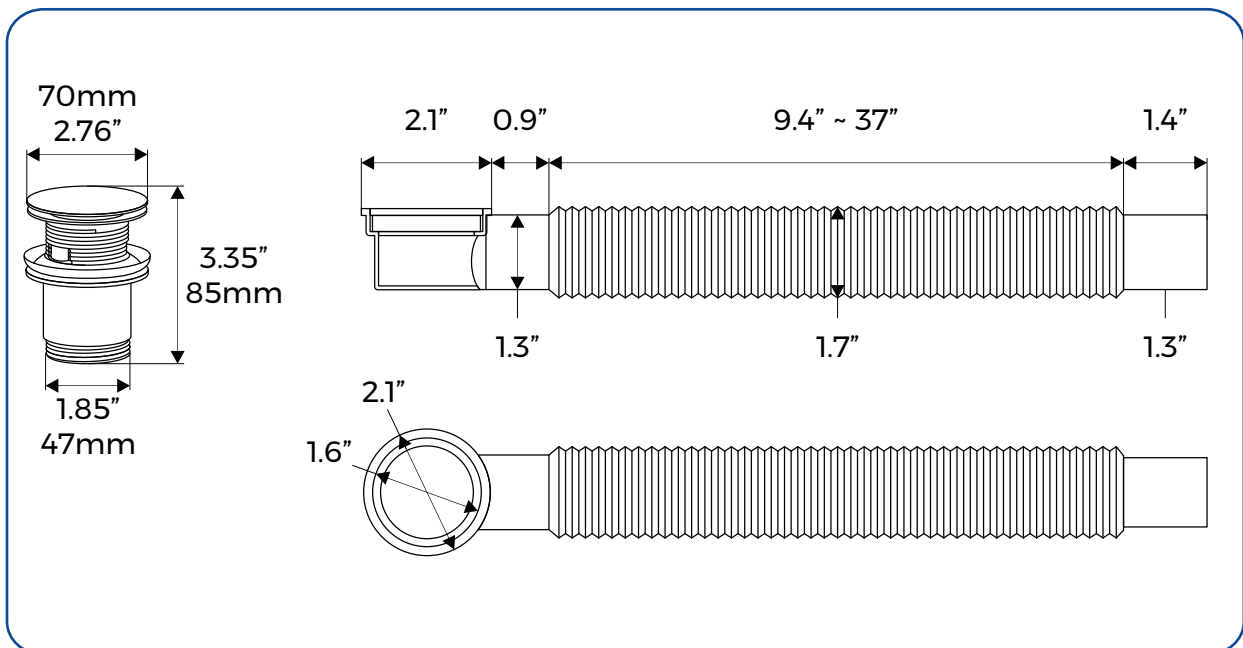


Complimentary Flexible Hose
Included with **ALL** bathtub models

4. Drain Diagram

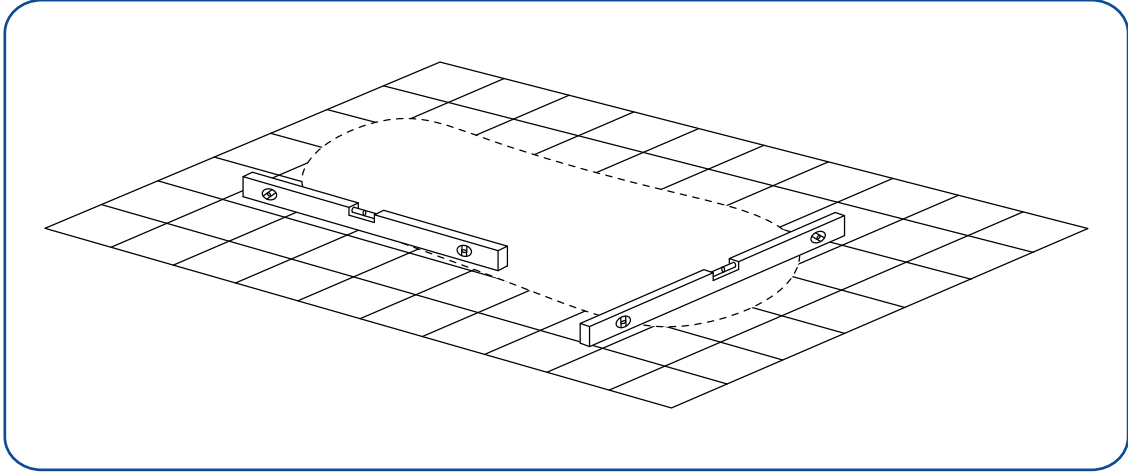


Drain & Flexible Hose Specification Drawings

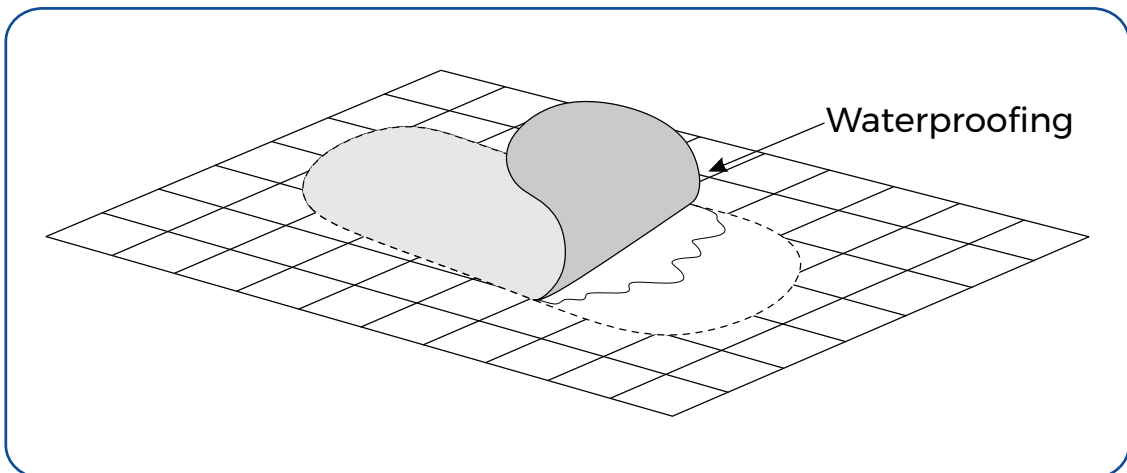


5. Installation Instructions

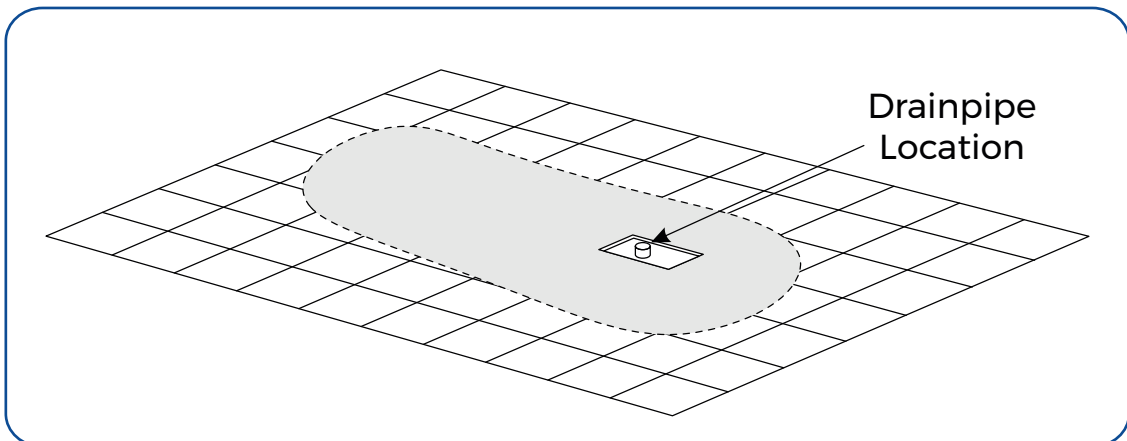
1. Ensure that the floor at the installation site has sufficient floor support and is level.



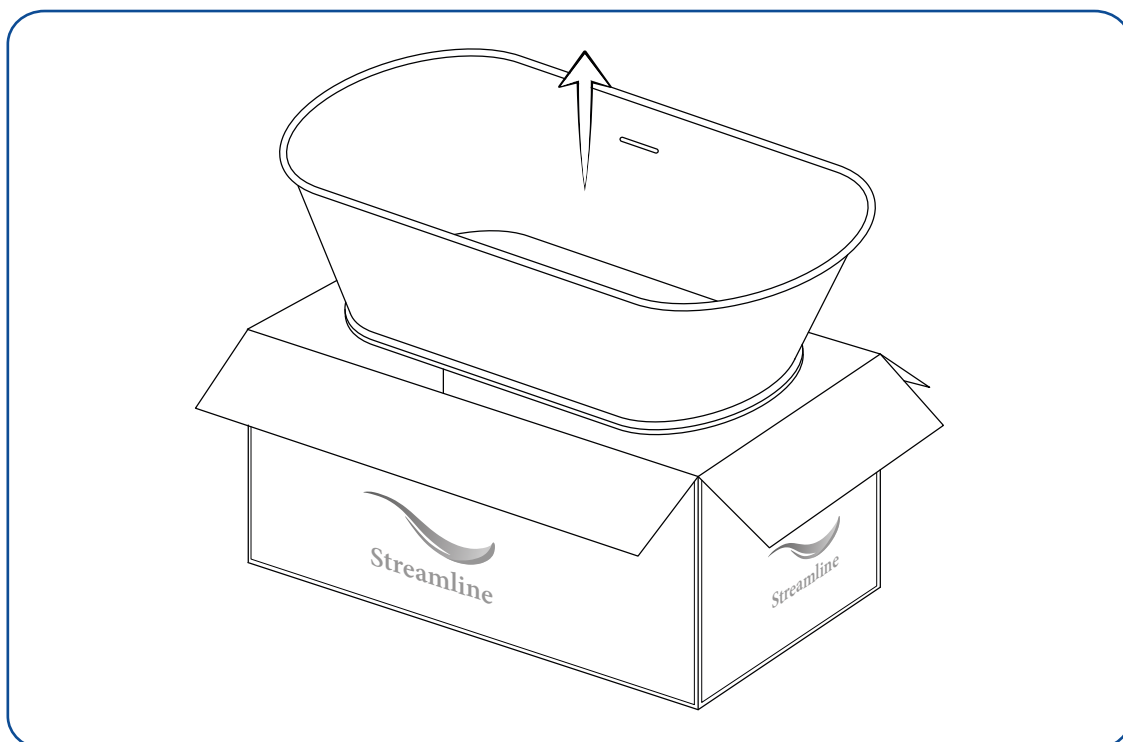
2. Waterproofing the floor is highly recommended.



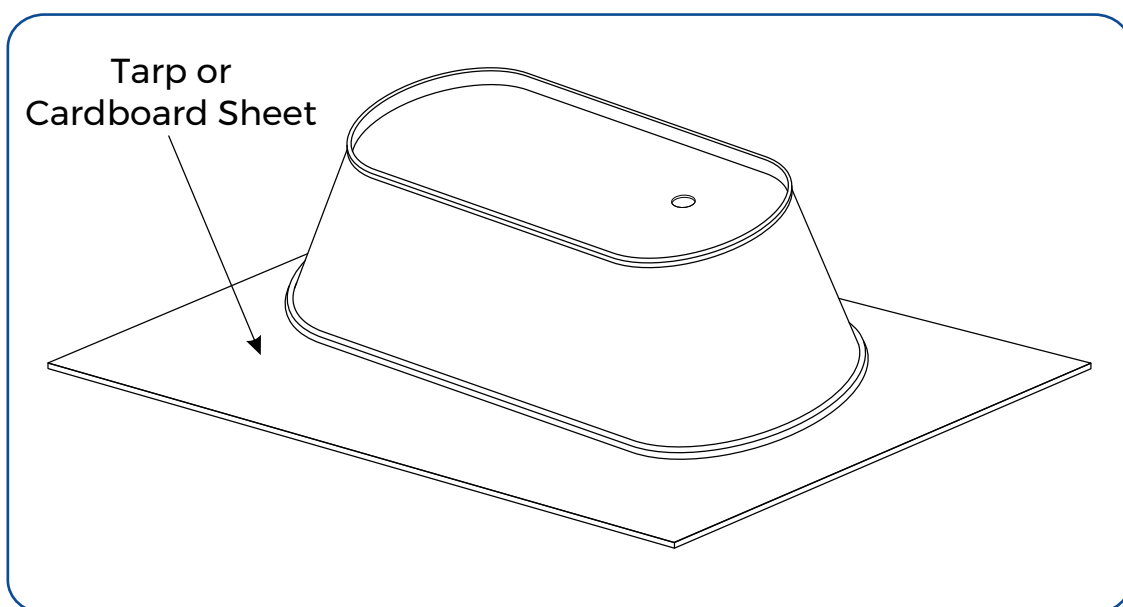
3. Identify the drainpipe's location on the floor by measuring the drain and waste positions beneath the unit. Clean the drain hole area in preparation for installing the drain, ensuring the area is dry and free from any debris.



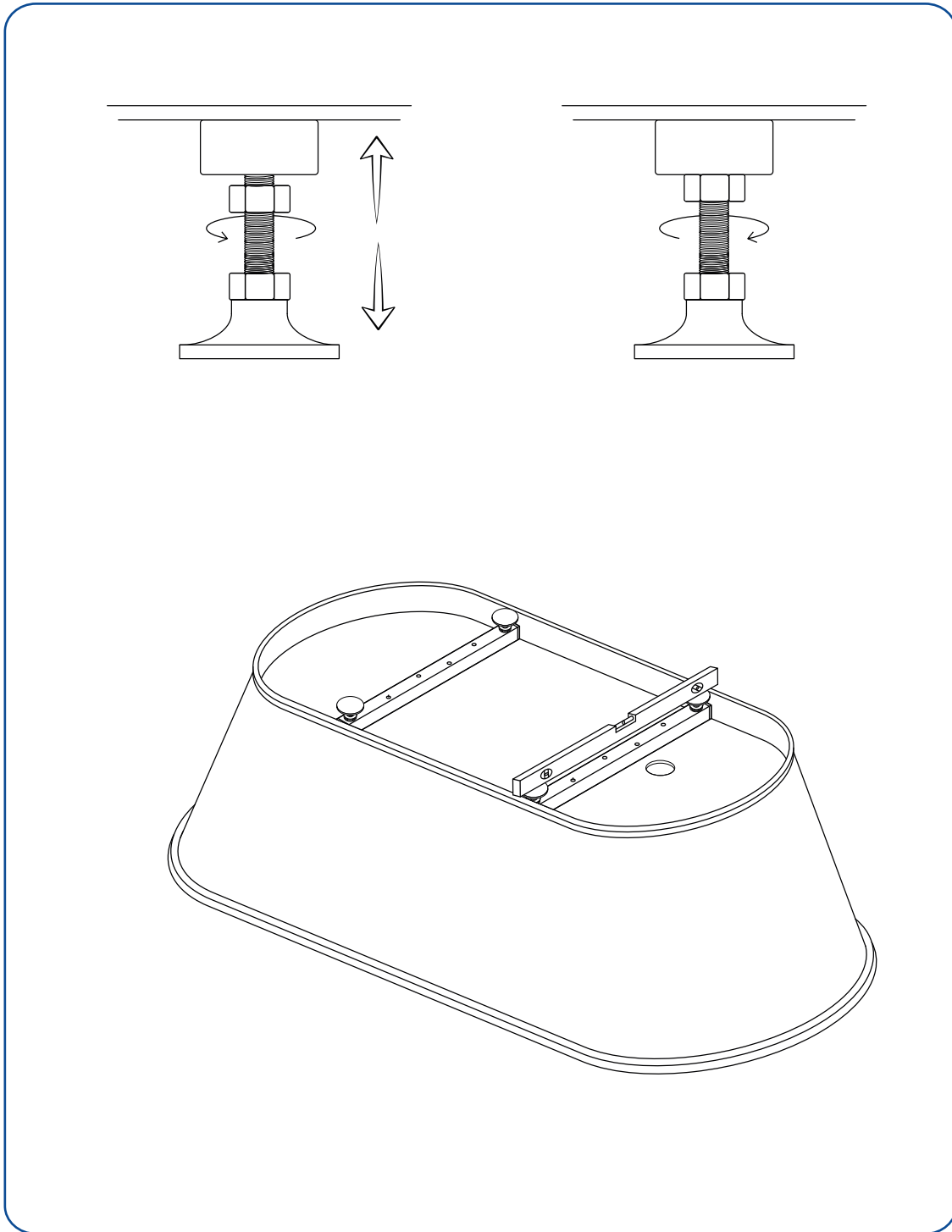
4. Remove the bathtub from its box. It is recommended that the bathtub is carried by a minimum of two people. Make sure to carry and set down the bathtub only in the upside-down position.



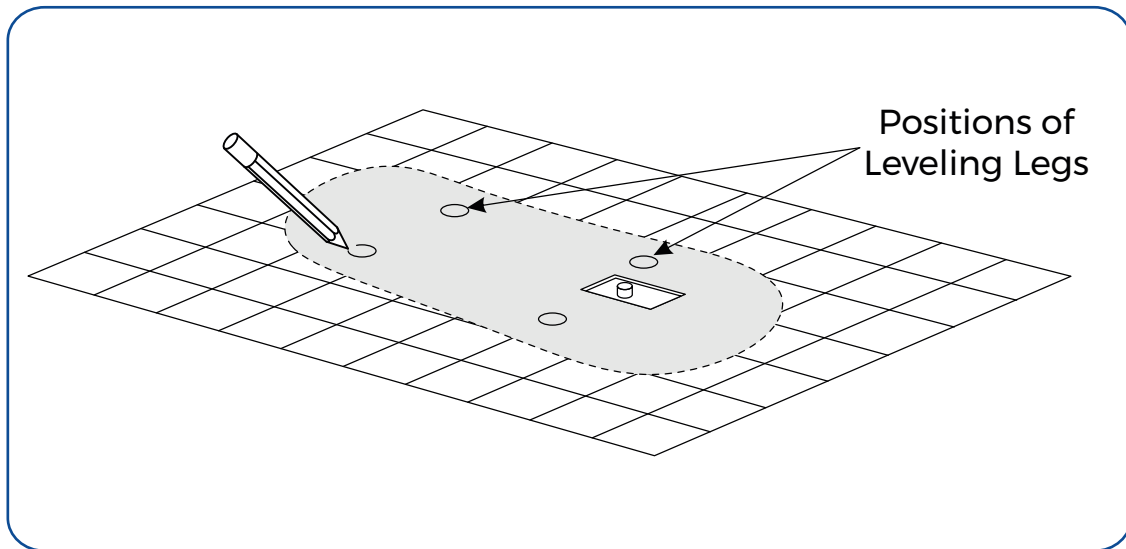
5. Gently place the bathtub in the upside-down position on a tarp or cardboard sheet in order to avoid contact with any rough surface.



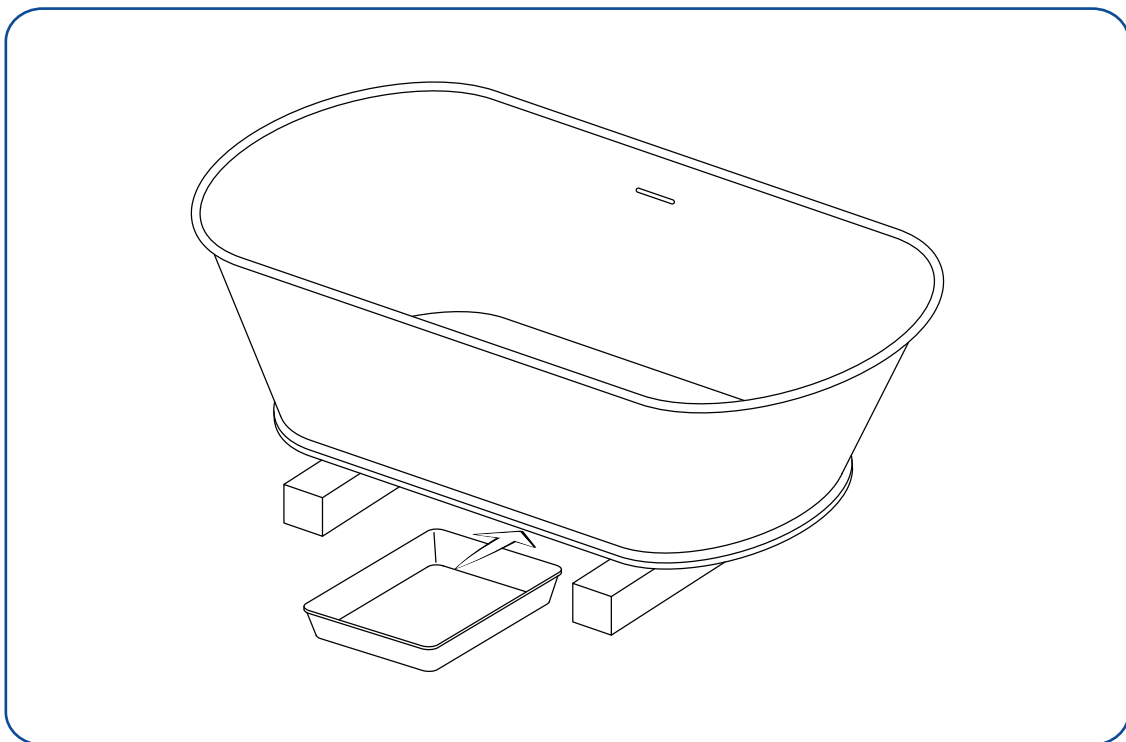
6. Loosen the nuts and washers from the metal frame. Adjust the leveling feet to align them with both the bathtub's bottom and the floor. Once aligned securely tighten the washers and nuts. Ensure that the bathtub base is elevated approximately $\frac{3}{32}$ inches (3mm) above the floor, allowing it to rest on its leveling feet.



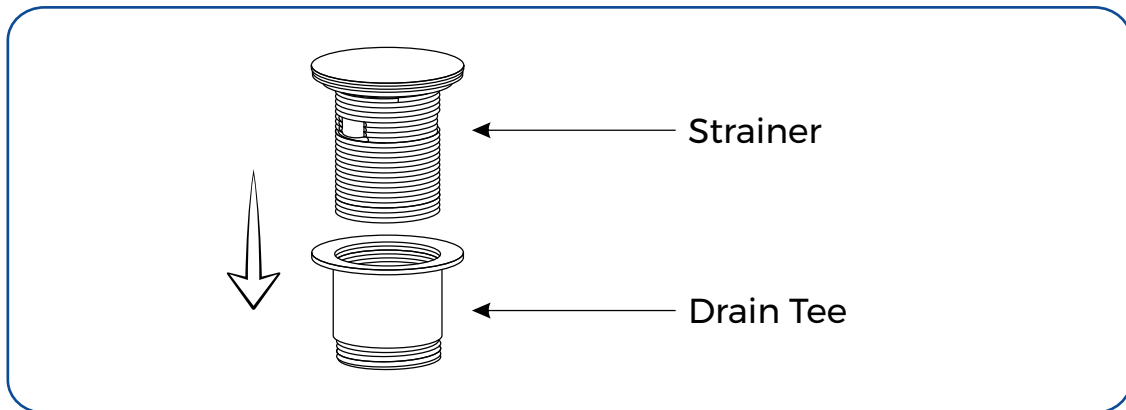
7. Be sure to mark all the positions of the leveling legs on the floor using a pencil. Then, move the bathtub into the desired location near the drainpipe.



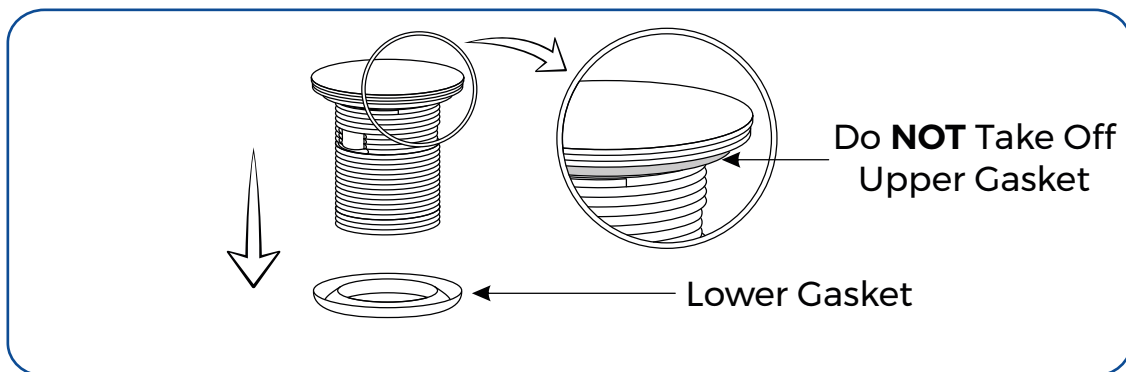
8. Place your bathtub on two 4"x4" lumber pieces to allow access underneath for monitoring leaks. Position a tray beneath the bathtub to catch any potential water.



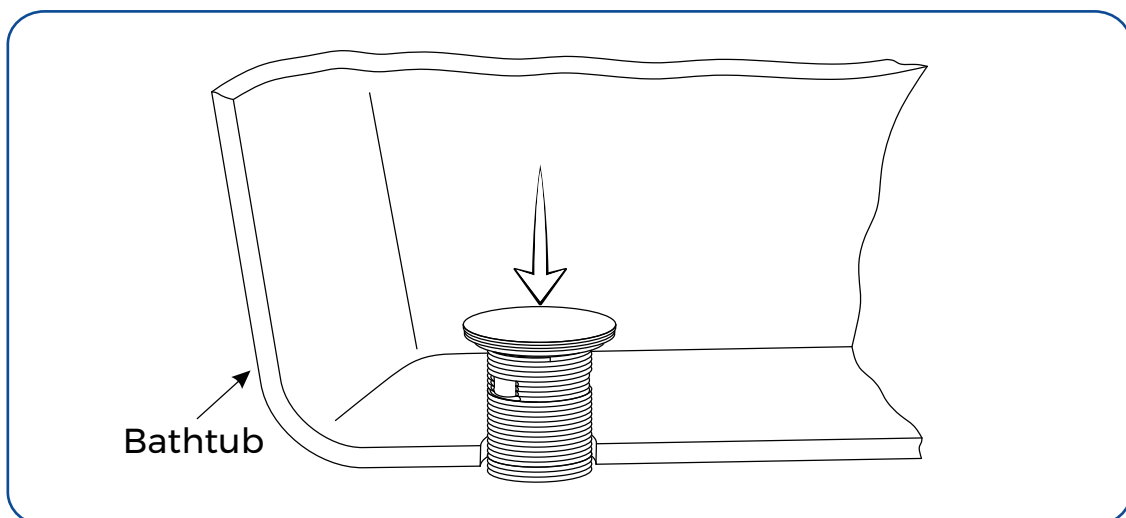
9. Remove the strainer by unscrewing it from the drain tee, which is included in a separate box with your purchase.



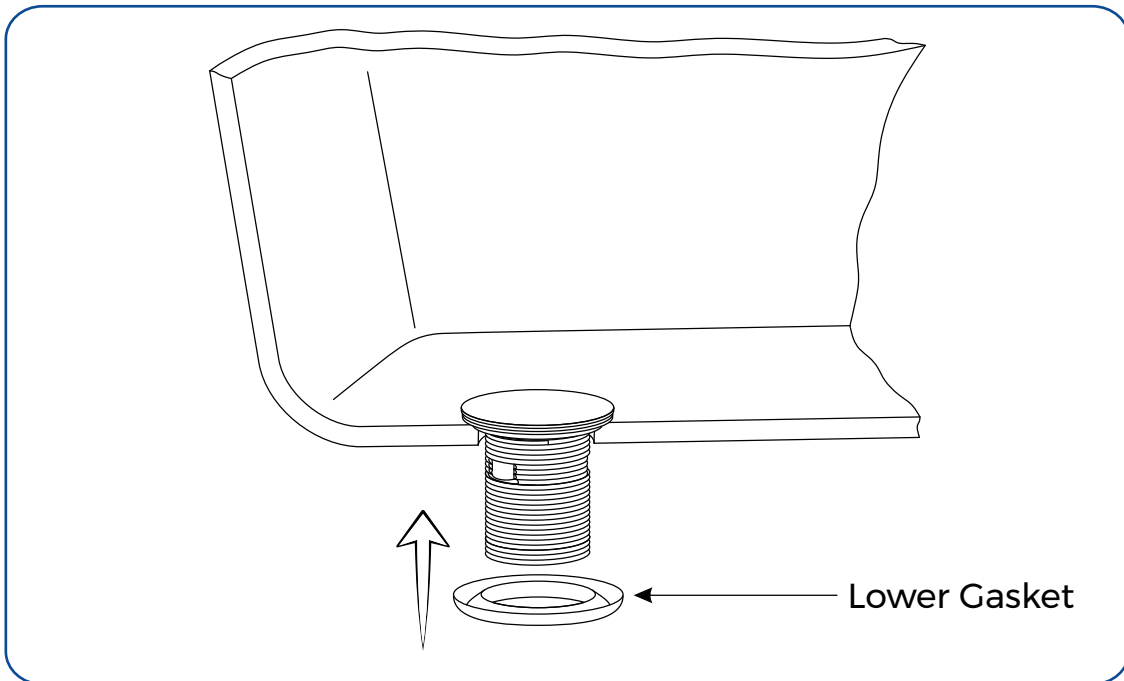
10. Take off the larger, lower rubber gasket. **DO NOT TAKE OFF THE SMALLER, UPPER GASKET.**



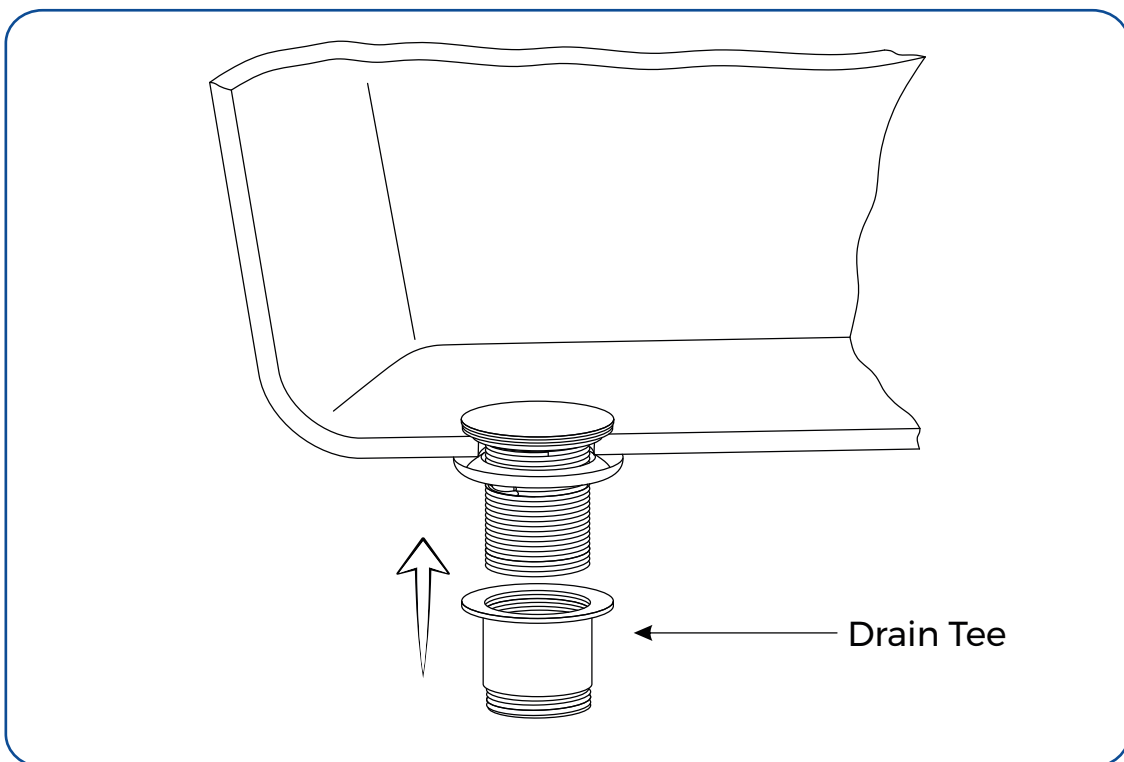
11. Place the strainer through the hole in the interior of the bathtub.



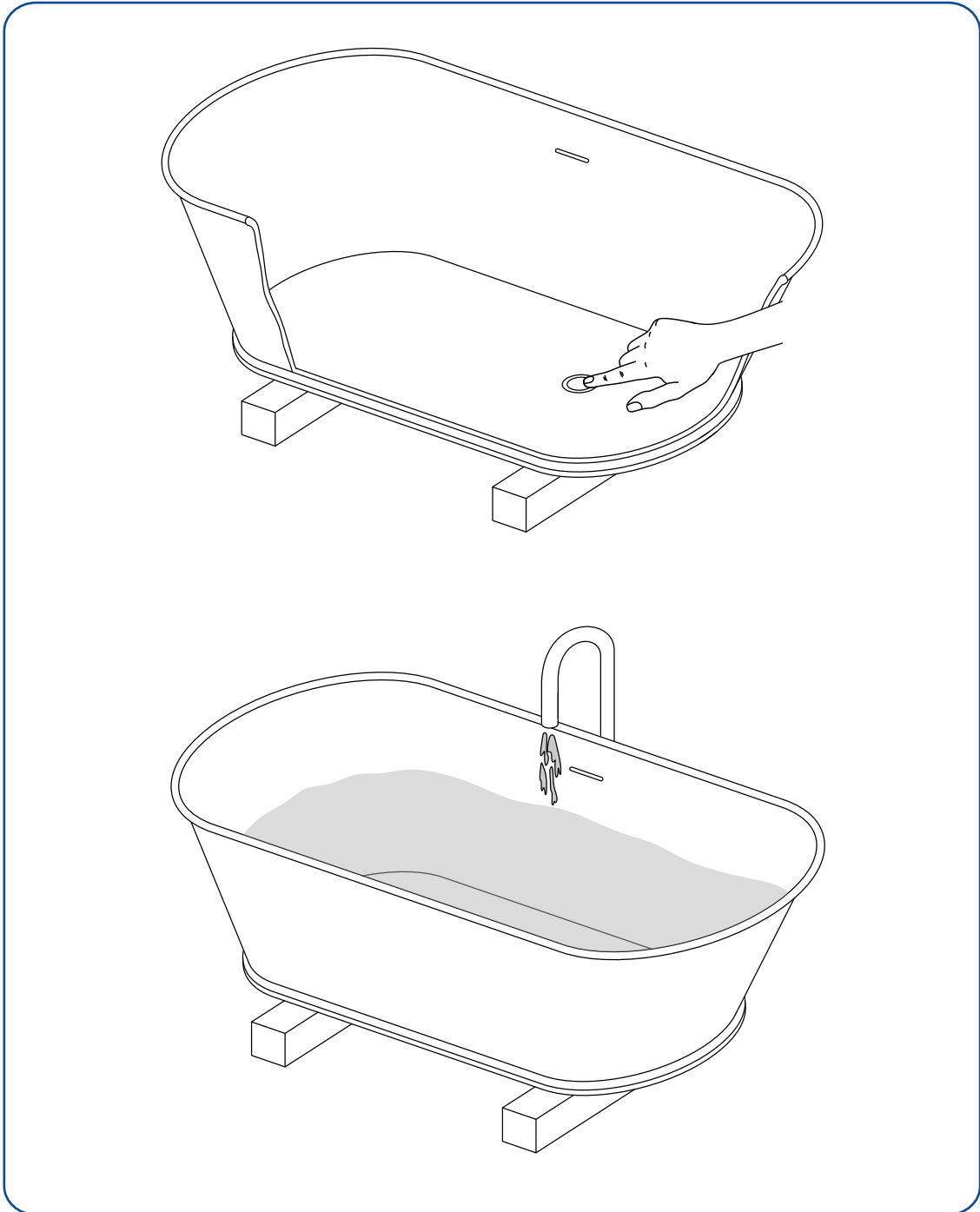
12. Take the lower gasket that was previously removed and re-attach it to the strainer from underneath the bathtub.



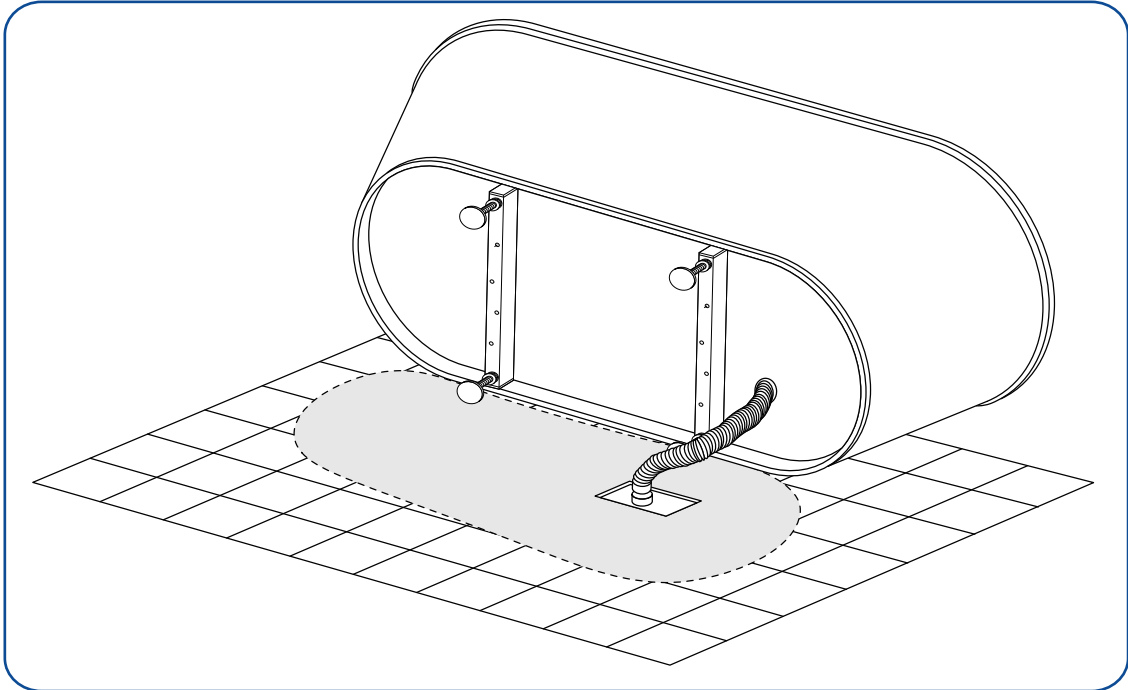
13. Take the drain tee and attach it to the strainer from underneath the bathtub. Tighten as much as possible.



14. Before continuing with the installation, push the pop-up into a closed position and fill the bathtub above the overflow (Note: Some models may not have an overflow) to check for any overflow or drain leakage. If there is any leakage, please halt the installation and reach out to customer service at 310-935-0028 or support@streamlinebath.com for further guidance and assistance.

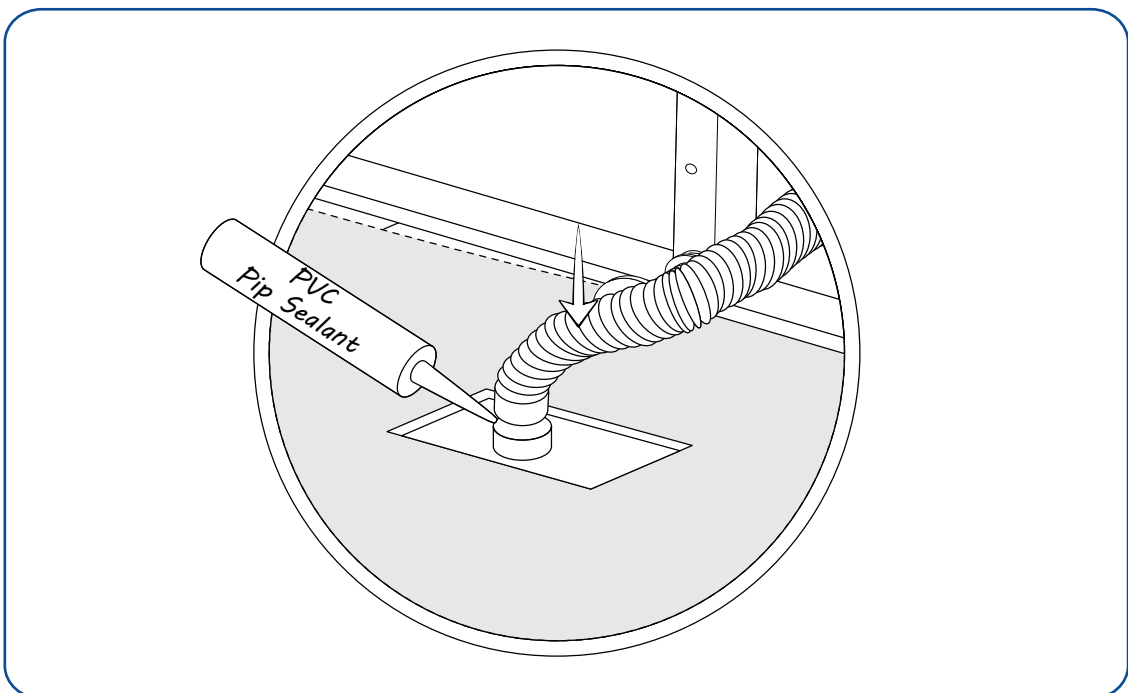


15. Proceed to connect the supplied flexible drain hose to the bathtub drain. Subsequently, attach the hose to the drain coming from the floor in the home.

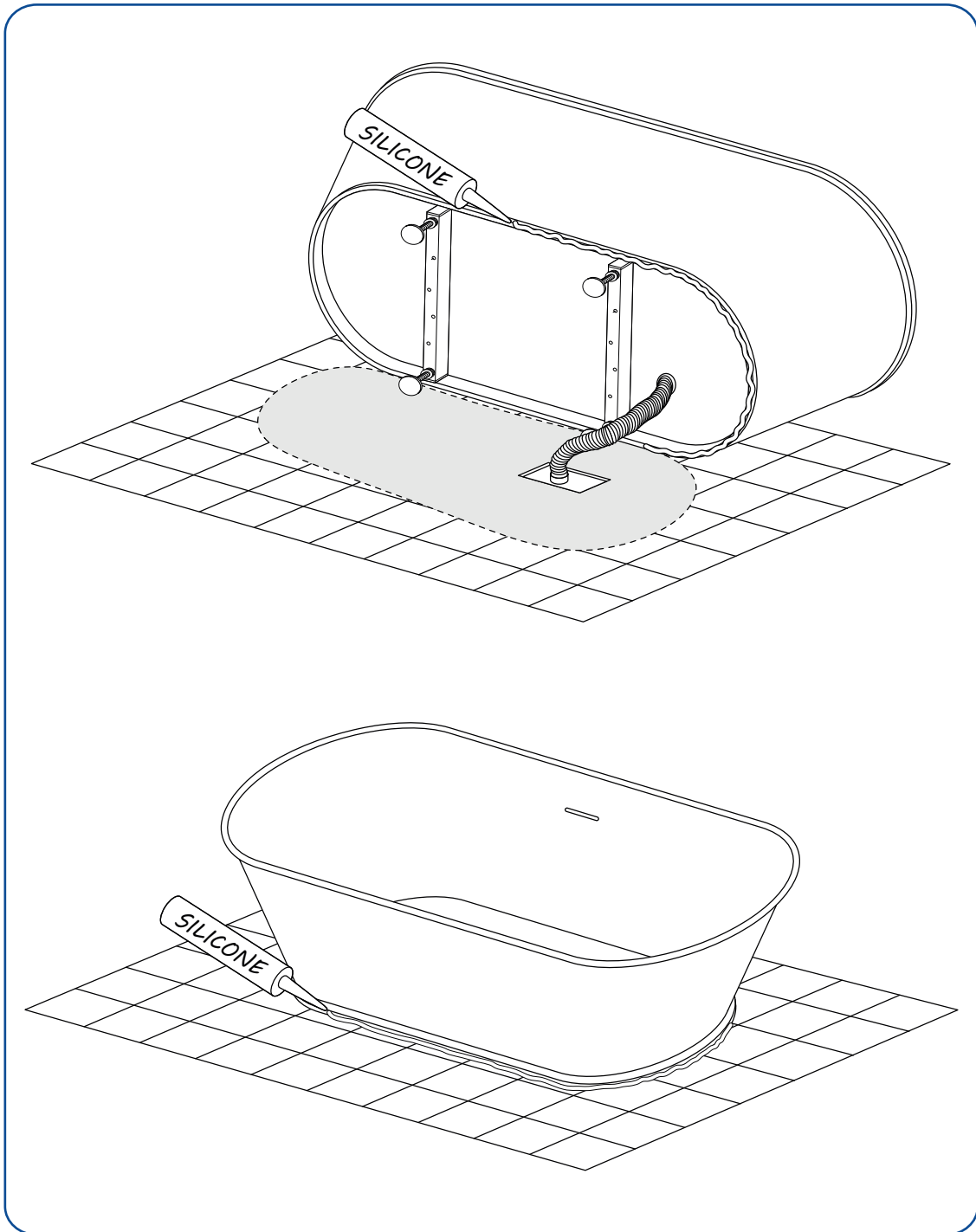


- a. Kindly be aware that the flexible hose is a standard method we offer for connecting to the end plumbing in a home. Given that plumbing installations vary in every home, we recommend consulting with a certified plumber to determine if the plumbing in your home is compatible with using a basic flexible hose.

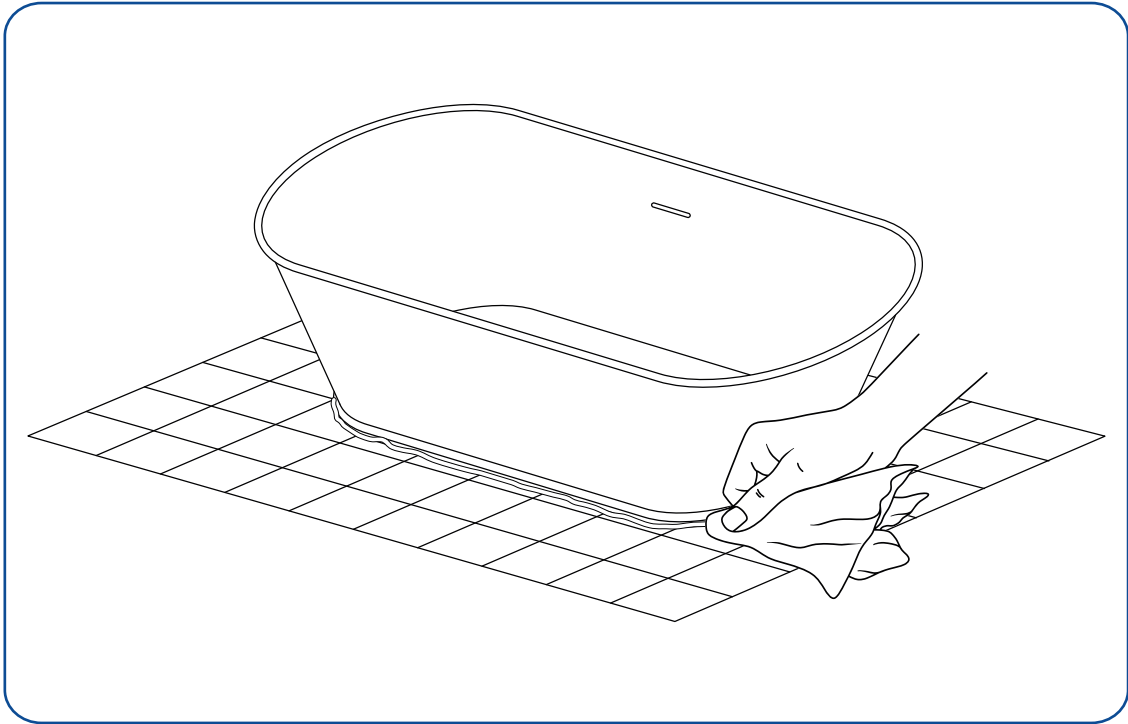
16. Seal the connection by using a PVC pipe sealant to join the parts together.



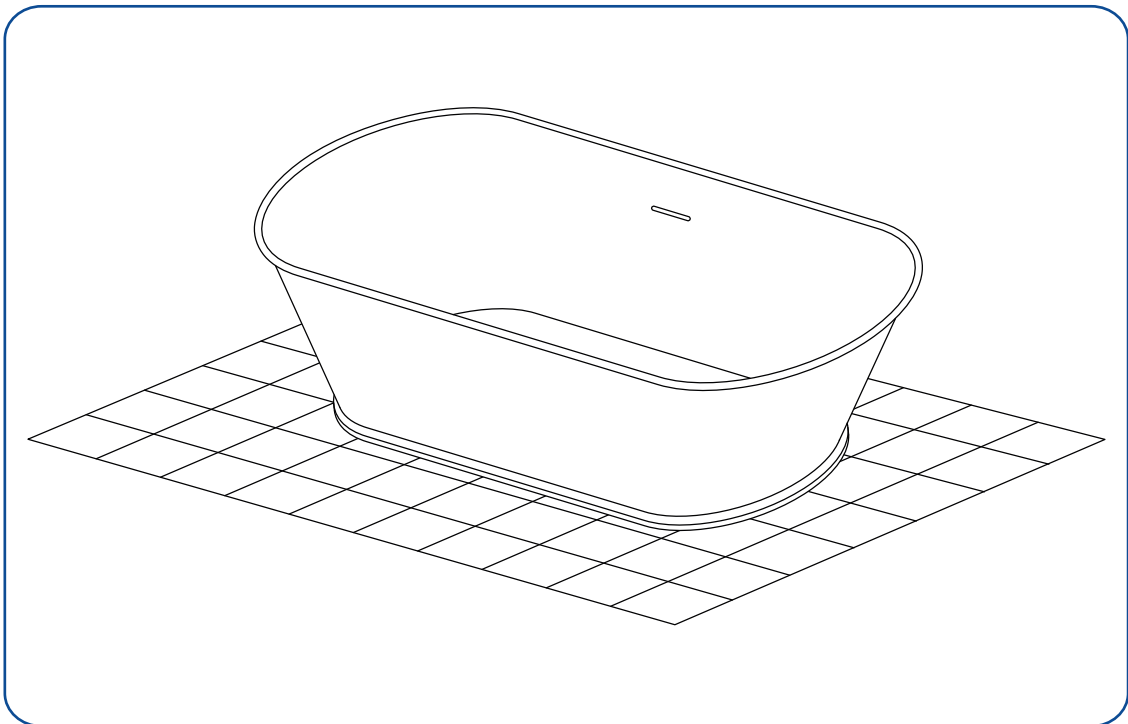
17. Apply silicone along the bottom of the bathtub in order to create an airtight seal. Then apply a bead of tub & tile caulk around the edges of the base.



18. Now that the bathtub is in position, wipe away any surplus silicone or tub and tile caulk at the point where the bathtub meets the floor.



19. Allow for up to 24 hours for the adhesive material to set.





Our warranty program is designed to provide you with peace of mind. It covers a wide range of potential issues that may arise during the specified warranty period, ensuring that you can enjoy your bathtub with confidence.

We are pleased to inform you that by purchasing our bathtub, you are automatically enrolled in our warranty program.

We want to assure you that our warranty program is backed by our commitment to quality and customer satisfaction. In the unlikely event that you encounter any concerns or defects with your bathtub, our dedicated support team is here to assist you promptly and efficiently.

Please take a moment to review the details of your warranty coverage, which can be found in the documentation included with your purchase. If you have any questions or require further clarification, do not hesitate to contact our customer service department. We are always ready to provide the assistance you need.

Once again, thank you for choosing our bathtub and for allowing us to serve you. We value your trust and are committed to delivering the highest level of product quality and customer care. We look forward to exceeding your expectations throughout your ownership of our bathtub.

For any questions or comments about your new bathtub, please contact customer service at:

USA:
(310) 935-0028
support@streamlinebath.com

Canada:
(604) 757-6589
support@streamlinebath.ca

LIMITED WARRANTY EXCLUSION

ALL OTHER WARRANTIES EXPRESS OR IMPLIED INCLUDING ALL IMPLIED WARRANTIES OF MERCHANTABILITY OF FITNESS FOR A PARTICULAR PURPOSE ARE HEREBY DISCLAIMED. STREAMLINE® IS NOT LIABLE FOR ANY INDIRECT, PUNITIVE, INCIDENTAL, CONSEQUENTIAL, SPECIAL OR SIMILAR DAMAGES INCLUDING, BUT NOT LIMITED TO, TIME AWAY FROM WORK, HOTELS AND/OR RESTAURANT MEALS, REMODELLING EXPENSES IN EXCESS OF DIRECT DAMAGES WHICH ARE DEFINITELY CAUSED EXCLUSIVELY BY STREAMLINE®, LOST PROFITS OR REVENUE, INABILITY TO USE THE PRODUCT, OR ANY OTHER ASSOCIATED EQUIPMENT, THE COST OF SUBSTITUTE EQUIPMENT, AND ANY CLAIMS BY THIRD PARTIES RESULTING FROM THE USE OF THIS PRODUCT.

UNDER NO CIRCUMSTANCES SHALL STREAMLINE'S LIABILITY EXCEED THE PURCHASE PRICE OF THE UNIT.

STREAMLINE® PRODUCTS MUST BE INSTALLED BY A FULLY INSURED, LICENSED, PROFESSIONAL WHO SHALL FOLLOW THE INSTRUCTIONS PROVIDED BY STREAMLINE®. SHOULD THE PRODUCT BE INSTALLED BY AN INDIVIDUAL WHO IS NOT A FULLY INSURED, LICENSED PROFESSIONAL, THIS SHALL VOID THE WARRANTY OF THE PRODUCT.

SHOULD A WARRANTY CLAIM ARISE AND EITHER PARTS, REPLACEMENT, OR REPAIR OF THE STREAMLINE PRODUCT IS NECESSARY, FULFILLING THE INITIAL WARRANTY CLAIM SHALL DISCHARGE STREAMLINE® OF ANY FUTURE WARRANTY OBLIGATION. IF THE PURCHASER REFUSES THE WARRANTY SOLUTION PROVIDED BY STREAMLINE®, THIS ACT SHALL VOID THE WARRANTY. UNDER BOTH INSTANCES, STREAMLINE® WILL NOT BE HELD RESPONSIBLE FOR ANY COSTS ASSOCIATED WITH SERVICING THE WARRANTY

NO PERSON MAY MAKE ANY REPRESENTATION, AFFIRMATION, OR WARRANTY OTHER THAN THOSE CONTAINED IN THIS WARRANTY. ANY AFFIRMATION, REPRESENTATION OR WARRANTY BY ANY PERSON WHO IS NOT A STREAMLINE® EMPLOYEE SHALL NOT BE ENFORCEABLE AGAINST STREAMLINE®

Streamline® makes no representations about the quality, durability, or need for service or repair of its products other than the representations contained in this warranty. If you want a longer or more comprehensive warranty than the limited warranty that comes with this product, you should ask Streamline® or your retailer about buying an extended warranty. This warranty gives you specific legal rights, and you may have other rights that vary from state to state. Some states do not allow the exclusion or limitation of incidental or consequential damages, and some states do not allow limitations on how long an implied warranty lasts, so the limitations or exclusions stated above may not apply and may vary from state to state.

The warranties stated herein apply only to the first purchaser of the Product and are not transferable. Streamline® reserves the right to request proof of purchase at the time any warranty claim is submitted to confirm that the Product falls within the scope of this limited product warranty.

OUT OF WARRANTY PRODUCT

STREAMLINE® IS UNDER NO OBLIGATION, AT LAW OR OTHERWISE, TO PROVIDE YOU WITH ANY CONCESSIONS, INCLUDING REPAIRS, PRORATES,

LIMITED MANUFACTURER'S WARRANTY

All parts and finishes of Streamline® products are warranted to the original consumer purchaser to be free from defects in material and workmanship for a period of two to five years [depending on the product and model; please check the product listing or email us at support@streamlinebath.com if you are unsure] after the date of original retail purchase. Proof of the original purchase is required to obtain a remedy under this limited warranty. Streamline® recommends using a certified professional for all installation and repair of kitchen and bathroom fixtures.

Streamline® will replace, free of charge, during the warranty period any part or finish that proves defective in material and/or workmanship under normal installation, use and service. Replacement parts may be obtained by emailing us at support@streamlinebath.com

This warranty is extensive in that it covers replacement of all defective parts and even finish, but these are the only two things that are covered. Labor charges and/or damage incurred in installation, repair, or replacement as well as any other kind of loss or damages are excluded. Proof of purchase (original sales receipt) from the original consumer purchaser must be made available to Streamline® for all warranty claims. This is the exclusive warranty by Streamline®, which does not make any other warranty of any kind, including the implied warranty of merchantability. This warranty excludes all industrial, commercial and business usage, whose purchasers are hereby extended a one-year limited warranty from the date of purchase, with all other terms of this warranty applying except the duration of the warranty.

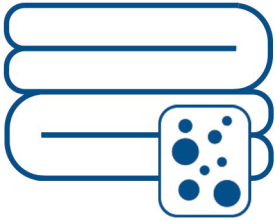


WHAT IS NOT COVERED UNDER THIS LIMITED WARRANTY

- Normal wear and tear, spills of food, liquid, grease accumulations or cosmetic damage.
- Damage due to accidents, misuse, physical force, improper installation or operation, mishandling, neglect, fire, heat, water, humidity, liquids, insect infestation, or other intrusion.
- Products that have been repaired, altered or modified by anyone other than Streamline® or its authorized service representative.
- Damage caused by use of non-Streamline® accessories or misapplication.
- Products whose serial numbers have been removed, altered or rendered illegible.
- Products purchased, shipped from, used or serviced outside the United States, Canada, and Mexico.
- Damage caused by acts of nature such as, but not limited to, lightning damage.
- Products returned without valid proof of purchase.
- Consumable parts such as light bulbs, metal, and charcoal filters.
- Any party's willful misconduct, negligence, misuse, abuse, accidents, neglect, improper operation, failure to maintain, improper or negligent installation, tampering, failure to follow operating instructions, mishandling, unauthorized service (including self-performed "fixing" or exploration of the product's internal workings).
- Use of corrosive or abrasive cleaning products.
- Cosmetic damages including scratches, dents, chips and other damage, unless such damage results from defects in materials and workmanship and is reported to Streamline within 3 calendar days of delivery.
- Use of the Product in anything other than its normal, customary and intended manner.
- A failure to comply with any applicable state, local, city or county electrical, plumbing and/or building codes, regulations, or laws, including failure to install the product in strict conformity with local fire and building codes and regulations.
- In no event shall Streamline have any liability or responsibility whatsoever for damage to surrounding property, including cabinetry, floors, ceilings, and other structures or objects around the product.

NO ATTEMPT TO ALTER, MODIFY, OR AMEND THIS WARRANTY SHALL BE EFFECTIVE UNLESS AUTHORIZED IN WRITING BY AN OFFICER OF STREAMLINE.

7. Use & Care Guide



In order to clean the bathtub, please only use a soft cotton cloth or soft sponge.



Never use acidic, alkali, or any products to clean the bathtub that state on their label that they are **Not Suitable** for use on Acrylic, ABS, Polystyrene or Plastic.



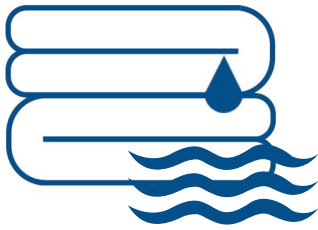
To clean inside the bathtub, fill it with warm water and add a couple of squirts of dish liquid. Allow it to sit for 30 minutes. Let the bathtub drain and wipe away any residue. You can also use cleaning products in aerosol cans or solvents, including acetone for a deep clean



In order to remove light marks or scratches, apply toothpaste to the area and scrub with a soft cloth or sponge.



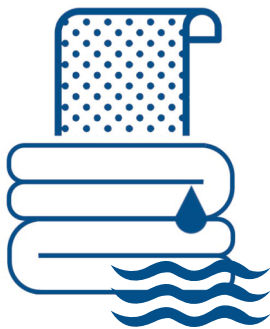
If deep cleaning is necessary, rinse or soak the tub in warm water for 30 minutes and add a bit of liquid soap or dish soap to the water. Rinse and dry with a soft towel.



It is advised to clean the surface of the bath regularly in order to remove any insoluble products. Warm soapy water should be used and afterwards the bath should be wiped. **Do not let cleaners soak in.**



It is advised to always run some cold water before turning on the hot tap, with hot water temperatures not exceeding 65 Celsius.



If deep scratches or burns appear, please use sandpaper with at least 1500 grit. Dampen the sandpaper slightly with water and then proceed to rub the sandpaper in a circular motion around the affected area, ensuring that you rub slightly wider than the affected area.

Continue doing so until the scratch is no longer visible. In order to bring the affected area back to its shiny form, please use a soft cloth and a small amount of polish to buff the rubbed area. Continue doing so until the affected area is restored to its original shine.



The surface of the bathtub has good resistance properties to acids, but should not come into contact with alkalis or organic solvents, such as caustic soda, some multi-surface cleaners, bathroom cleaners, bleaches, harsh solvents, burning cigarettes, strong chemicals such as dry-cleaning fluids, paint strippers, acetone, citrus based chemicals, and nail/varnish removers.



Please read all instructions carefully before proceeding with installation.



Due to the complexity of the installation procedure, a professional plumber is required.