

Features

- Kohler plumbing products mean beautiful form as much as reliable function
- Wall-mount
- Drinking fountains with KOHLER colors made to order; lead time is six weeks
- Space-saving drinking fountains are designed for easy maintenance and cleaning

Included Components

Additional Components:

- 1 1/4" Trap with Strainer
- Access Plate
- Hanger accessory pack
- Supply Valve Sub Assembly
- Water Fountain



Codes/Standards

ASME A112.19.2/CSA B45.1

NSF/ANSI 61

NSF/ANSI 372

All applicable US Federal and State material regulations

KOHLER® One-Year Limited Warranty

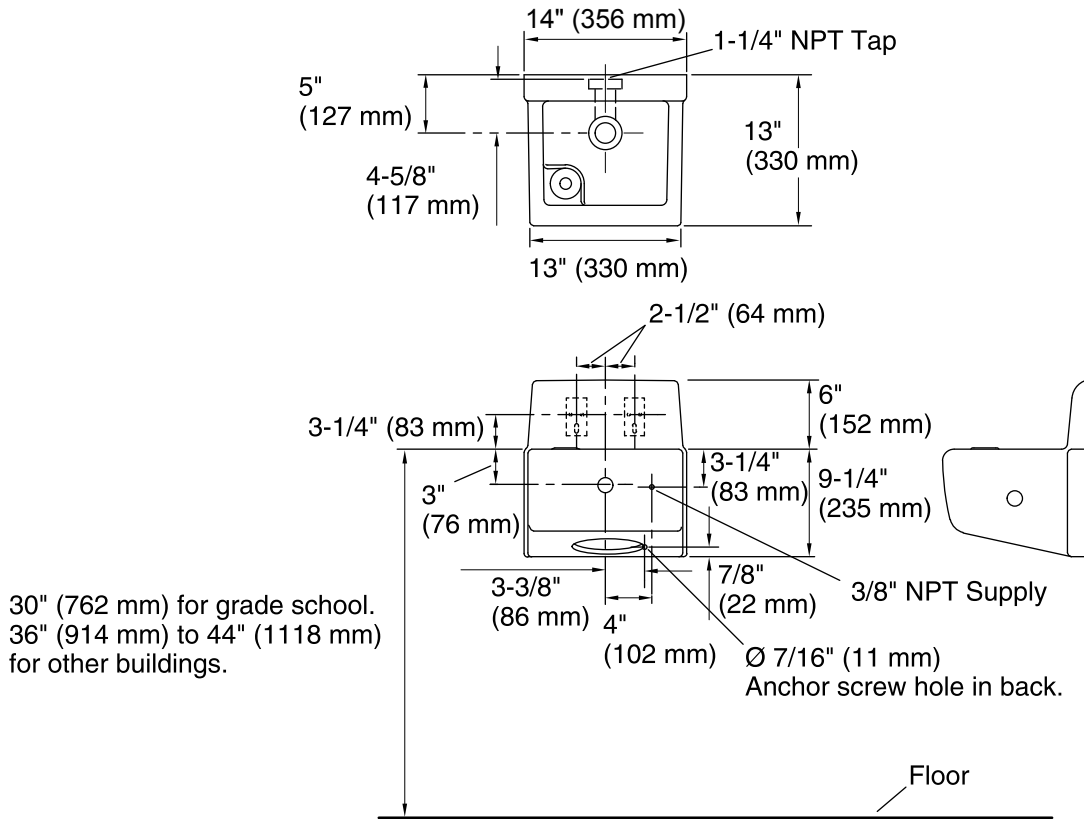
See website for detailed warranty information.

Available Colors/Finishes

Color tiles intended for reference only.

Color	Code	Description
-------	------	-------------

	0	White
--	---	-------



Technical Information

All product dimensions are nominal.

Bowl configuration: Single

Installation: Wall-mount

Notes

Install this product according to the installation instructions.