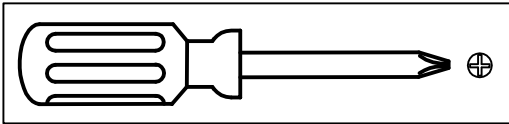





# ASSEMBLY INSTRUCTION

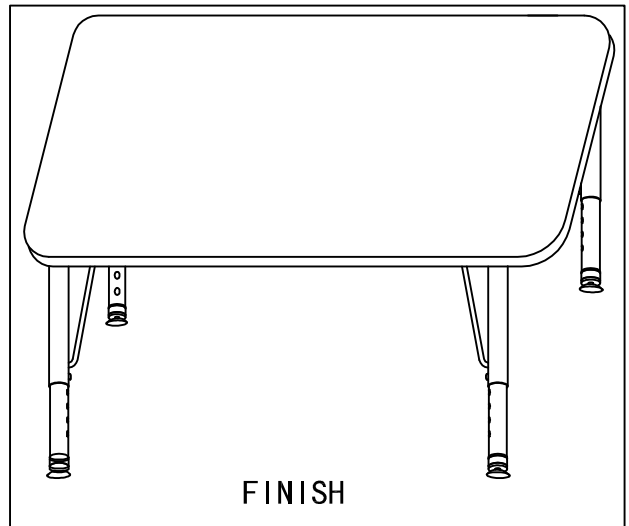
Tools required:




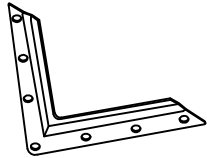
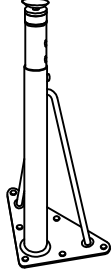

Hardware list:

<p><b>A</b></p>  <p>SCREW=40 (M5*16mm)</p>	<p><b>B</b></p>  <p>SCREW=5or10 (M4*35mm)</p>	<p><b>C</b></p>  <p>5MM ALLEN KEY=1</p>
---	--	--

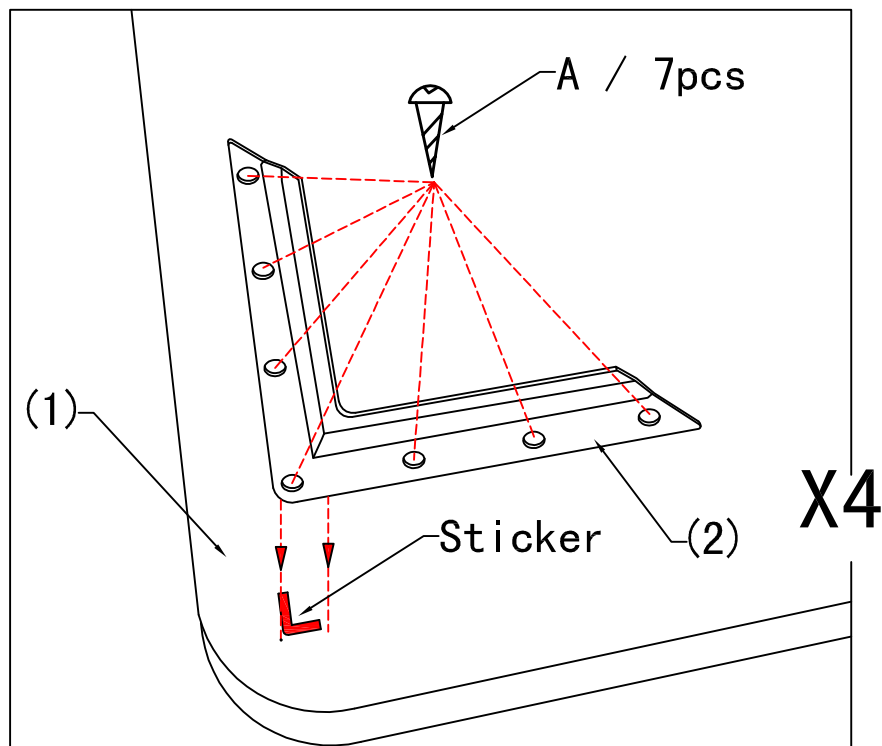
Tools Provided:



Part list:

<p><b>1</b></p>  <p>TABLE TOP = 1PC</p>	<p><b>2</b></p>  <p>SILVER PLATE = 4 PCS</p>	<p><b>3</b></p>  <p>LEG = 4PCS</p>	<p><b>4</b></p>  <p>1 or 2 SUPPORT BAR</p>
--	---	---	---

STEP 1.

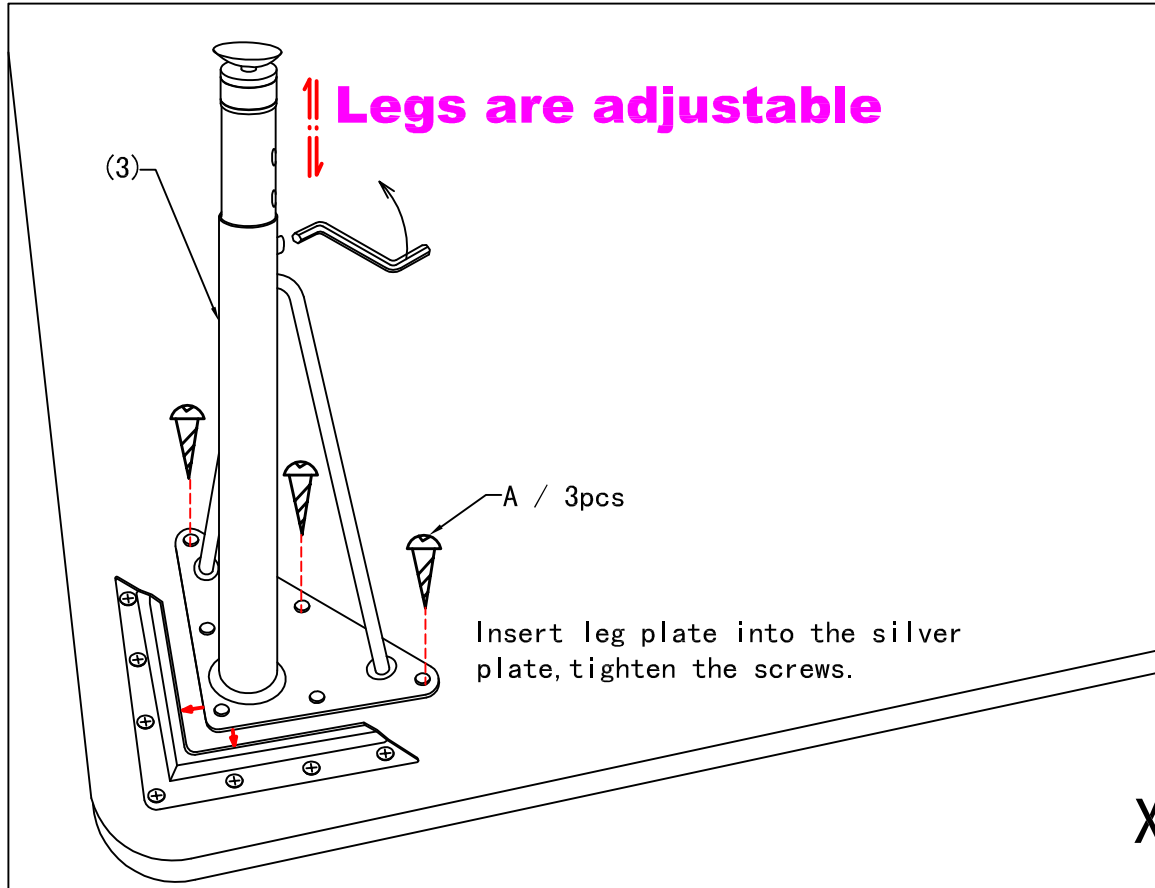


PLEASE NOTE!

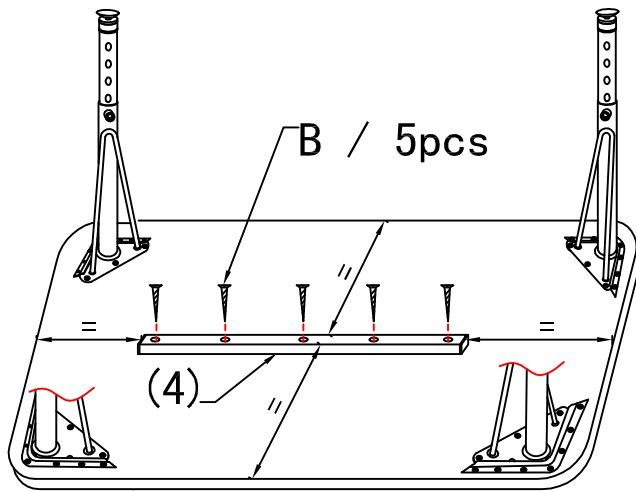
1. Chose your favorite color for top, assemble silver plate to the other side.
2. Silver plate corners to be exactly cover the stickers.

# ASSEMBLY INSTRUCTION

STEP 2.



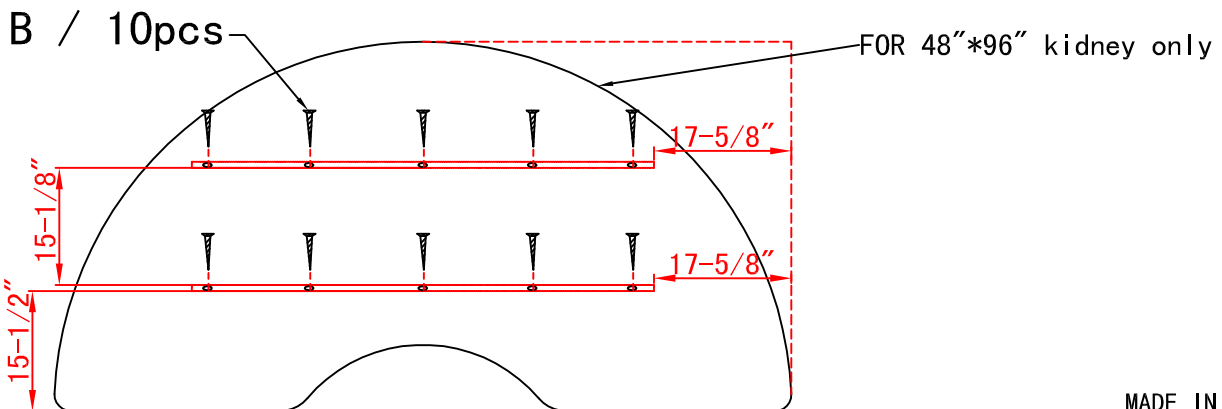
STEP 3.



Tops without support bar	Tops with one support bar	Top with two support bar
24"*48" rectangle	30"*60" rectangle	48"*96" kidney
30"*48" rectangle	30"*72" rectangle	
42" round	36"*72" rectangle	
48" round	24"*60" rectangle	
24"*48" trapezoid	48"*72" kidney	
	60"*66" horse	
	A60" flower	
	60" round	
	30"*60" trapezoid	

**Remark:**  
 1. Please assemble support bar if supplied.  
 2. Support bar and screws are packed in top carton.

One support bar: assembled in the middle of the top.



MADE IN CHINA