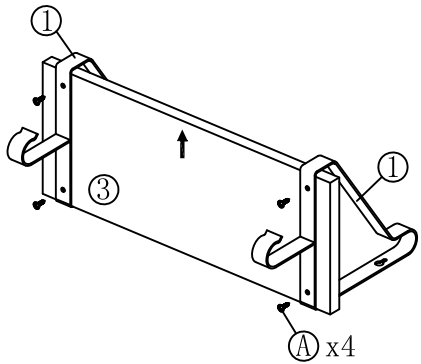


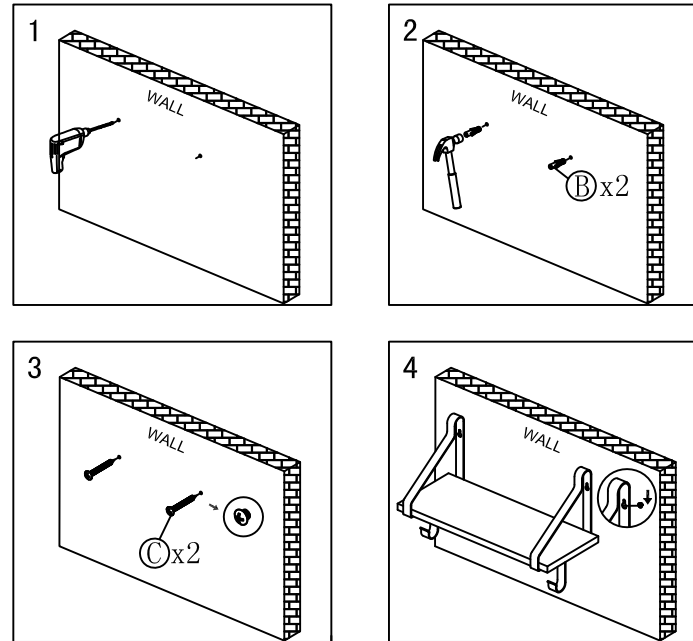
# ASSEMBLY INSTRUCTION

ITEM NO:GH21804

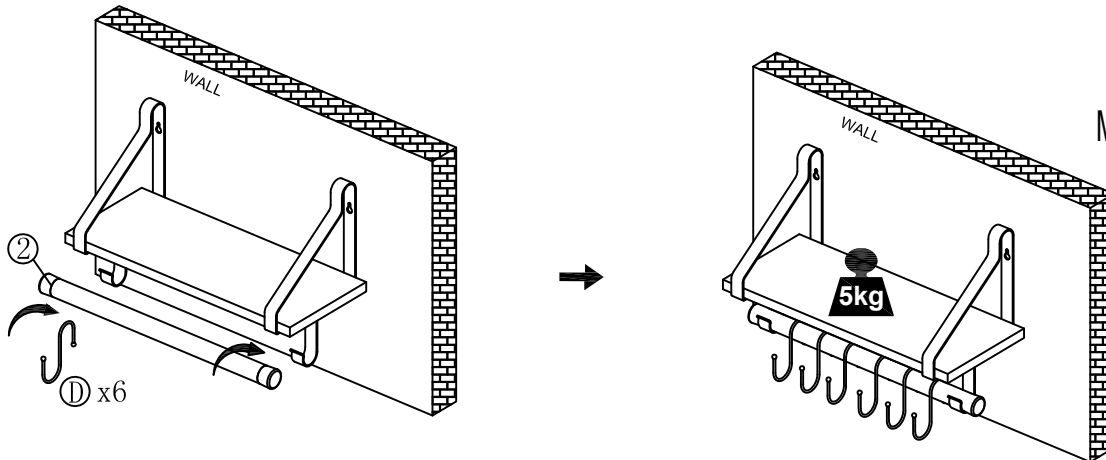
## STEP 1



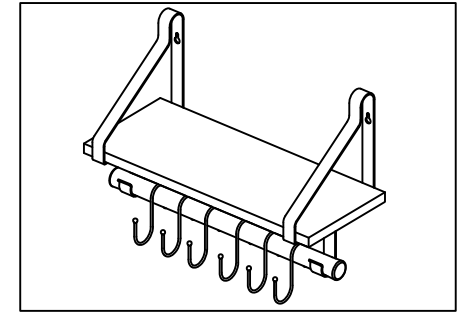
## STEP 2



## STEP 3



Maximum Weight Capacity



①		2PCS
②		1PC
③		1PC
Ⓐ	M3.5*15mm	4PCS
Ⓑ		2PCS
Ⓒ	M4*35mm	2PCS
Ⓓ		6PCS