

# INSTALLATION INSTRUCTION

## 576 - LED Bath

WS-57637

# WAC LIGHTING

Responsible Lighting®

### WARNING

IMPORTANT: NEVER attempt any work without shutting off the electricity.

- Read all instructions before installing.
- System is intended for installation by a qualified electrician in accordance with the National Electrical Code and local regulations.
- Go to the main fuse box, or circuit breaker. Place the main power switch in the "OFF" position and unscrew the fuse(s) or switch "OFF" the circuit breaker switch(es) that control the power to the fixture or room that you are working on.
- Place the wall switch in the "OFF" position.

### CAUTION

- All parts must be used as indicated in these instructions. Do not substitute any parts, leave parts out, or use any parts that are worn out or broken. Failure to follow this instruction could invalidate the ETL/CETL listing of this fixture.  
CAUTION When handling the fixture, do not apply pressure to the LEDs. Hold the fixture by the base only.

### AVERTISSEMENT

IMPORTANT : Coupez l'électricité avant TOUTE manipulation.

- Lisez toutes les instructions avant d'installer.
- Système est destiné à être installé par un électricien qualifié en conformité avec le code national de l'électricité et les règlements locaux.
- Accédez au panneau central de disjoncteurs ou de fusibles de votre demeure et placez l'interrupteur principal en position d'arrêt (« OFF »).
- Placez l'interrupteur mural en position d'arrêt (« OFF »).

### MISE EN GARDE

- Toutes les pièces doivent être utilisées tel qu'il est indiqué dans ces instructions. Ne remplacez pas les pièces, n'en laissez pas de côté et ne les utilisez pas si elles sont usées ou brisées. Le non-respect de ces instructions peut annuler l'homologation ETL/CETL du luminaire. MISE EN GARDE Ors de la manipulation de l'appareil, ne pas appliquer de pression à la LED, tenir l'appareil par la seule base.

### ADVERTENCIA

IMPORTANTE: NUNCA intente hacer trabajos sin desconectar el suministro eléctrico.

- Lea y comprenda todas las instrucciones e ilustraciones por completo antes de proceder con el ensamblaje e instalación de esta lámpara.
- Sistema está diseñado para ser instalado por un electricista calificado, de acuerdo con el código eléctrico nacional y las normas locales.
- Diríjase a la caja de fusibles o a la caja del interruptor de circuito principal en su hogar. Coloque el interruptor de alimentación principal en la posición "OFF" (APAGADO).
- Coloque el interruptor de la pared en la posición "OFF" (APAGADO).

### PRECAUCIÓN

- Todas las piezas deben usarse como lo indican estas instrucciones. No reemplace las piezas, no omita piezas durante la instalación ni utilice piezas gastadas o rotas. El incumplimiento de esta indicación podría invalidar la calificación ETL/CETL esta lámpara. PRECAUCIÓN Al manipular el aparato, no aplique presión a los LED, mantenga el aparato en la base sólo.

### HARDWARE

A1



Wire Connector  
Qty: 3 pcs +1 Extra  
7EAC112201

B1



Junction Box Screw  
Qty: 2 pcs +1 Extra  
7MPF0415C2

C1



Plastic Anchor  
Qty: 2 pcs +1 Extra  
7TDD082401

D1



Wood Screw  
Qty: 2 pcs +1 Extra  
7MPF2204J2

E1



Silicon Gasket  
Qty: 3 pcs +1 Extra  
7TGD181001CL

F1



Knurled Nut  
Qty: 3 pcs +1 Extra  
4MPM1010F1BN

G1



Screw  
Qty: 2 Extra  
7MPF0412S1

waclighting.com  
Phone (800) 526.2588  
Fax (800) 526.2585

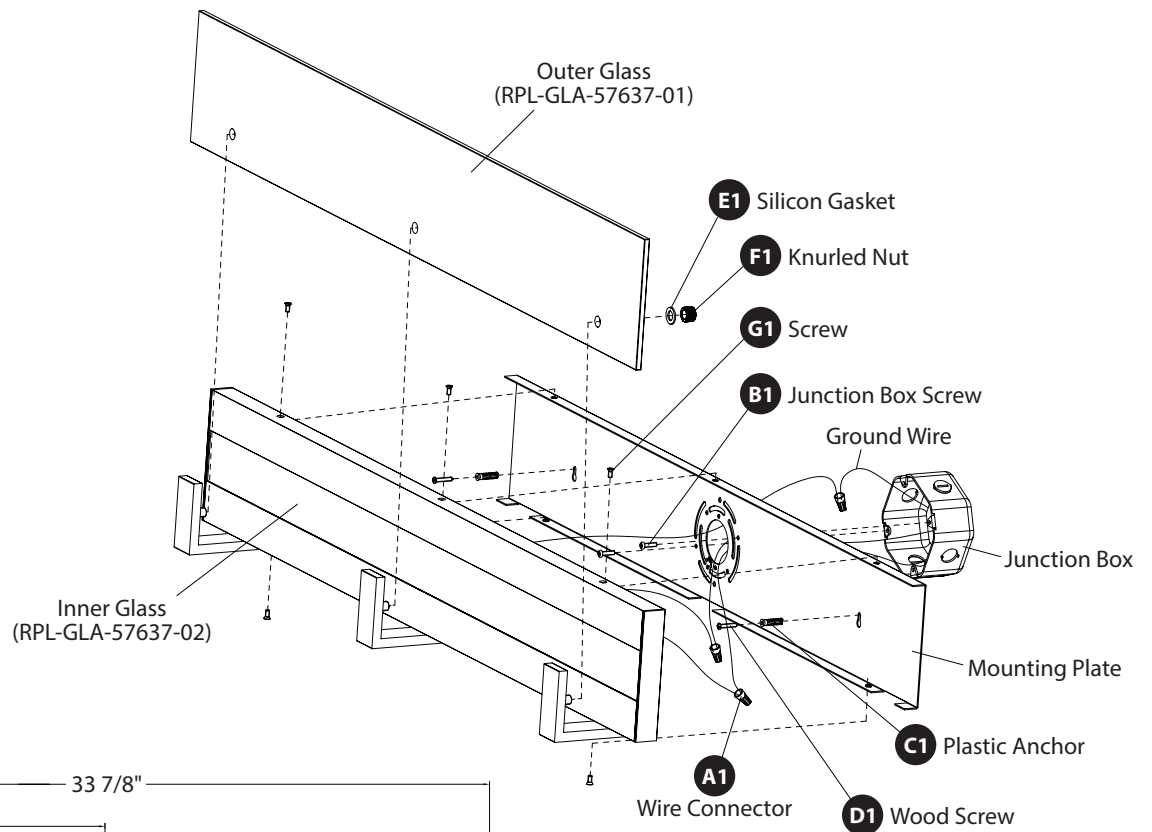
Headquarters/Eastern Distribution Center  
44 Harbor Park Drive  
Port Washington, NY 11050

Central Distribution Center  
1600 Distribution Ct  
Lithia Springs, GA 30122

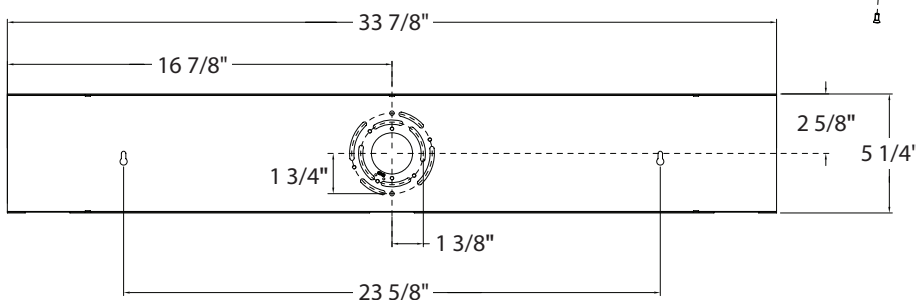
Western Distribution Center  
1750 Archibald Avenue  
Ontario, CA 91760



**FIG.1**



**Back Plate Dimensions**



**PREPARATION**

1. Shut off the power at the circuit breaker and remove existing fixture, including the crossbar.
2. Carefully unpack your new fixture and lay out all the parts on a clear area. Be careful not to lose any small parts necessary for installation.

**MOUNTING THE FIXTURE (Fig. 1)**

3. Remove the screw (G1) from the fixture.
4. Insert the outer glass into the fixture, secure it with knurled nut (F1) and silicon gasket (E1).
5. Drill a hole in the wall aligned with the key holes located in the mounting plate. insert the plastic anchor (C1).
6. Secure the mounting plate to the junction box using junction box screws (B1), fasten it to the wall using wood screw (D1). The side of the mounting back plate marked "GND" must face out.

**MOUNT ON JUNCTION BOX (Fig. 1)**

7. Connect the fixture wires to junction box wires as shown in **Fig. 2**, making sure that all wire connectors (A1) are secured. If your outlet box has a green or bare copper ground wire, connect the fixture's ground wire to it. Otherwise, connect the fixture's ground wire directly to the back plate using the green screw provided.
8. Secure the fixture to the mounting plate using screw (G1).

**Fig. 2 Wiring**

