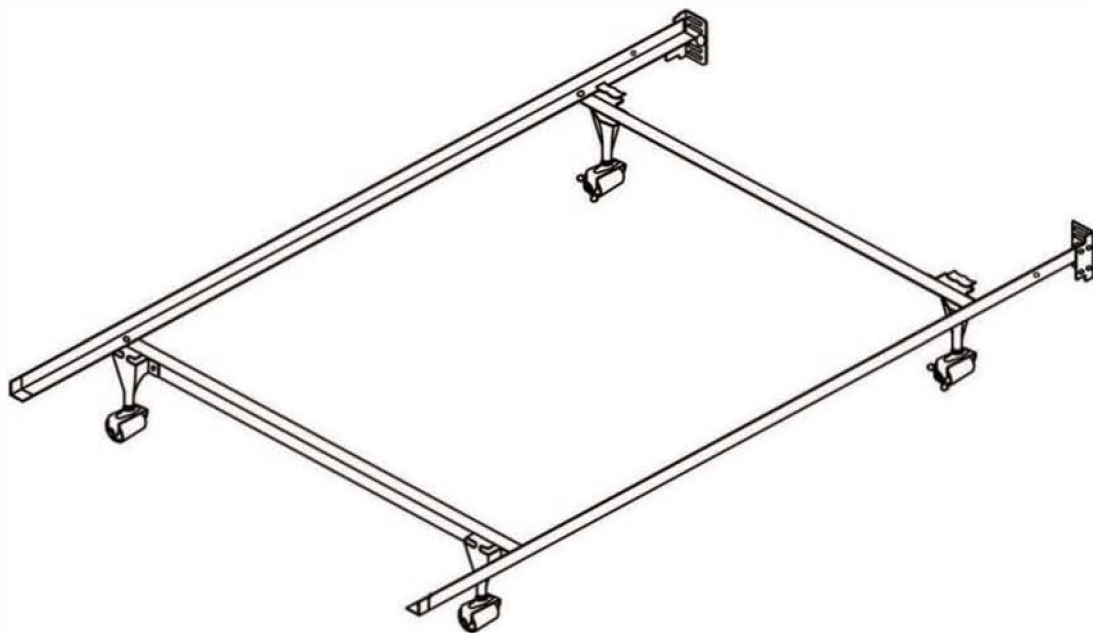


# Assembly Instruction



## WARNING:

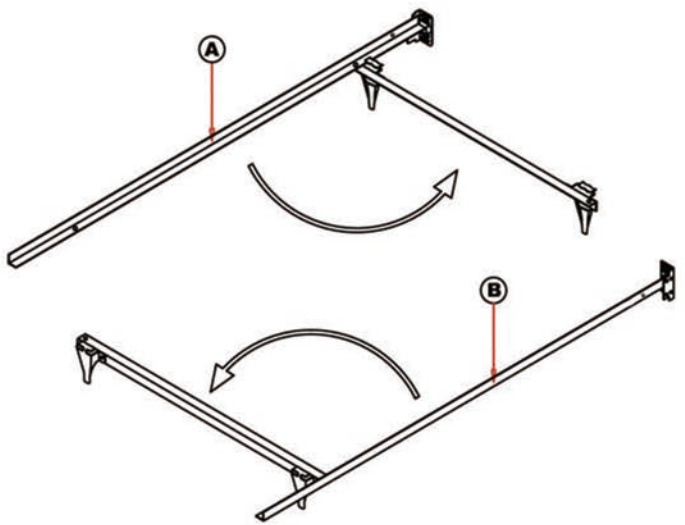
- 1, When assembling this unit, it is recommended that 2 or more adults are involved;
- 2, This package contains small items and plastic bags that should be kept away from children;
- 3, Use soft cloth for cleaning;
- 4, DO NOT TIGHTEN ANY SINGLE BOLTS BEFORE THE ITEM IS FULLY ASSEMBLED

Made In China

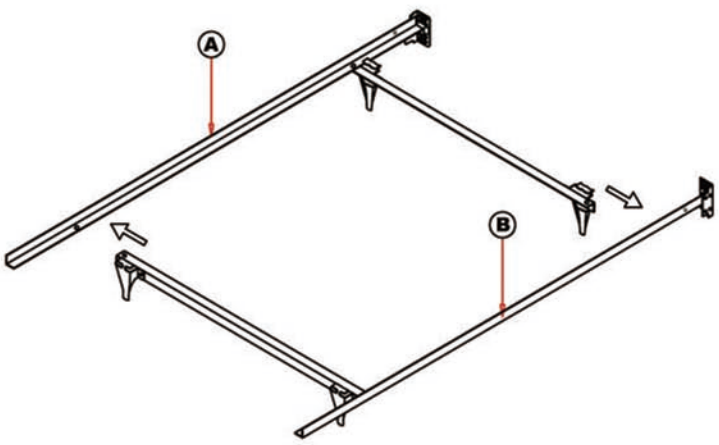
# Parts List

Parts ID	Image	Description	Qty
A		Side rail with cross bar (left)	1
B		Side rail with cross bar (right)	1
C		Plastic Corner Pad	2
D		Wheel Without Brake	2
E		Wheel With Brake	2
<b>Hardware Parts</b>			
1		Bolt	2
2		Washer	4
3		Nut	2
4		Cap	2
5		Allen key	1
6		Wrench	1

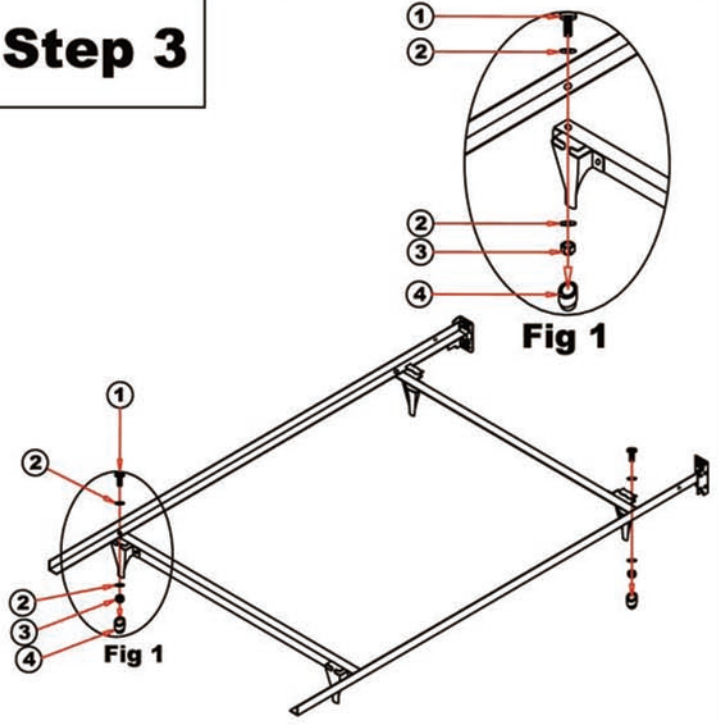
# Step 1



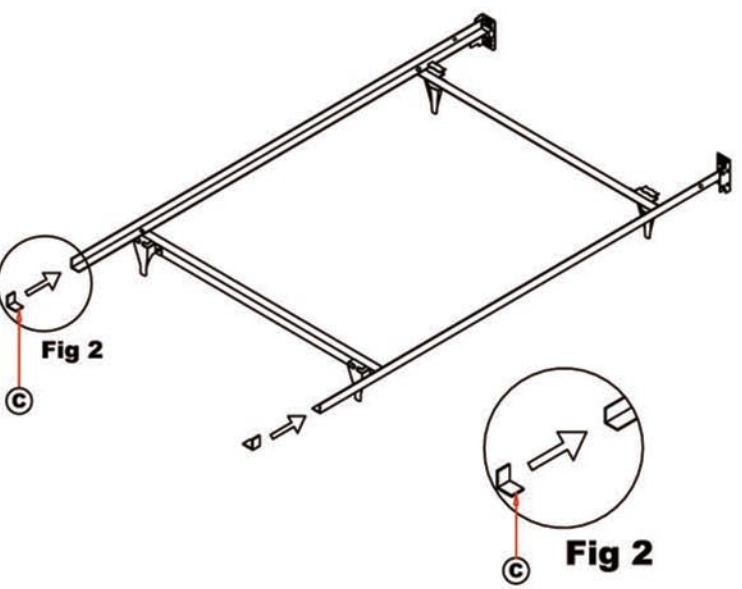
# Step 2



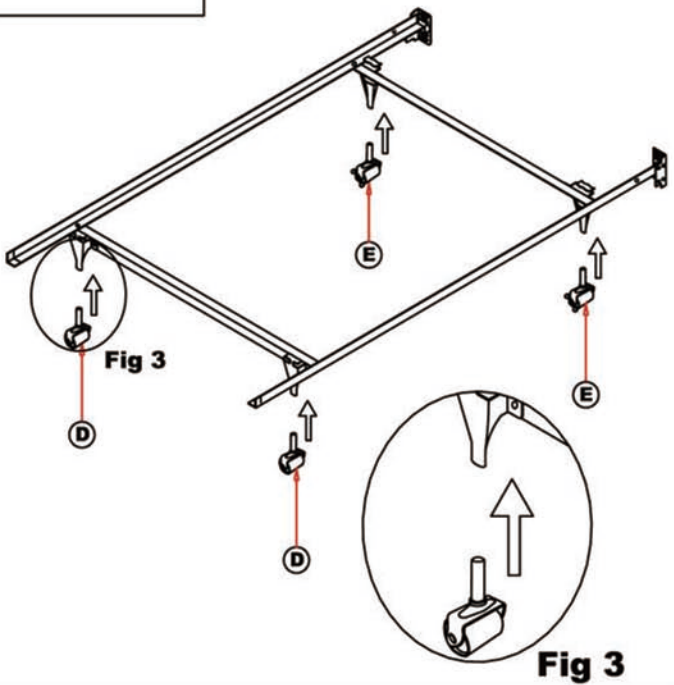
# Step 3



# Step 4



# Step 5



# Finish

