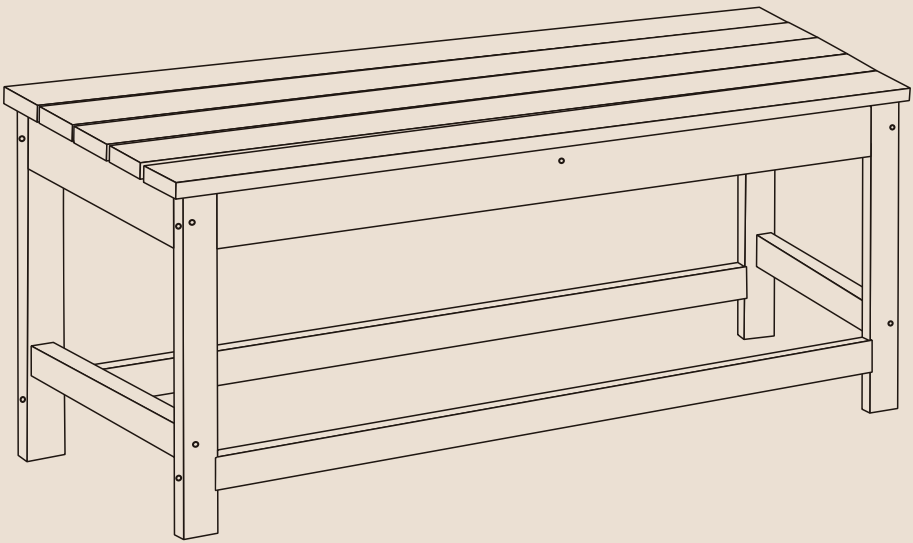




DESIGNED IN CALIFORNIA



— OUTDOOR POLY ADIRONDACK COFFEE TABLE —

# THANK YOU!

We appreciate you for choosing WestinTrends!

Thank you for letting WestinTrends continue to offer accessible luxury trends, inspired by everyone!

---

## JOIN THE WESTINTRENDS COMMUNITY

Sign up here:

[\*https://westintrends.com/welcome\*](https://westintrends.com/welcome)



## QUESTIONS OR COMMENTS?

If you have questions reach out to  
[cs@westintrends.com](mailto:cs@westintrends.com)

---

FOLLOW, SHARE, & LEARN



## PRODUCT REGISTRATION

[\*https://westintrends.com/apps/product-registration\*](https://westintrends.com/apps/product-registration)



ACCESSIBILITY - COMMUNITY - VALUE - SUSTAINABILITY

## ! CARE & MAINTENANCE

### Do not overtighten screws.(Insert all screws before tighten screws.)

- Please do not exceed the weight limitations of this item.
- Do not stand on or use any part of this item as a step ladder.
- Firmly secure all bolts, screws and nuts before use.
- Reconfirm that all bolts, screws, and nuts are secure every 90 days.
- Do not use or store this item in the proximity of open flame or flammable/combustible chemicals.
- Avoid using strong power tool for avoiding to crack the PE board when assembling.

## TOOLS REQUIRED



## HARDWARE

1

BOLT  
M6 x 50mm



16 PCS

2

ALLEN  
WRENCH

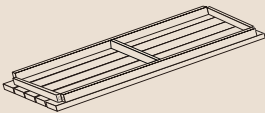


1 PC

## PARTS

A

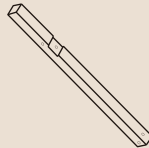
TABLE TOP



1 PC

B

TABLE LEG



4 PCS

C

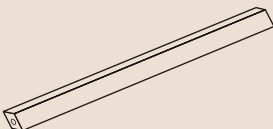
SHORT  
WOODEN BRACE



2 PCS

D

LONG  
WOODEN BRACE



2 PCS

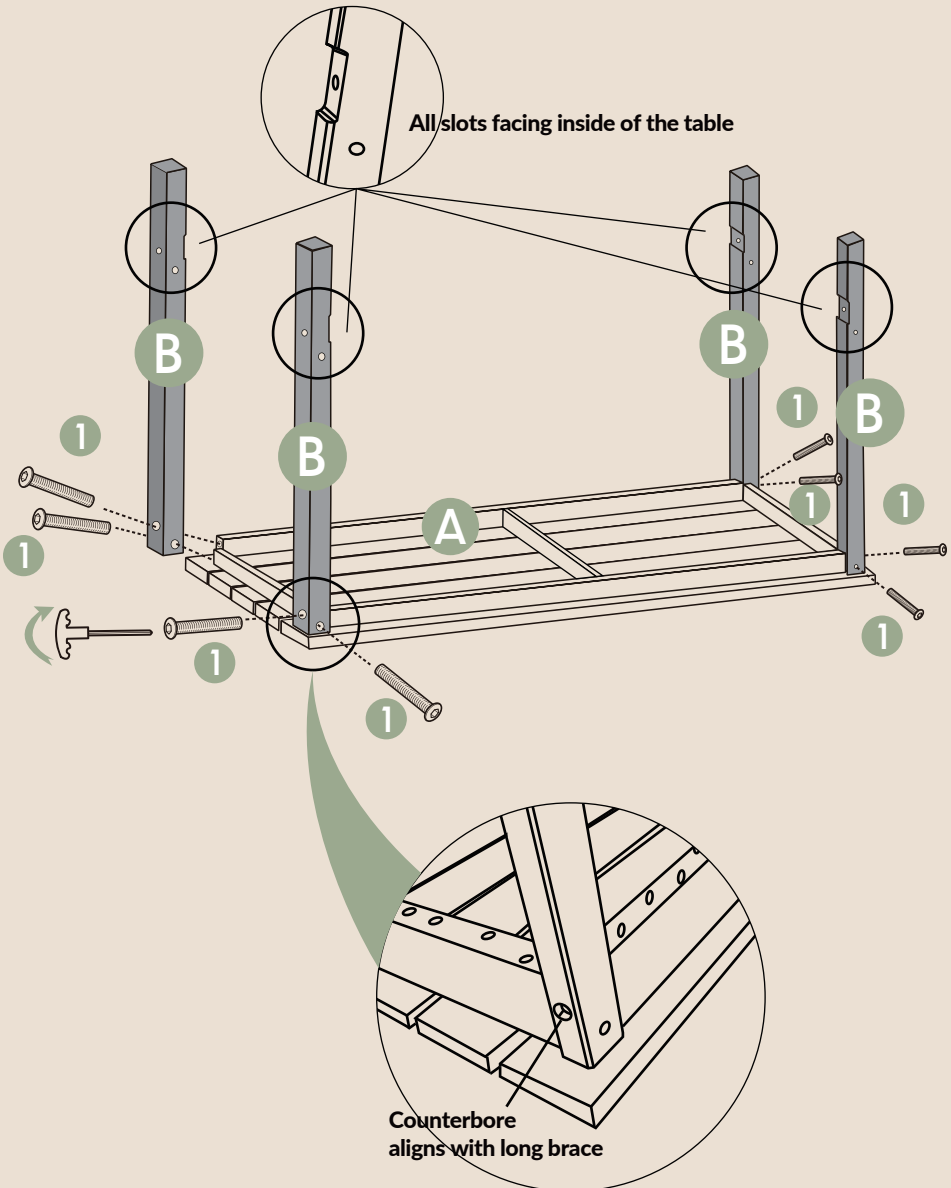
## PRODUCT ASSEMBLY

1

Attach 4 pcs of **Part B Table Leg** to **Part A Table Top** with 8 pcs of **Hardware #1 Bolt**.

Attention: Place the legs with the slot facing inside of the table, meanwhile make sure the counterbore is facing outside as below.

Do not tighten bolts too much at this stage.

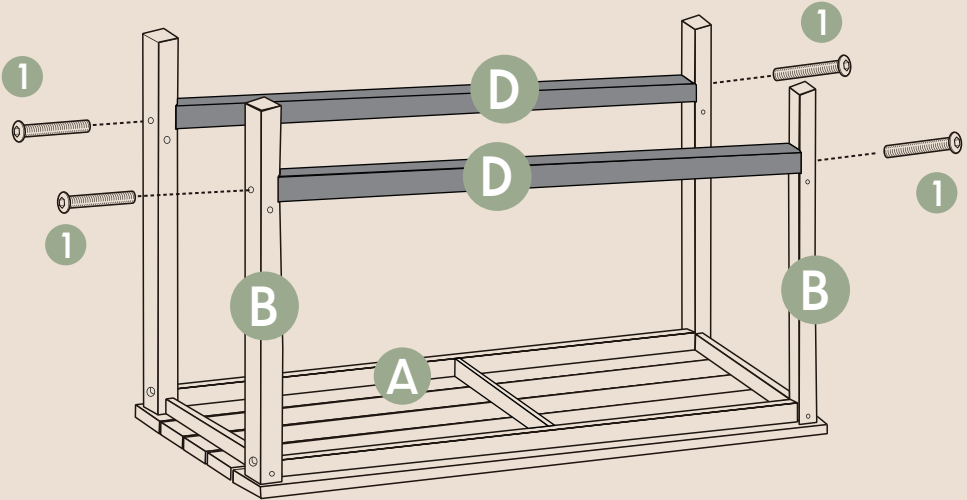


## PRODUCT ASSEMBLY

2

Place **Part D Long Wooden Brace** between **Part B Table Legs** and attach them with 2 pcs of **Hardware #1 Bolt**.

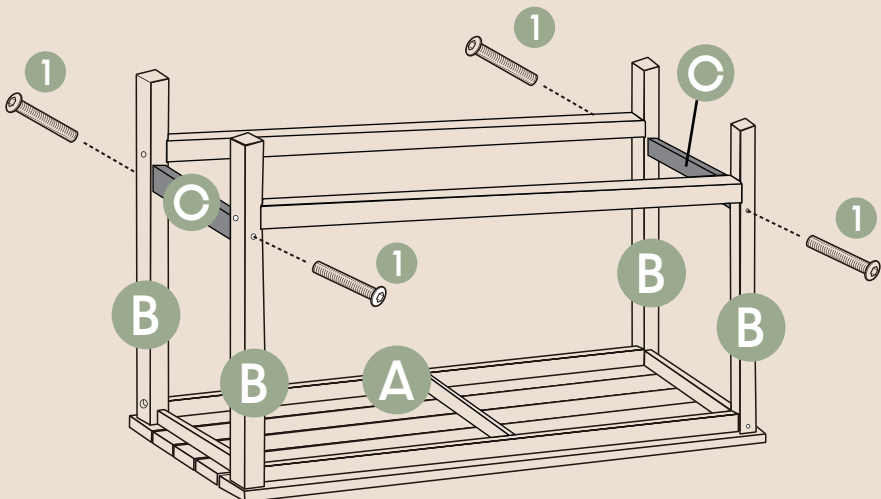
Do the same to attach **Part D Long Wooden Brace** to the other side.



3

Attach **Part C Short Wooden Brace** between **Part B Table Legs** at the side and attach them with 2 pcs of **Hardware #1 Bolt**.

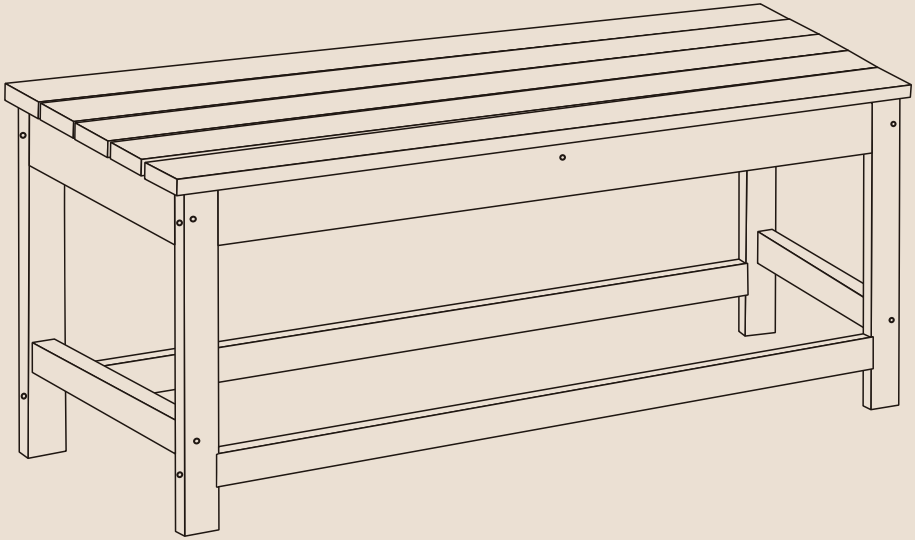
Do the same to attach **Part D Long Wooden Brace** to the other side.



4

Tighten all the bolts again to ensure the steady of this table.

Place the table upside down to normal position and you can enjoy it now.



## REGISTRATION & REFUND POLICY

<https://westintrends.com/apps/product-registration>



<https://westintrends.com/policies/refund-policy>



### HAVING TROUBLE

- **Not sure how to assemble or missing pieces?**

Please contact our Customer Service Team for assistance at [cs@westintrends.com](mailto:cs@westintrends.com)

**Have Order #, Part # or SKU ready to speed up customer service!**

### CLEANING TIPS

**REGULAR CLEAN:** Use a mixture of warm water and mild soap. Gently scrub the surface with a soft bristle brush to remove any dirt or stains.

**QUICK CLEAN:** You can simply wipe down the HDPE furniture with a damp cloth. The material's resilience makes it resistant to most spills and stains, ensuring a hassle-free maintenance routine.

*Regular cleaning not only preserves the aesthetic appeal of your furniture but also helps extend its lifespan.*

Pressure washer can be used for seriously deep-cleaning - **DO NOT exceed 1500 PSI** - this will remove debris and dirt.