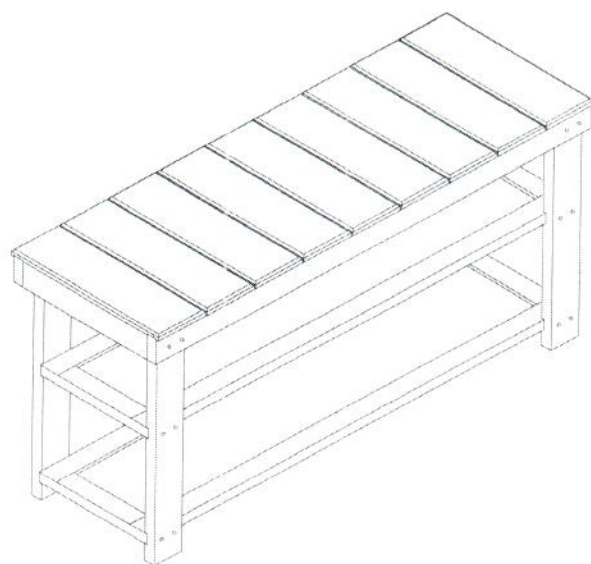


CONVENIENCE CONCEPTS

203300W/203300BL/203300CH
203300BE/203300GY/203300R

Oxford Mud Room Utility Bench



Assembly Instructions

We have designed our furniture with you, the customer in mind. Our clear, easy to follow step by step instructions will guide you through the project from start to finish.

Feel confident that this will be a fun and rewarding project. The final product will be a quality piece of furniture that will go together smoothly and give years of enjoyment.



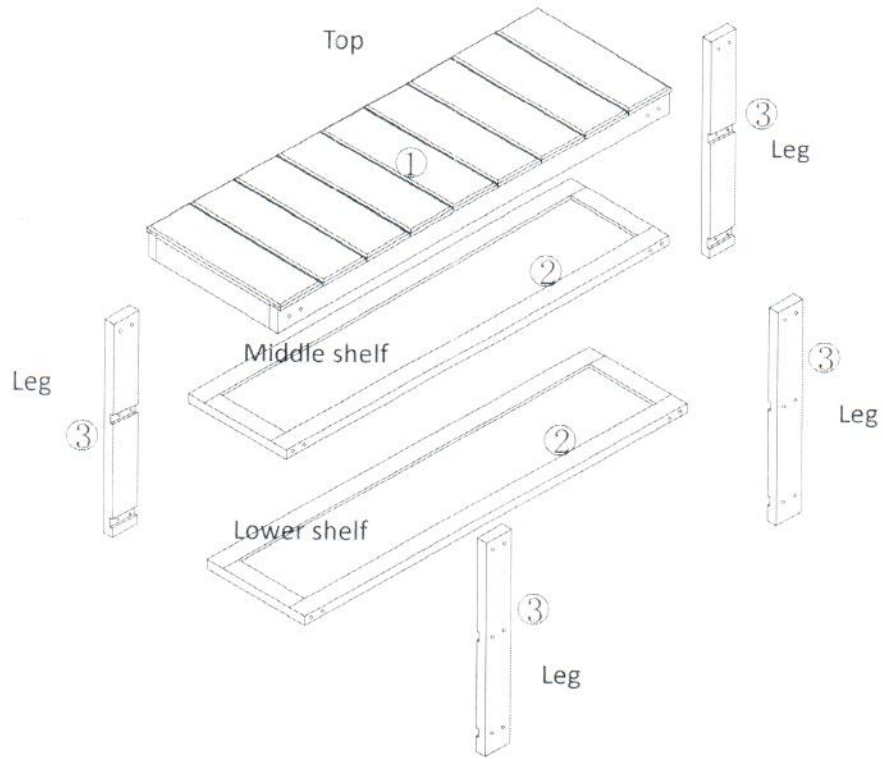
Please do not return to the store

. Broken or missing Hardware?

. Need help with Assembly?

If you have any questions just call 1-800-468-6447 or email us at parts@convenience-concepts.com

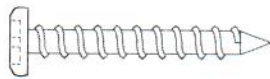
Parts



Hardware



A x 8
Bolts



B x 16
Screws



C x 8
Washers



D x 8
Nuts



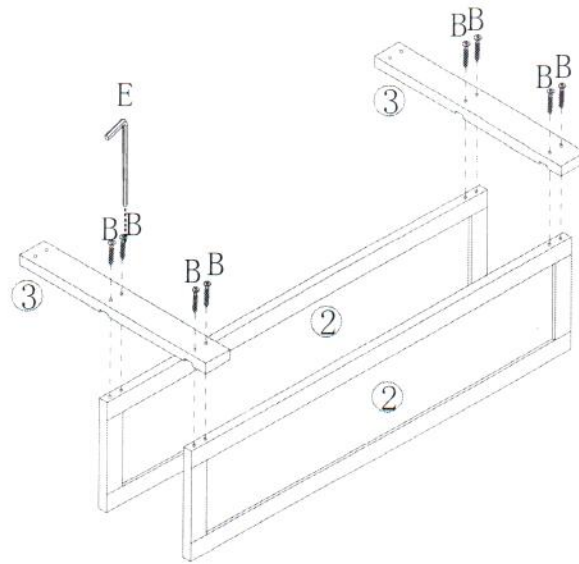
E
Allen Wrench



F
Wrench

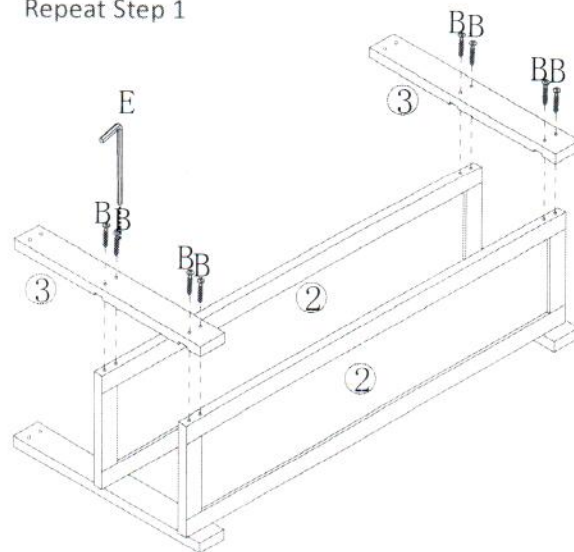
Step 1

Attach legs (3) to middle and lower shelves (2) using screws (B).



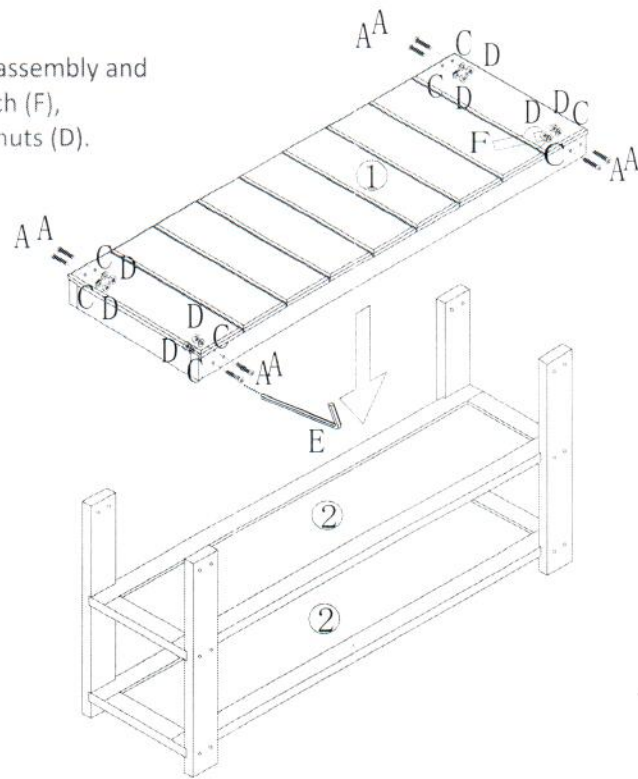
Step 2

Repeat Step 1



Step 3

Place top (1) onto assembly and secure using wrench (F), with bolts (A) and nuts (D).



Step 4

Enjoy!

