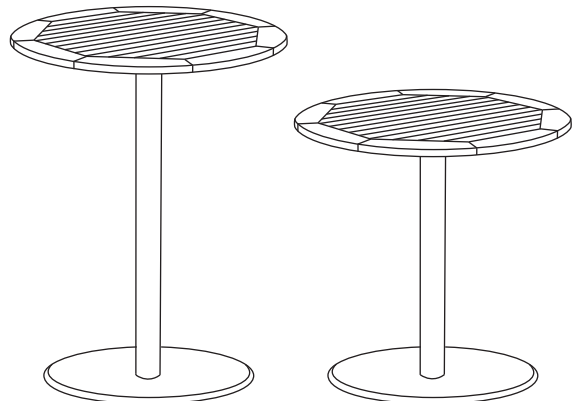
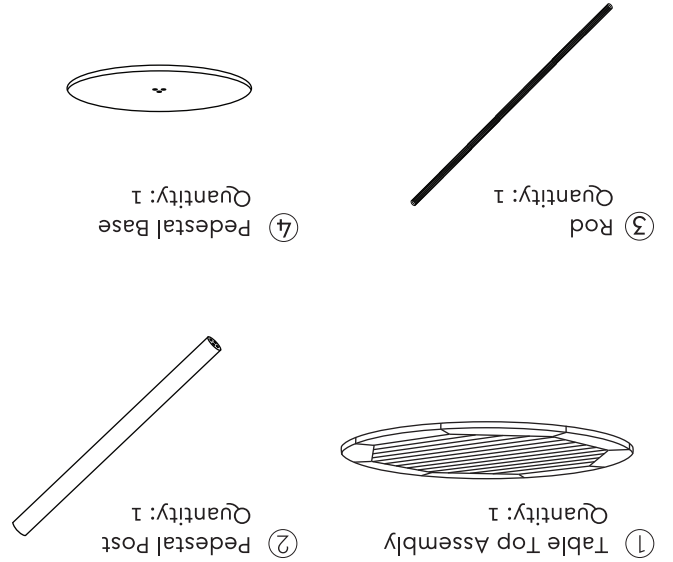


TRAVIRA PEDESTAL & POST TABLES

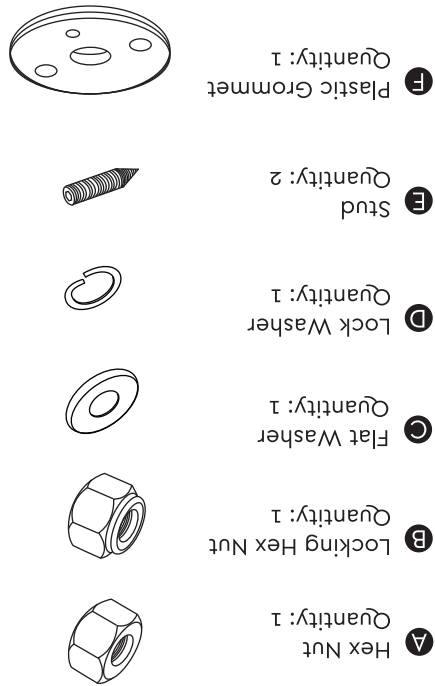
ASSEMBLY
INSTRUCTIONS



COMPONENTS



HARDWARE



NOTE: Table top, post and or base may vary from illustrations but the assembly is the same for all Travira bar & bistro tables.
17" base fits 24" table tops and 32" round bistro tables. 23" base fits 32" round and square bar tables and 36" round and square bar and bistro tables.

15 Kingbrook Parkway, Suite 100
Simpsonville, KY 40067
p. 877.866.3331 f. 502.719.8888
oxfordgarden.com

INSTRUCTIONS

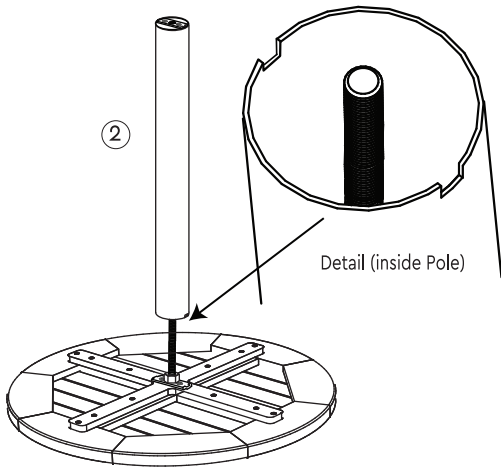
STEP 1

Thread one of the hex nut **A** onto one end of rod **3** about one inch.



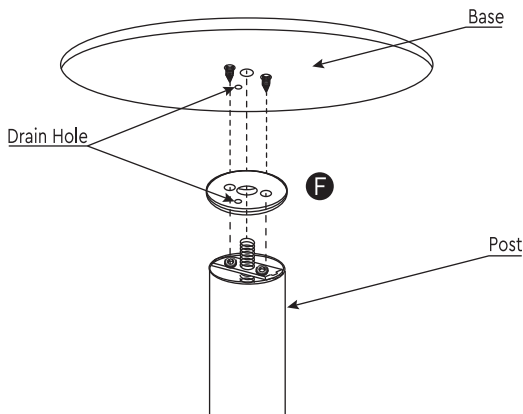
STEP 3

Slide pedestal post **2** over the rod and align notches with small plate on bottom of table as shown.



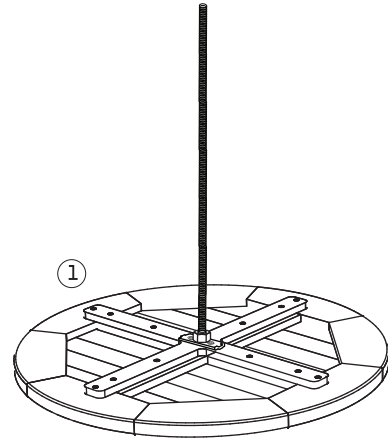
STEP 5

Place plastic grommet **F** over threaded rod aligning two holes with the holes in the post. NOTE: Align small drain with drain hole in base. Next, carefully place the pedestal base over the post making sure to line up the studs with the holes in the plate as shown.



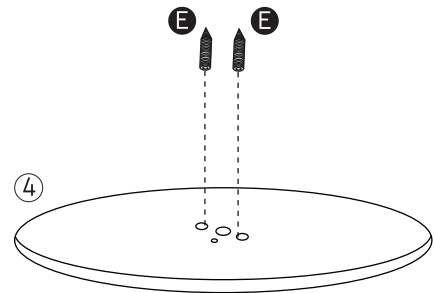
STEP 2

Thread rod into table top **1** snugly until you feel it hit the table top. NOTE: Do not over tighten in this step. Once you feel the rod is snug, reverse the rod about one half a turn. Tighten hex nut securely with wrench.



STEP 4

Next, thread the studs **E** into the base **4** with the flat head facing down and pointed head facing up. NOTE: Thread the stud only until it is flush with the bottom of the base.



STEP 6

Insert flat washer **C**, lock washer **D** and locking hex nut **B** over the rod and secure tightly using wrench.

