

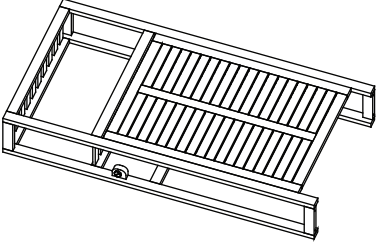
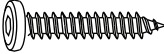
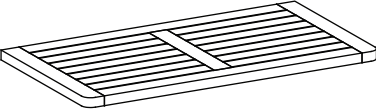


**CARE AND MAINTENANCE**

Spot clean using a mild water-free solvent. Only a professional cleaner should undertake a complete overall cleaning.  
The use of steam or water-based cleaners may cause excessive shrinking or staining.

**NOTICE**

- \* Please make sure all parts are included before you begin assembly of this item.
- \* This item should be assembled on a soft surface to prevent scratching the finish during assembly
- \* This item may require periodic tightening

**Parts List and Hardware List**

ID	PICTURE & DESCRIPTION	Q.tys	ID	PICTURE & DESCRIPTION	Q.tys
A	 SHELF FRAME	1X	M1		4X
B	 BASE	1X	M2		1X
C	 CHAIRS	2X			

 **SAFAVIEH**  
**OUTDOOR**

Item# PAT6756

Product dimensions: 13,80"W x 25.6"D x 50,39"H

ASSEMBLY INSTRUCTIONS FOR SAFAVIEH  
GRIFFEN BALCONY DINNING CABINET  
THE DESIGN OF GRIFFEN BALCONY DINNING CABINET IN  
THE DRAWINGS MAY VARY FROM ACTUAL, BUT ASSEMBLY CAN  
BE APPLIED FOR THIS ITEM



**WARNING**



Weight Capacity: 220 lbs

WARNING: DO NOT STAND ON CHAIR

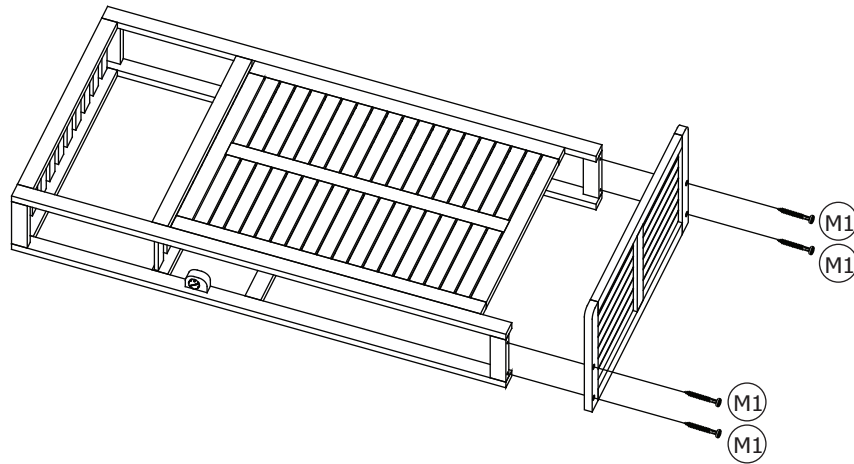
WARNING: DO NOT OVER TORQUE BOLTS/SCREWS

## PREPARATION

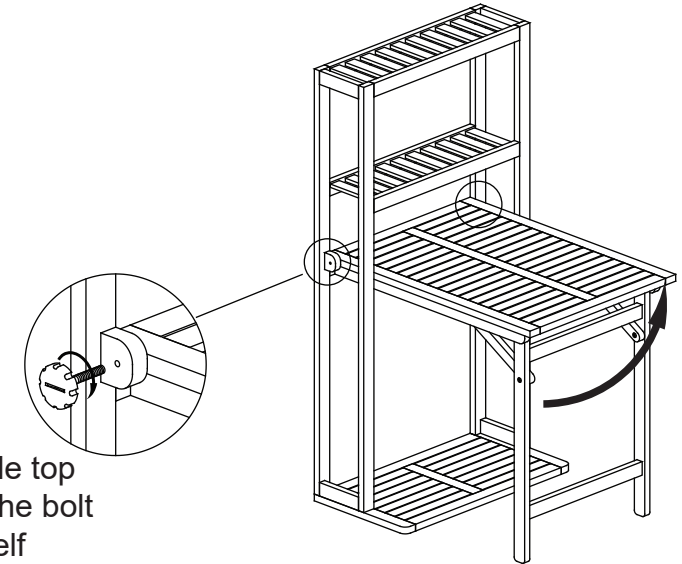
Before beginning assembly of product, make sure all parts are present. Compare parts with package contents list and hardware contents list. If any part is missing or damaged, do not attempt to assemble the product.

Estimated Assembly Time: 10 minutes.

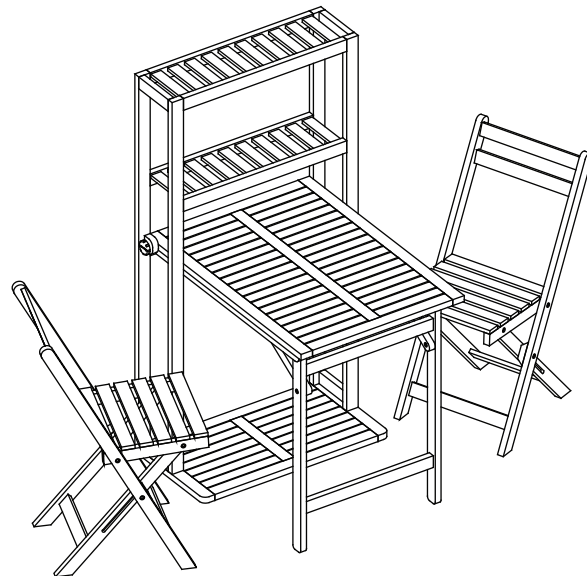
Tools Required for Assembly: Allen Key (included)



Step 1: Fix the base to low balcony frame as shown, then secure using screw (M1). Fully tighten using allen key (M2)



Step 2: Rotating the table top to upright, then tighten the bolt to fix table top to the shelf



Step 3: place these chairs as shown



The assembly is now completed.