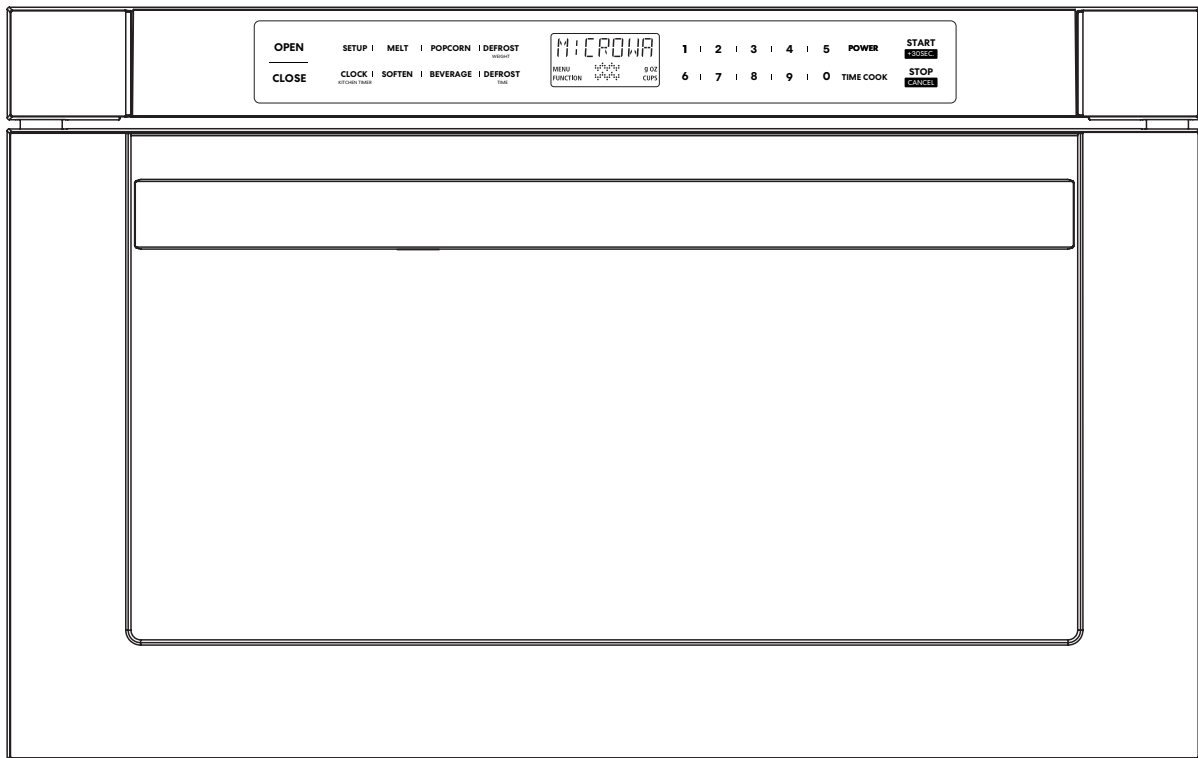




Microwave Drawer

COS-12MWDSS



24 in. Built-In Microwave Drawer

Installation Manual

IMPORTANT: Read and save these instructions.

NOTICE:

Installer: Leave this guide with the homeowner

Homeowner: Keep this guide for future reference

THANK YOU FOR YOUR PURCHASE

Thank you for your purchase. We know that you have many brands and products to choose from and we are honored to know that you have decided to take one of our products into your home and hope that you enjoy it.

COSMO Appliances are designed according to the strictest safety and performance standard for the North American market. We follow the most advanced manufacturing philosophy. Each appliance leaves the factory after thorough quality inspection and testing. Our distributors and our service partners are ready to answer any questions you may have regarding how to install, use and care for your products. We hope that this manual will help you learn to use the product in the safest and most effective manner.

Before using this product, please read through this manual carefully. Keep this installation manual in a safe place for future reference. Please ensure that other persons using this product are familiar with these instructions as well.

If you have any questions or concerns, please contact the dealer from whom you purchased it, or contact our Customer Support at:

1-888-784-3108.

TABLE OF CONTENTS

- SAFETY & WARNINGS4**
 - Unpacking Your Microwave Drawer4
 - Important Notes to the Installer4
 - Important Notes to the Consumer4
- CLEARANCES & DIMENSIONS5**
 - Microwave Drawer Measurements5
- INSTALLATION6-7**
 - Anti-Tip Block6
 - Electrical Outlet6
 - Grounding Instructions6
 - Electrical Outlet6
 - Drawer Installation7
- MODEL & SERIAL NUMBER LOCATION7**
- WARRANTY & SERVICE8-9**



SAFETY & WARNINGS

INSTALLATION AND SERVICE **MUST** BE PERFORMED BY A QUALIFIED INSTALLER. Save this installation manual for local electrical inspector's use. Read and save these instructions for future use.

For safety considerations, do not install drawer in any combustible cabinetry, which is not in accord with the stated clearances and dimensions on Pages 5-6 (See **Figure 1**).

UNPACKING YOUR MICROWAVE DRAWER

- Remove all packing materials from inside the Microwave Drawer. DO NOT REMOVE THE WAVEGUIDE COVER, which is located on the top of the Microwave Drawer.
- Remove the feature sticker, if there is one
- Check the drawer for any damage, such as misaligned or bent drawer, damaged drawer seals and sealing surfaces, broken or loose Microwave Drawer guides and dents inside the cavity or on the front side of the drawer.
- **If there is any damage, do not operate the Microwave Drawer and contact your dealer or an AUTHORIZED SERVICER.**

IMPORTANT NOTES TO THE INSTALLER

- Read all of the Installation Manual before installing the Microwave Drawer.
- Remove all packing material before connecting the electrical supply.
- Observe all governing codes and ordinances.
- Be sure to leave these instructions with the consumer.

IMPORTANT NOTES TO THE CONSUMER

- Keep this manual with your Operation Manual for future reference.
- As when using any microwave oven generating heat, there are certain safety precautions you should follow. These are listed in the Operation Manual. Read all and follow carefully.
- Be sure your Microwave Drawer is installed and grounded properly by a qualified installer or service technician.

IMPORTANT SAFETY INSTRUCTIONS

WARNING If the information in this manual is not followed exactly, a fire or electrical shock may result that could cause property damage, personal injury or death.

WARNING To reduce the risk of tipping, the Microwave Drawer must be secured by a properly installed Anti-Tip block.

- This Microwave Drawer must be electrically grounded in accordance with local codes.
- Make sure the wall coverings and the cabinets around the Microwave Drawer can withstand the heat generated by the Microwave Drawer.

WARNING Never leave children alone or unattended in the area where a Microwave Drawer is in use. Never leave the drawer open when the microwave is unattended.

WARNING Stepping, leaning or sitting on the drawer may result in serious injuries and can also cause damage to the Microwave Drawer.

- Do not use the Microwave Drawer as a storage space. This creates a potentially hazardous situation.
- Check that the time-of-day is in the display. IF not, touch Stop/Clear to prevent unintended use.

CLEARANCES & DIMENSIONS

- Dimensions that are shown in **Figure 1** must be used. Given dimensions provide minimum clearance. Locate electrical outlet in the shaded area in the upper left-hand corner of the cutout. See **Figure 3**.

- Contact surface must be solid and level. Pay special attention to the floor on which the Microwave Drawer will sit. The floor of the opening should be constructed of plywood strong enough to support the weight of the oven (about 100 pounds).

- Check location where the Microwave Drawer will be installed for proper electrical supply.

- Your oven can be built into a cabinet or wall by itself or under a gas or electric wall oven.

- Be sure that the clearance of the floor between the wall oven and the microwave drawer is a minimum of 2 inches.

- The microwave interior will easily accommodate a 9" x 13" oblong dish or a bag of microwave popcorn.

MICROWAVE DRAWER MEASUREMENTS

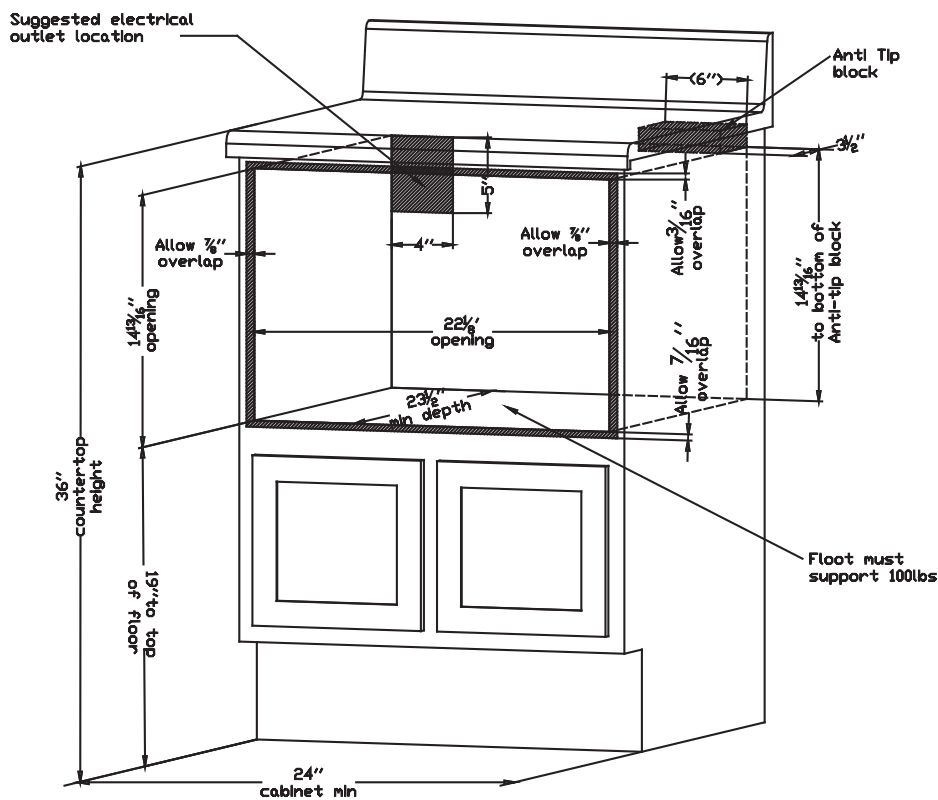


Figure 1

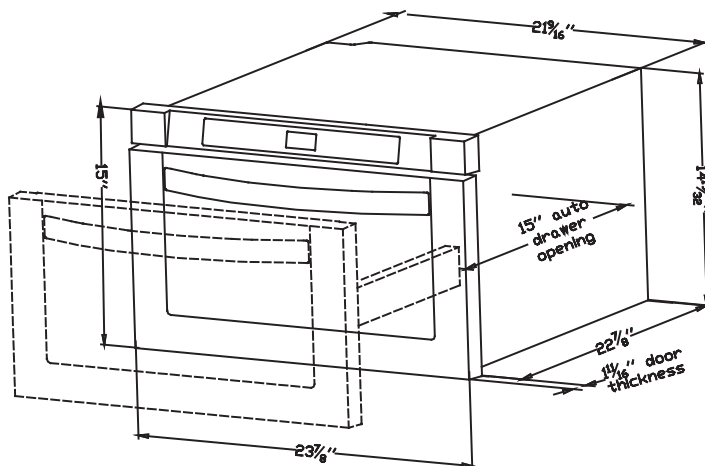


Figure 2

Figures 1 and Figure 2 contain many Microwave Drawer measurements for reference when planning the drawer's location. This Microwave Drawer can be installed below any electric or gas wall oven.

*Can also be installed using an electrical outlet in an adjacent cabinet within the area where tire provided electrical cord can reach. Power cord access hole in cabinet should be a minimum 1 1/2" diameter hole and debarred of all sharp edges.

IMPORTANT Always allow sufficient power cord length to the electrical outlet to prevent tension. Always check electrical codes for requirements.

INSTALLATION

ANTI-TIP BLOCK

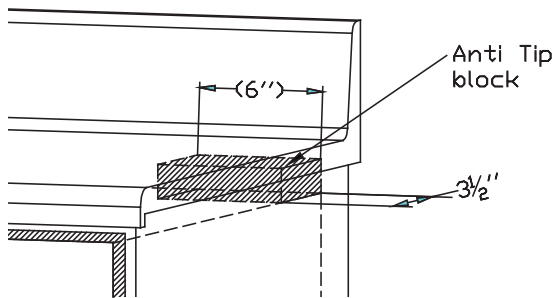


Figure 3

NORMAL INSTALLATION STEPS ANTI-TIP BLOCK INSTALLATION INSTRUCTIONS

To reduce the risk of tipping of the drawer, the Anti-Tip block must be properly installed located **14 13/16 inches** above the floor on which the Microwave Drawer will sit. The **6 inch** Anti-Tip block must be provided by the installer. See **Figures 1 and 3**. The Anti-Tip block prevents serious injury that might result from spilled hot liquids.

If the Microwave Drawer is ever moved to a different location, the Anti-Tip block must also be moved and installed. When installed to the wall make sure that the screws completely penetrate the dry wall and are secured in wood or metal so that the block is totally stable. When fastening, be sure that the screws do not penetrate electrical wiring or plumbing.

GROUNDING INSTRUCTIONS

This appliance must be grounded. The Microwave Drawer is equipped with a cord having a grounding wire with a grounding plug. It must be plugged into a wall receptacle that is properly installed and grounded in accordance with the National Electrical Code and local codes and ordinances. In the event of an electrical short circuit, grounding reduces risk of electric shock by providing an escape wire for the electric current.

ELECTRICAL OUTLET

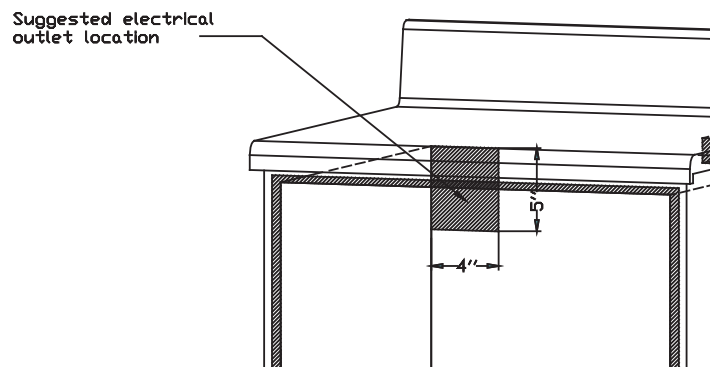


Figure 4

The electrical requirements are a **120 Volt, 60 Hz, AC only, 15 amp or more** protected electrical supply. It is recommended that a separate circuit serving only this appliance be provided.

The drawer is equipped with a 3-prong grounding plug. It must be plugged into a wall receptacle that is properly installed and grounded. Should you only have 2-prong outlet, have a qualified electrician install a correct wall receptacle.

NOTE: If you have any questions about the grounding or electrical instructions, consult a qualified electrician or service person.

*Can also be installed using an electrical outlet in an adjacent cabinet within the area where the provided electrical cord can reach. **Always check electrical codes for requirements.**

WARNING

Improper use of the grounding plug can result in a risk of electric shock. Do not use an extension cord. If the power supply cord is too short, have a qualified electrician or service person install an outlet near the appliance.

INSTALLATION

DRAWER INSTALLATION

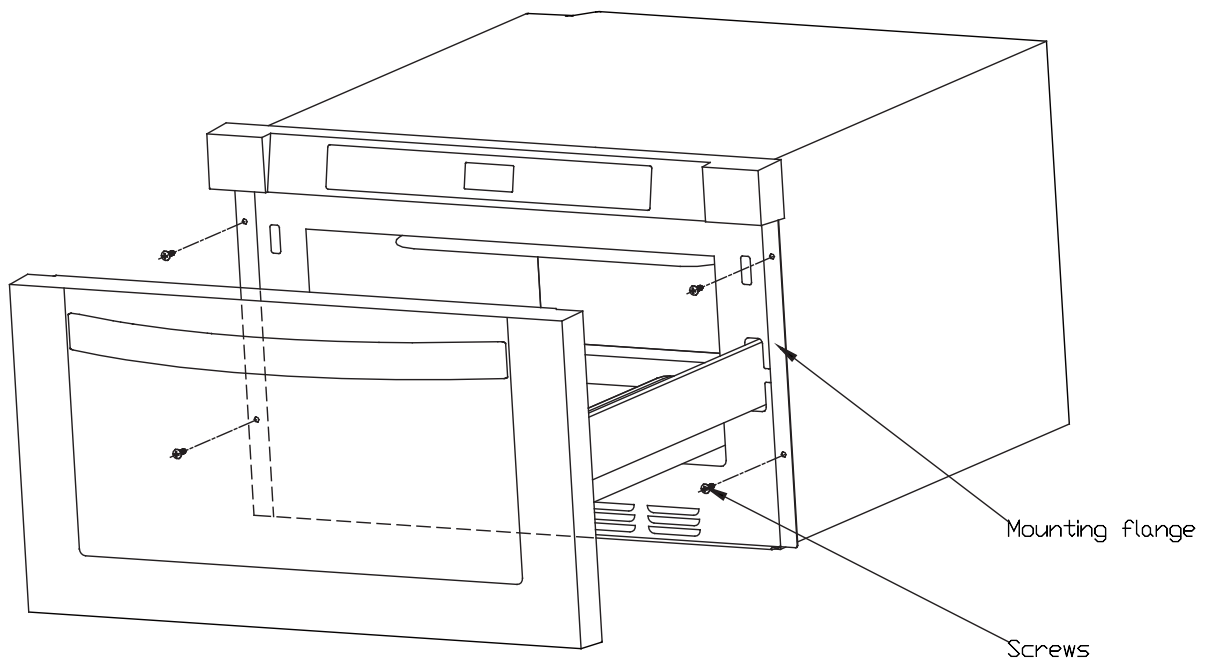
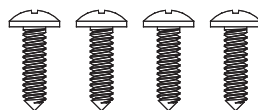


Figure 5

1. Place the drawer adjacent to the wall or cabinet opening. Plug the power supply cord into the electrical outlet.
2. Carefully guide the drawer into the prepared opening. Avoid pinching the cord between the oven and the wall.
3. Slide the drawer all the way until the mounting flange is flush with the face of the cabinet. See **Figure 5**.
4. Open the drawer. Using the 4 holes on the drawer as a template, pre-drill the cabinet using a 1/16" bit. See **Figure 5**.
5. Secure the drawer with the 4 screws supplied. See **Figure 6**.



4 Screws

Figure 6

MODEL AND SERIAL NUMBER LOCATION

The name plate includes model and serial number. Open the Microwave Drawer fully. The label is beyond the back wall of the microwave cavity facing up from the flat surface.

WARRANTY AND SERVICE

For full warranty details on this product please visit:
<http://www.cosmoappliances.com/warranty>

TO RECEIVE WARRANTY SERVICE, YOUR
PRODUCT MUST BE REGISTERED. TO REGISTER, VISIT:

WWW.COSMOAPPLIANCES.COM/WARRANTY

SCAN TO REGISTER



IMPORTANT

Do Not Return This Product To The Store If
you have a problem with this product, please contact

Cosmo Customer Support at

+1(888)784-3108

DATED PROOF OF PURCHASE, MODEL #, AND SERIAL #
REQUIRED FOR WARRANTY SERVICE

IMPORTANT

Ne pas Réexpédier ce Produit au Magasin
Pour tout problème concernant ce produit, veuillez contacter
le service des consommateurs Cosmo Customer Support au

+1(888) 784-3108

UNE PREUVE D'ACHAT DATEE EST REQUISE POUR BENEFICIER DE
LA GARANTIE.

IMPORTANTE

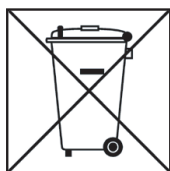
No regrese este producto a la tienda
Si tiene algún problema con este producto, por favor contacte el
AYUDA AL CLIENTE COSMO al

+1(888)784-3108

(Válido solo en E.U.A).

NECESITA UNA PRUEBA DE DE COMPRA FECHADA, NÚMERO DE
MODELO Y DE SERIE PARA EL SERVICIO DE LA GARANTÍA

Correct Disposal of this product:



This marking indicates that this appliance should not be disposed with other household wastes. To prevent possible harm to the environment or human health from uncontrolled waste disposal, recycle it responsibly to promote the sustainable reuse of material resources.



APPLIANCES

Cosmo is constantly making efforts to improve the quality and performance of our products, so we may make changes to our appliances without updating this manual.

Electronic version of this manual is available at:
www.cosmoappliances.com